

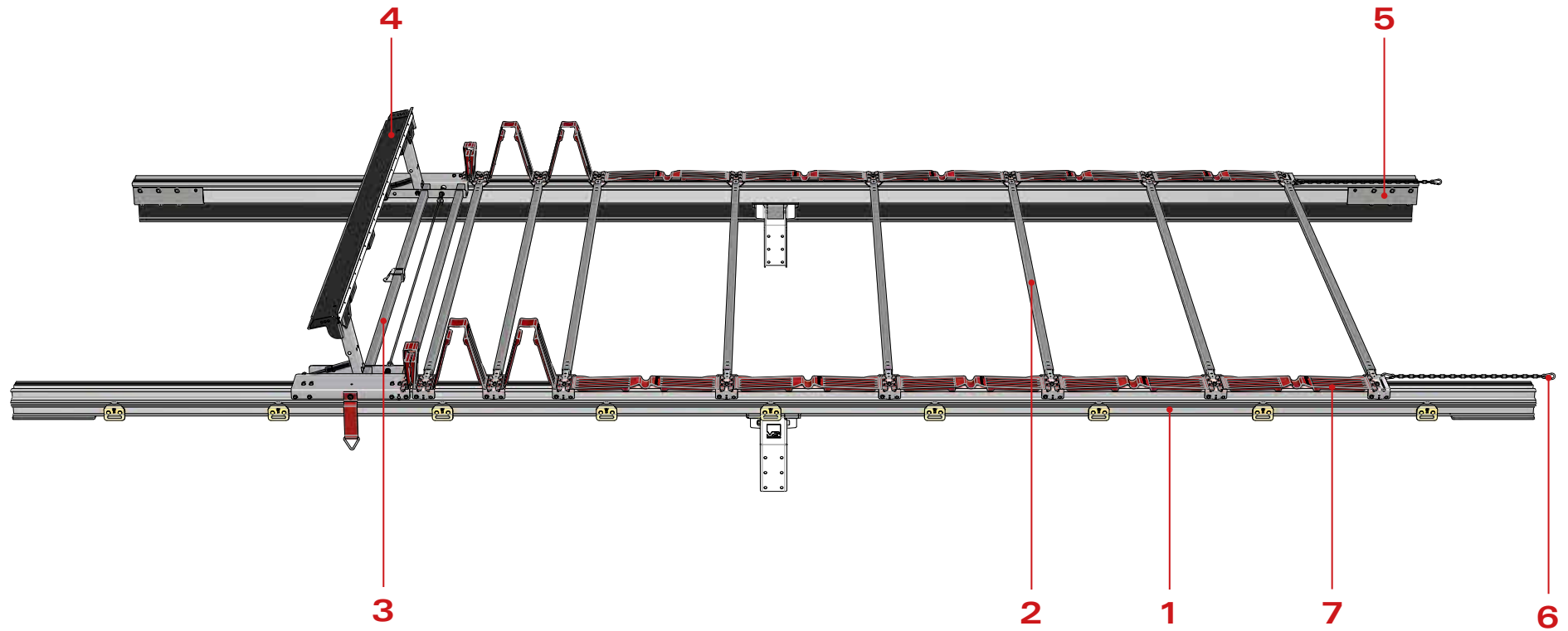


Revision: 01-10-19

Versus-omega preserves the right to alter parts and drawings at all times. Check online for the most recent updated versions.

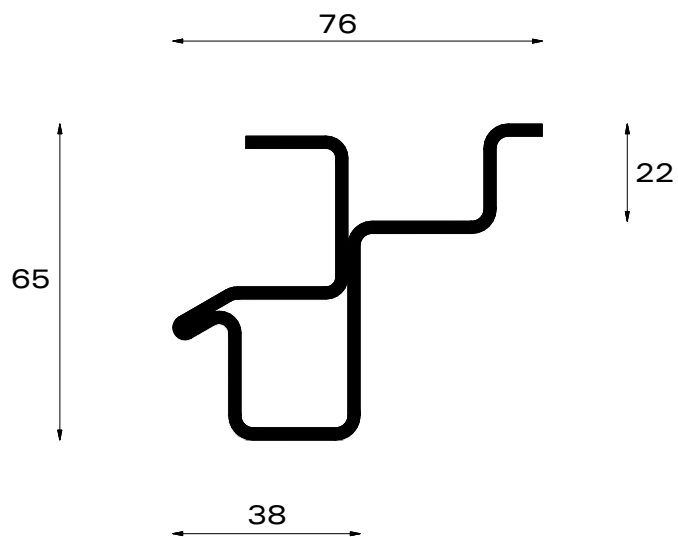


Versus



1	Ferro rail	5	Set mounting plates
2	Roof stick	6	Set accessories
3	Collapsible backside	7	Folding plate
4	Back beam	8	Pull bar

1 Ferro rail SS



PART NR.

L = 7m 162-09700

$I_x : 22\text{cm}^4$
 $I_y : 20\text{cm}^4$
 $\pm 4,6 \text{ kg/m}$

2 Roof stick for sliding roof

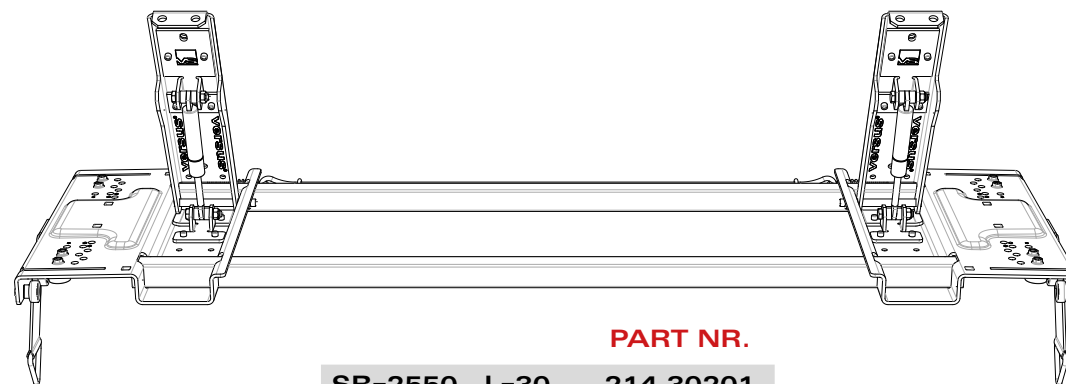


PART NR.

SB=2550 - Type SP 224-30001

SB=2550 - Type AS (Al) 224-33001

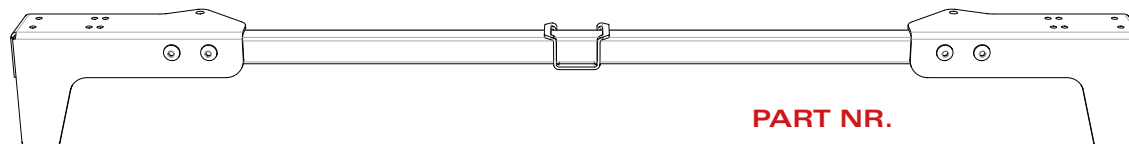
3 Collapsible backside



PART NR.

SB=2550 - L=30 214-30201

4 Back beam

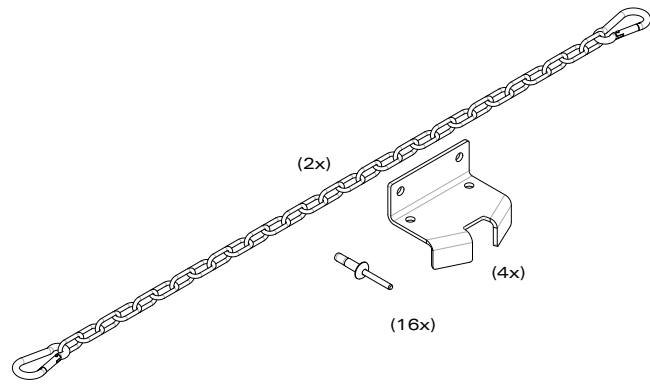


PART NR.

Set back beam tube 30x30mm 144-10037

Tube 30x30x2mm 112-07001

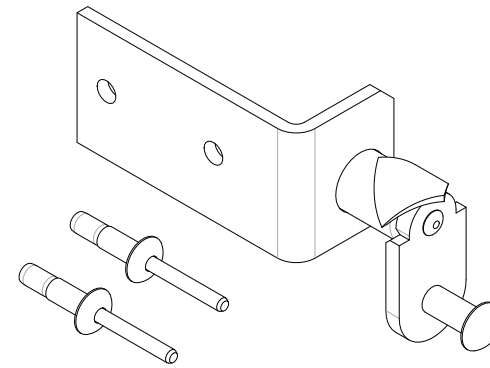
6a Set accessories



PART NR.

Set	144-10034
-----	-----------

6b Set lock collapsible backside

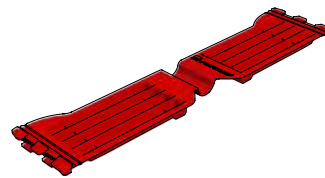


PART NR.

Set left	144-10008
----------	-----------

Set right	144-10009
-----------	-----------

7 Folding plate



PART NR.

Type 400	242-01004
----------	-----------

Type 500	242-01005
----------	-----------

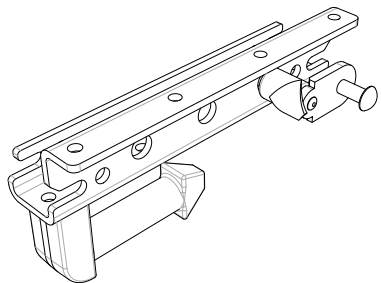
Type 600	242-01006
----------	-----------

Type 700	242-01007
----------	-----------

Type 570	242-01057
----------	-----------

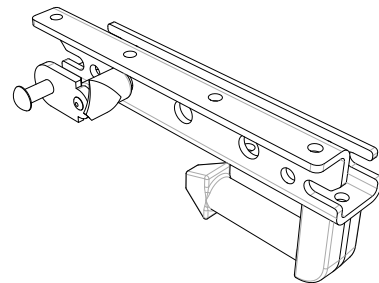
Type 650	242-01065
----------	-----------

Connection sets



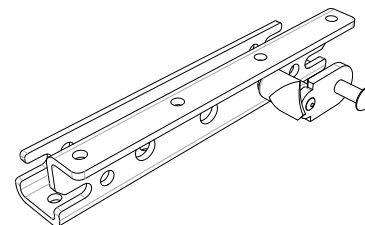
PART NR.

Left 153-30001



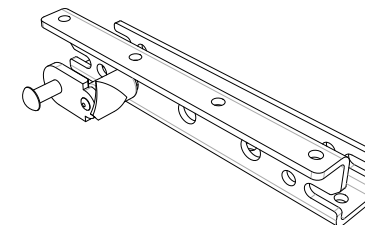
PART NR.

Right 153-30002



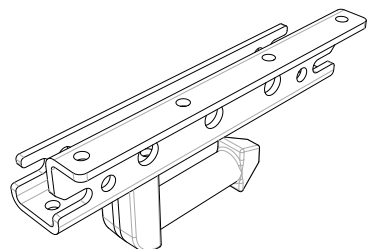
PART NR.

Left 153-30008



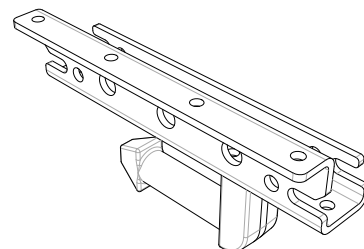
PART NR.

Right 153-30009



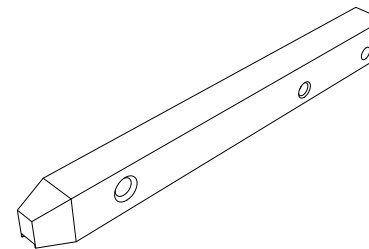
PART NR.

Left 153-30008



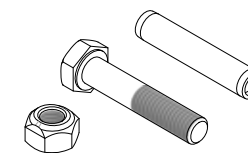
PART NR.

Right 153-30009



PART NR.

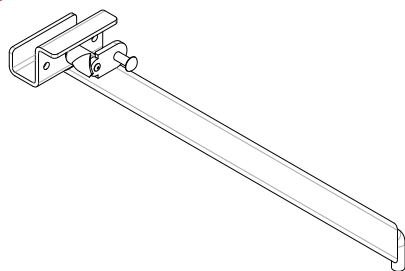
Pin 152-30003



PART NR.

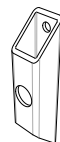
Set 144-10059

Support



PART NR.

Left 153-05001

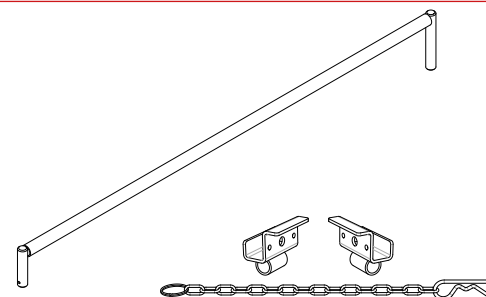


PART NR.

152-05001

Right 153-05002

Stabilizing bar

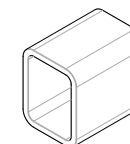


PART NR.

Bar 2550 153-04001

Set 144-10050

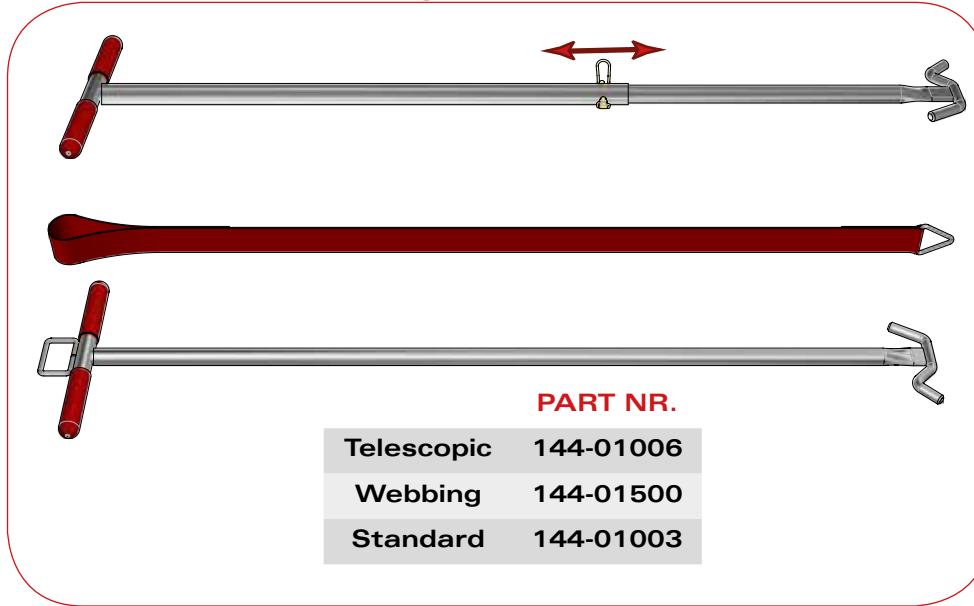
Pillar adapter



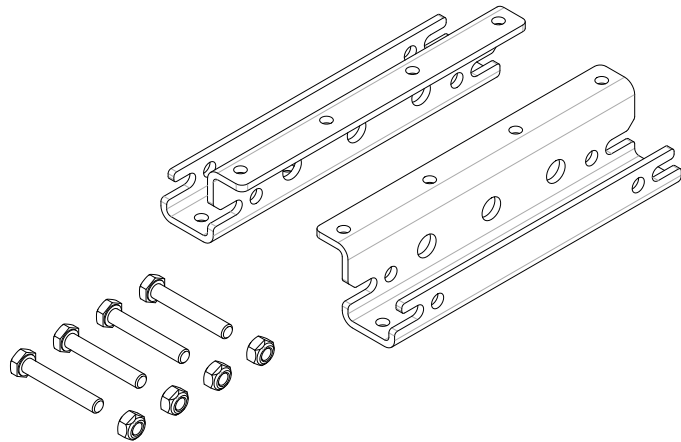
PART NR.

262-30001

8 Pull bars & webbing

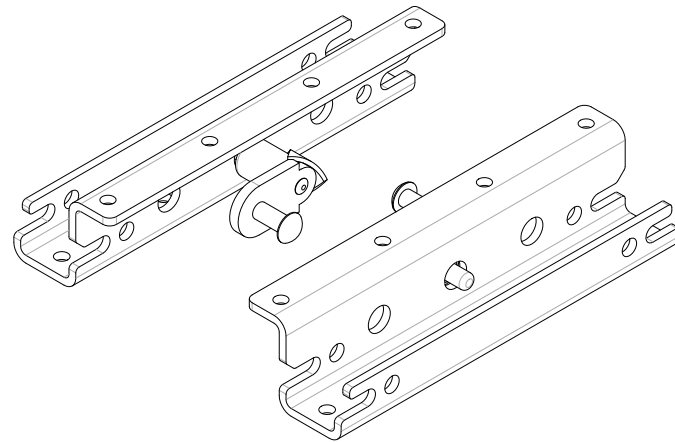


5a Set mounting plates front



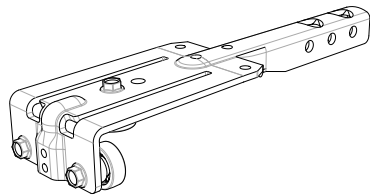
PART NR.
144-10036

5b Set mounting plates rear



PART NR.
153-30005

For roof sticks



Assembled bracket

PART NR.

174-30001



Roller bearing plastic

PART NR.

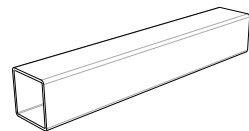
132-01001



Bolt tensilock M6x16mm

PART NR.

091-23001

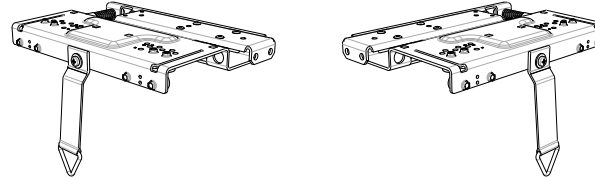


Tube 30x30x1,5mm

PART NR.

L = 2185mm 112-01003

For collapsible backside

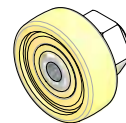


Assembled carrier

PART NR.

Left 204-30201

Right 204-30202



Roller bearing steel

PART NR.

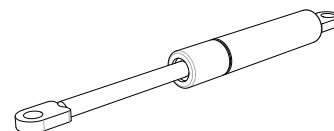
132-03001



Bolt tensilock M6x16mm

PART NR.

091-23001

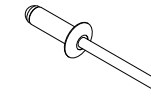


Gas spring 700N

PART NR.

302-01001

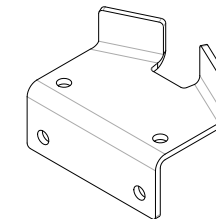
For accessories set



Rivet

PART NR.

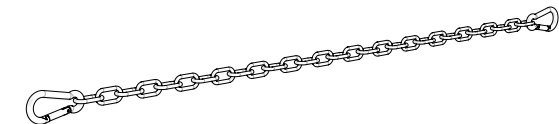
091-01001



Locking nose

PART NR.

142-05011



Chain with 2 hooks

PART NR.

142-07001



Versus-Omega

Nijverheidslaan 1527a
B-3660 Oudsbergen
Belgium

t. +32 89 320 190
f. +32 89 320 199
e. info@versus-omega.com
w. www.versus-omega.com

