



◆ : HYDRAMAN

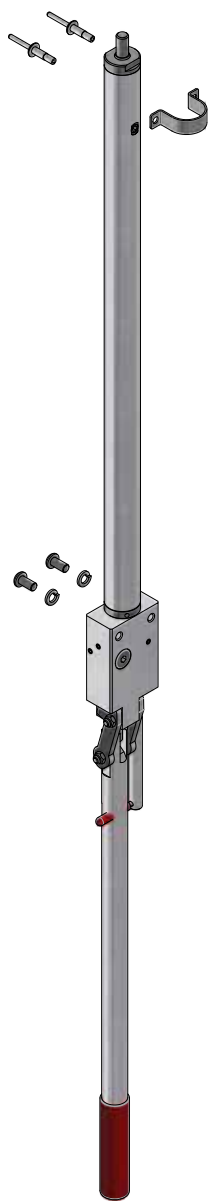
Vs



axceshydraman

lifting systems by versus





Hydraman 500 **PART NR. 802-01007**

- * Each Hydraman-pump must be combined with a set connect Hydraman or set lift & drive Hydraman.
- ** The oil we recommend to use = HLP 46 or HLP 68.
- *** The mounting set for the pump is included in the set connect Hydraman (144-10095) or in the set lift & drive Hydraman (144-10109).
- **** Maximum pressure 250 bar and maximum weight per pillar 250 kg.

◆ : SET CONNECT



Hydraman
+ set connect Hydraman



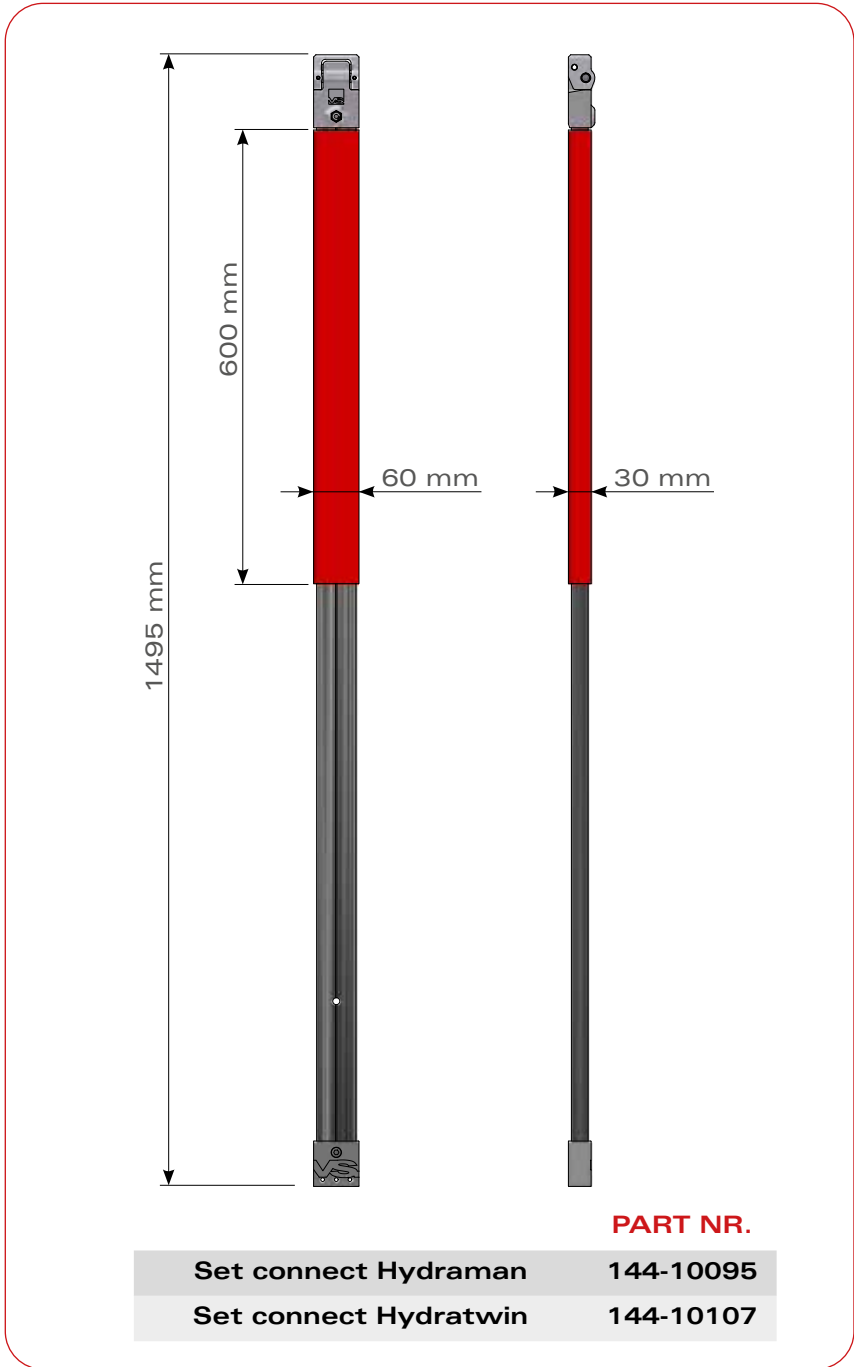
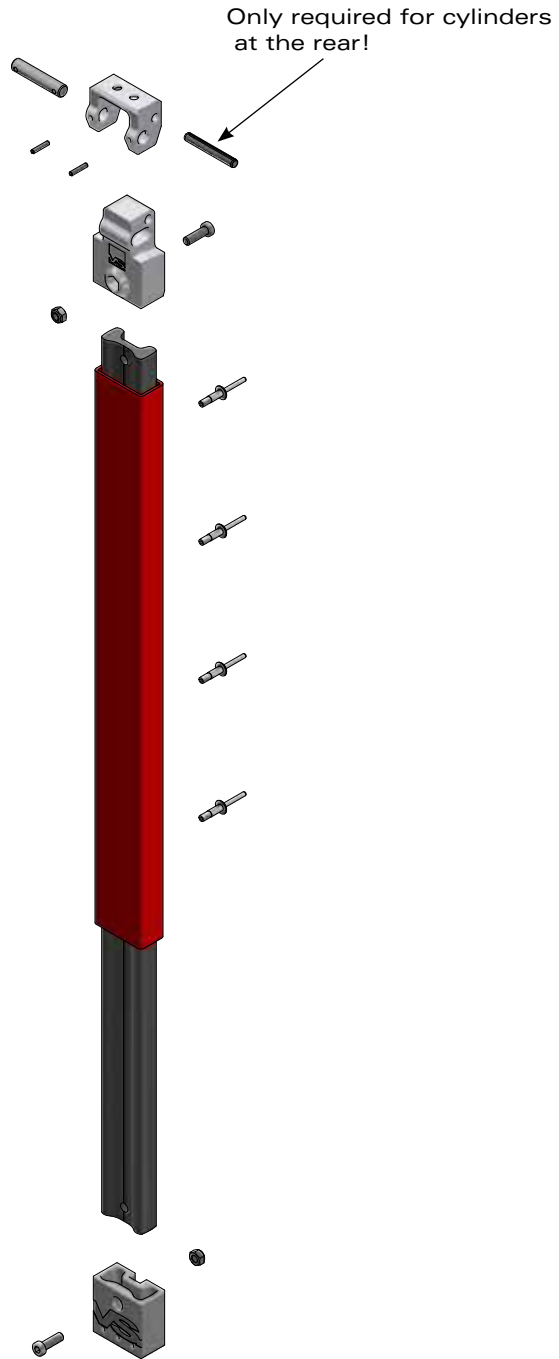
Hydratwin
+ set connect Hydratwin



Hydrumatic cylinder 500SE
+ set connect Hydraman



Hydrumatic cylinder 500DE
+ set connect Hydraman



* The mounting parts for Hydraman (pump), Hydratwin (pump + cylinder) and Hydramatic (cylinders SE + DE) are not visible in the pictures.

◆ : SET LIFT & DRIVE



Hydraman
+ set lift & drive Hydraman



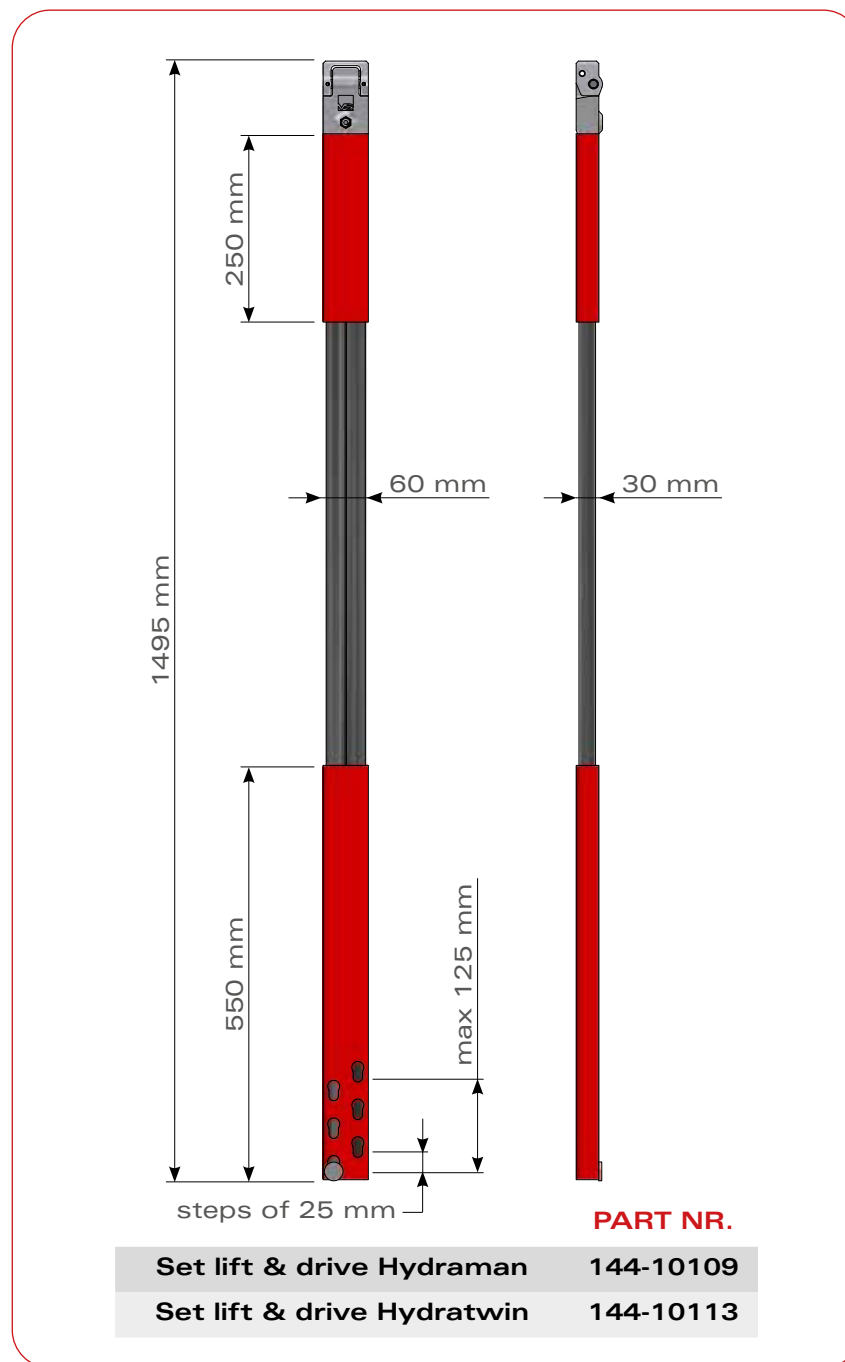
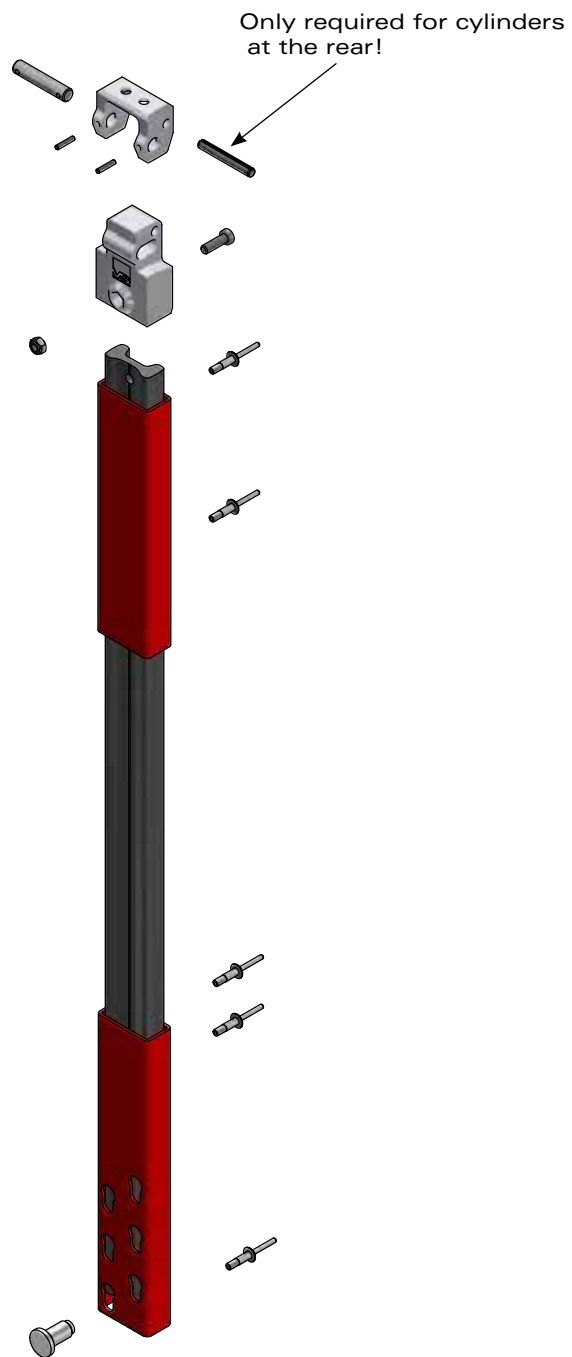
Hydratwin
+ set lift & drive Hydratwin



Hydramatic cylinder 500SE
+ set lift & drive Hydraman



Hydramatic cylinder 500DE
+ set lift & drive Hydraman



* The mounting parts for Hydraman (pump), Hydratwin (pump + cylinder) and Hydramatic (cylinders SE + DE) are not visible in the pictures.



Versus-Omega

Nijverheidslaan 1527a
B-3660 Oudsbergen
Belgium

t. +32 89 320 190
f. +32 89 320 199
e. info@versus-omega.com
w. www.versus-omega.com

