



◆ : HYDRATWIN

# Vs



# axceshydratwin

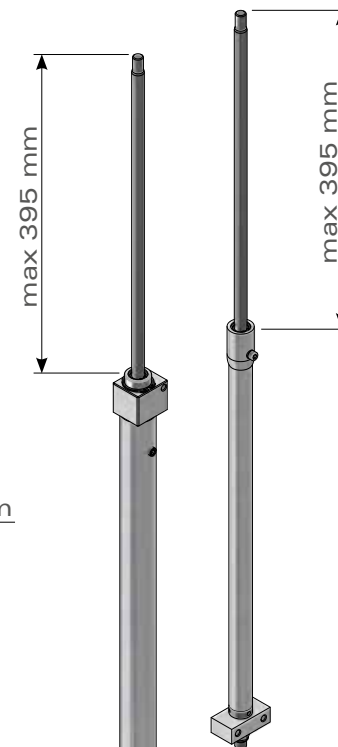
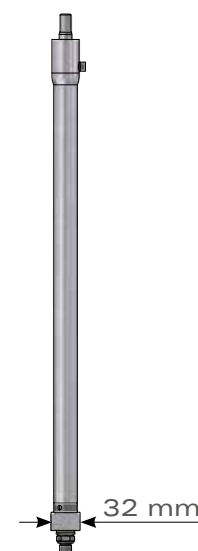
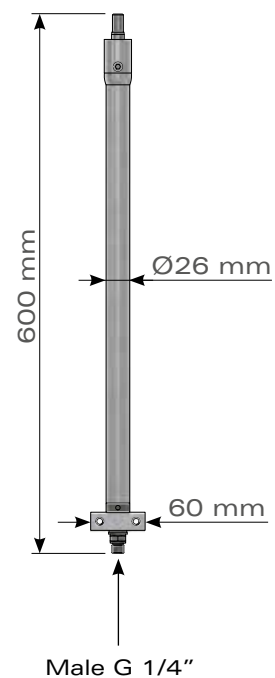
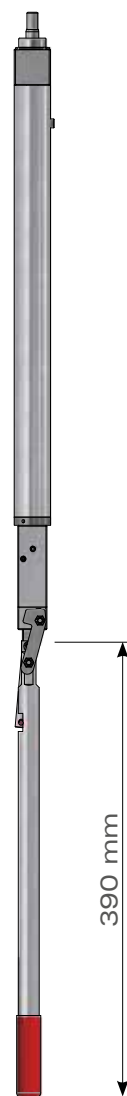
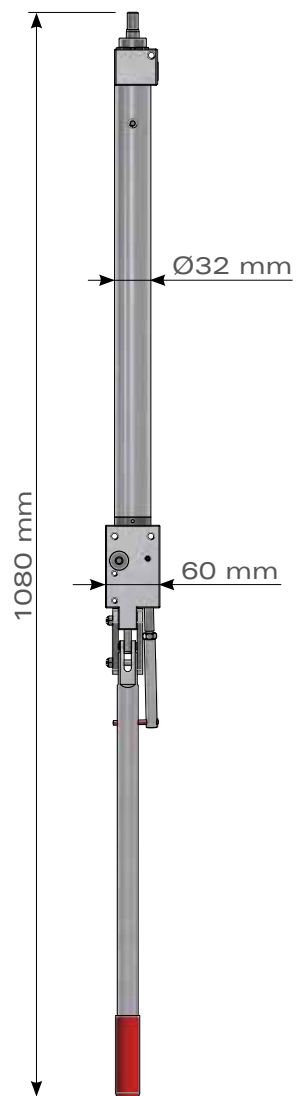
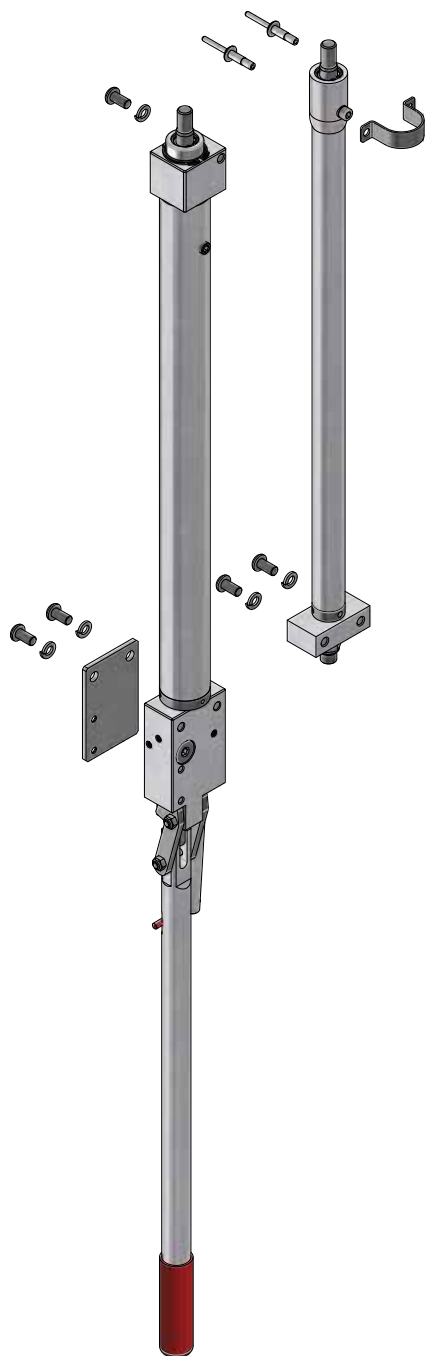
lifting systems by versus



The connector (2x male G 1/4" - 90°) is not supplied by Versus-Omega!



The oil duct is not supplied by Versus-Omega!



**PART NR.**

**Hydratwin pump + cylinder**

**144-10097**

- \* Each Hydratwin-pump & cylinder must be combined with a set connect Hydratwin or set lift & drive Hydratwin.
- \*\* The oil we recommend to use = HLP 46 or HLP 68.
- \*\*\* The mounting set for the pump & cylinder is included in the set connect Hydratwin (144-10107) or in the set lift & drive Hydratwin (144-10113).

◆ : SET CONNECT



**Hydraman  
+ set connect Hydraman**



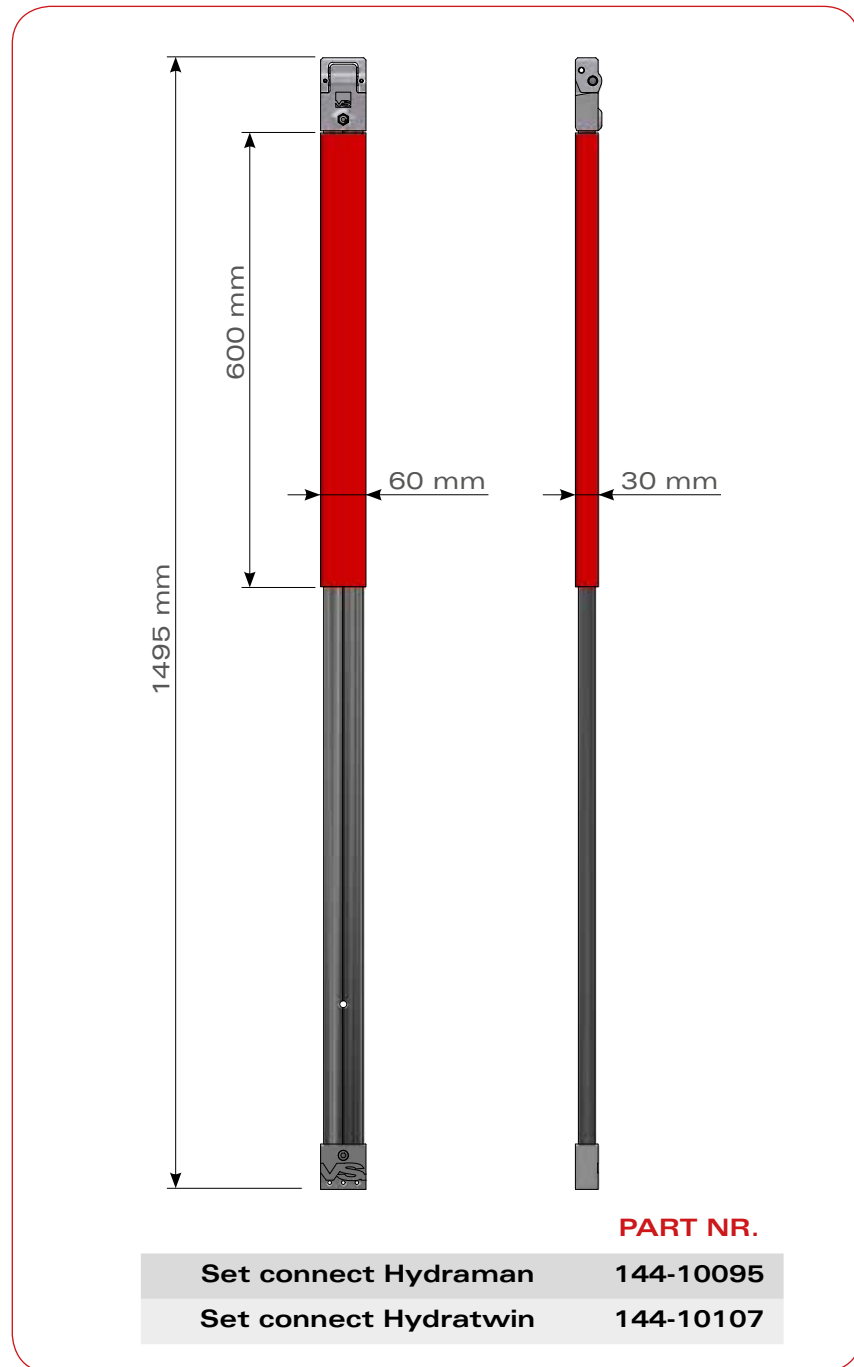
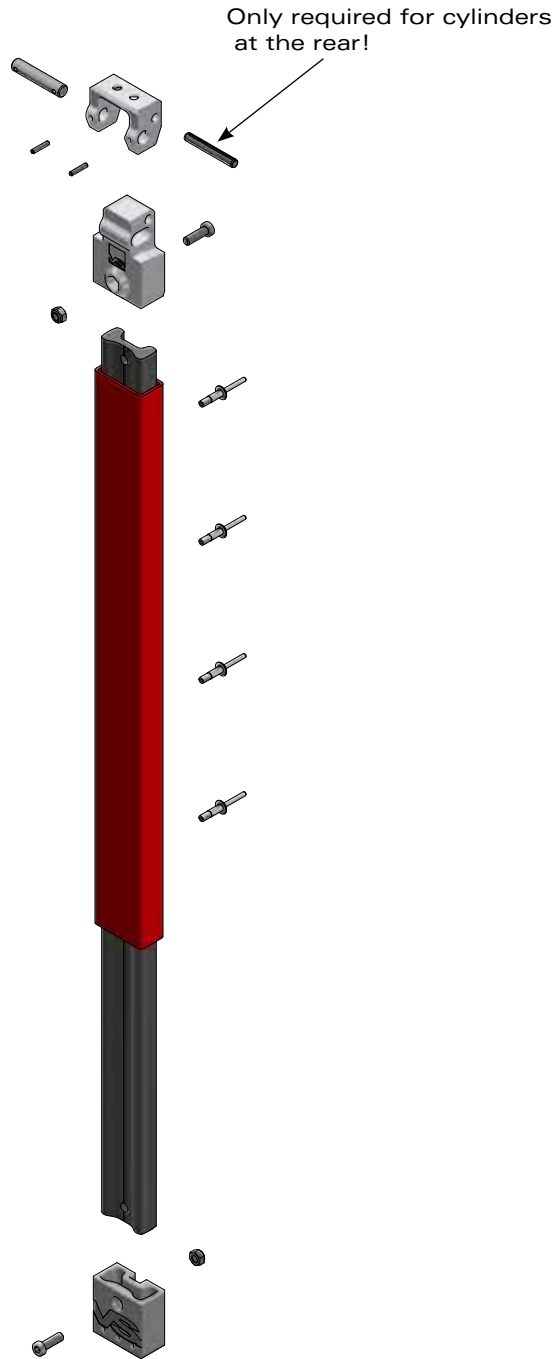
**Hydratwin  
+ set connect Hydratwin**



**Hydrumatic cylinder 500SE  
+ set connect Hydraman**



**Hydrumatic cylinder 500DE  
+ set connect Hydraman**



\* The mounting parts for Hydraman (pump), Hydratwin (pump + cylinder) and Hydramatic (cylinders SE + DE) are not visible in the pictures.

◆ : SET LIFT & DRIVE



**Hydraman**  
+ set lift & drive Hydraman



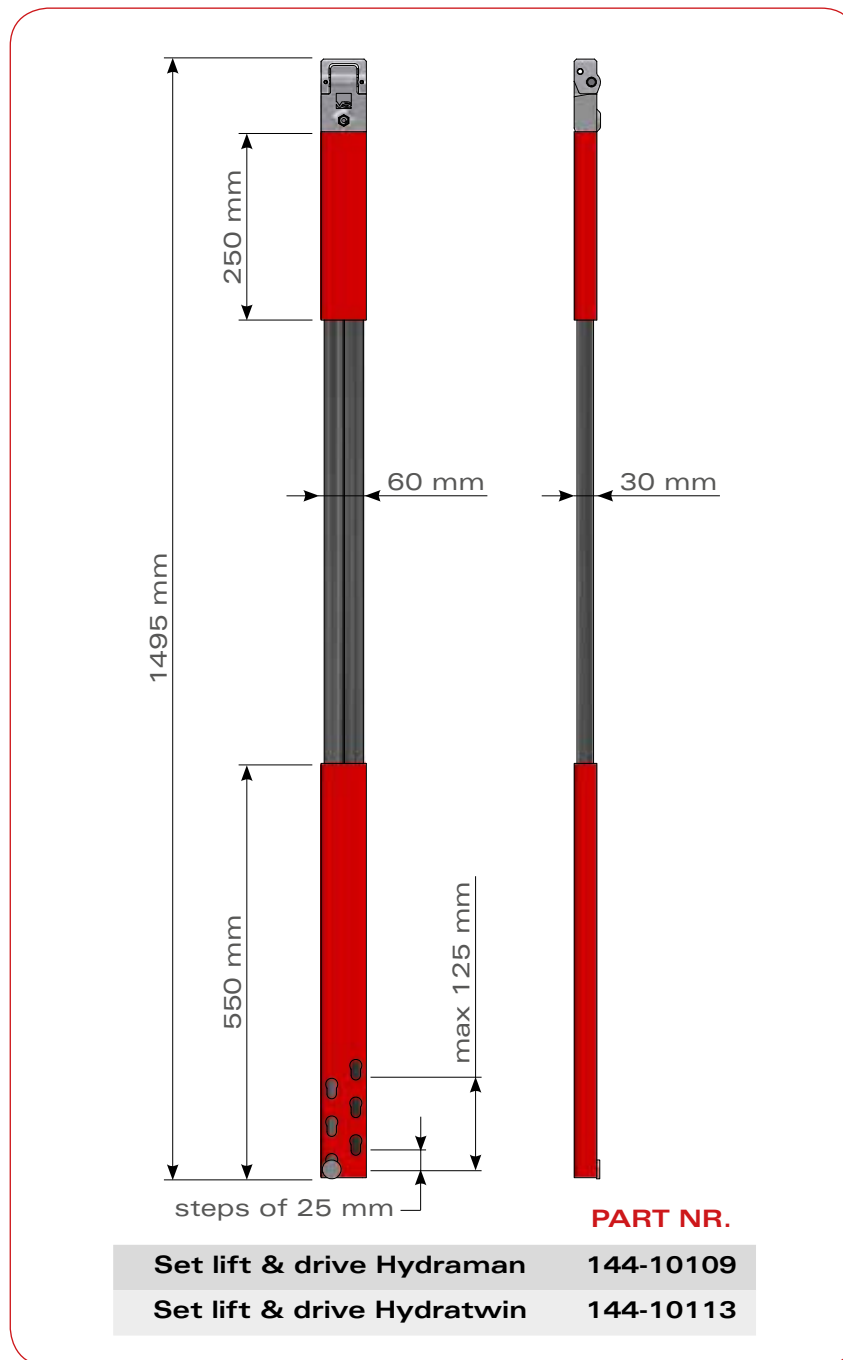
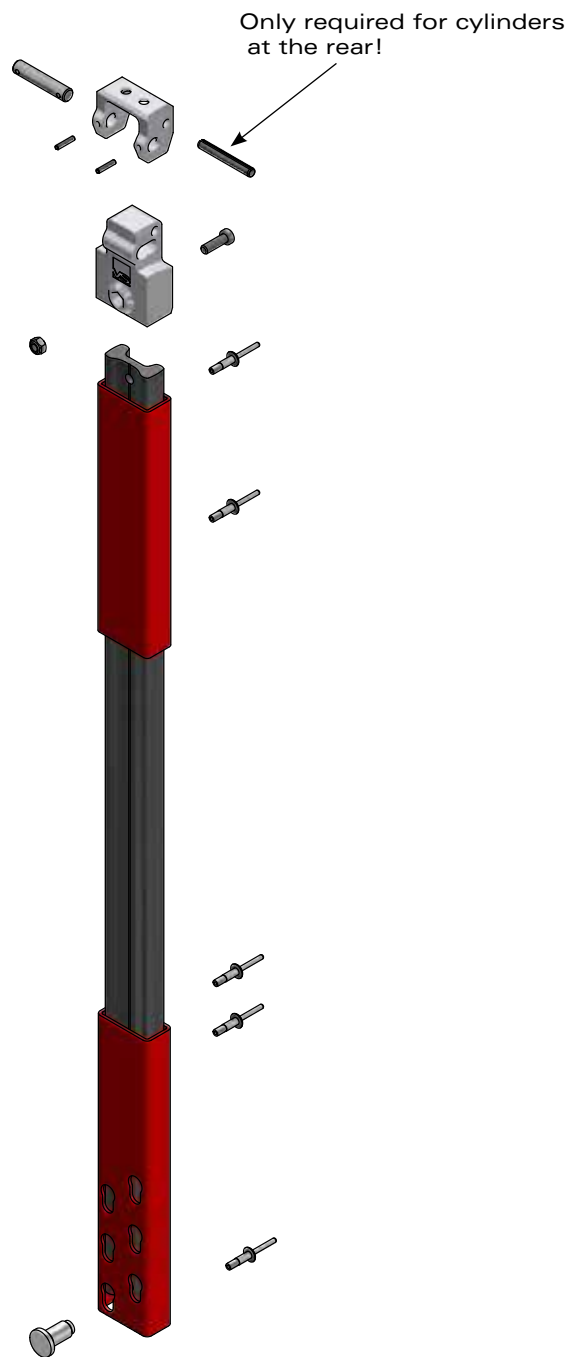
**Hydratwin**  
+ set lift & drive Hydratwin



**Hydramatic cylinder 500SE**  
+ set lift & drive Hydraman



**Hydramatic cylinder 500DE**  
+ set lift & drive Hydraman



\* The mounting parts for Hydraman (pump), Hydratwin (pump + cylinder) and Hydramatic (cylinders SE + DE) are not visible in the pictures.



**Versus-Omega**

Nijverheidslaan 1527a  
B-3660 Oudsbergen  
Belgium

t. +32 89 320 190  
f. +32 89 320 199  
e. [info@versus-omega.com](mailto:info@versus-omega.com)  
w. [www.versus-omega.com](http://www.versus-omega.com)

