



Revision: 01-10-19

Versus-omega preserves the right to alter parts and drawings at all times. Check online for the most recent updated versions.



**PENTA FLEX**

# Versus

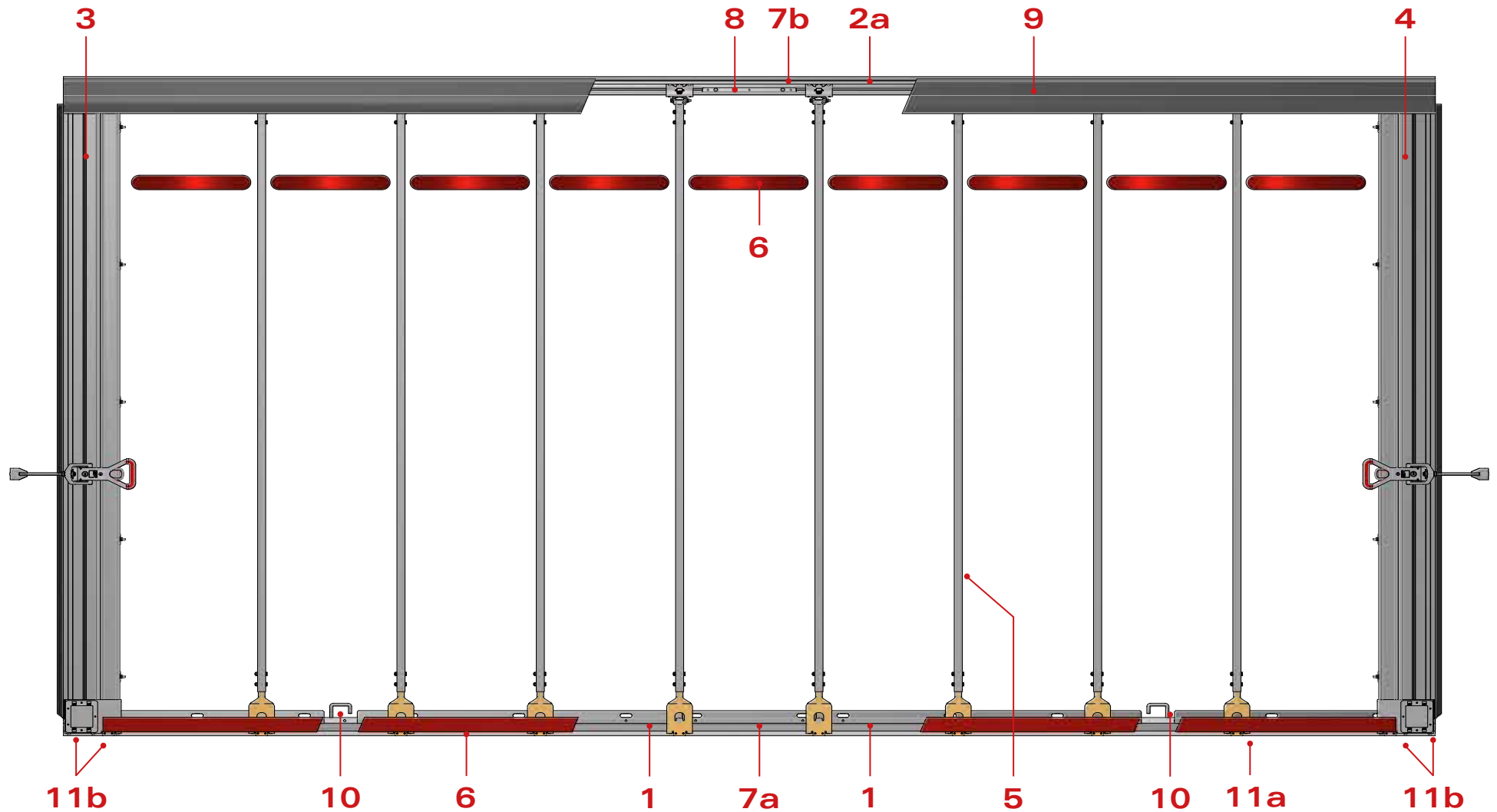


FOX  
Penta City

**VS** **penta flex**  
— slider system by versus

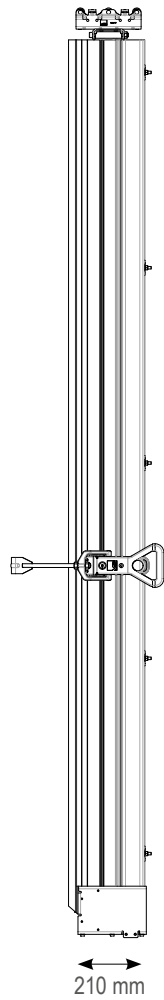
quick and safe through town

CAR



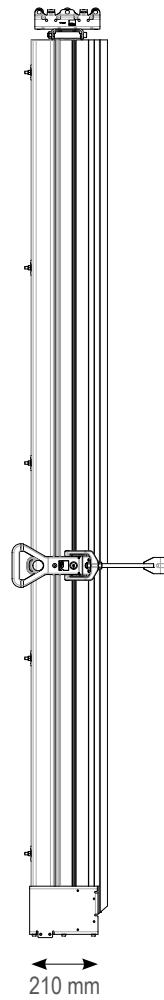
<b>1</b>	Penta Flex rail (steel)	<b>7a</b>	Rail insert Penta Flex
<b>2a</b>	Penta City rail (Al)	<b>7b</b>	Rail insert Penta City
<b>2b*</b>	Solo Penta rail (Al)	<b>7c*</b>	Rail insert Solo Penta
<b>3</b>	Aluminium door (left)	<b>8</b>	Set steel insert
<b>4</b>	Aluminium door (right)	<b>9</b>	PVC Pelmet
<b>5</b>	Mini pillar	<b>10</b>	Set door stopper
<b>6</b>	PP band (red)	<b>11</b>	Set fixation curtain

**3 Aluminium door left**



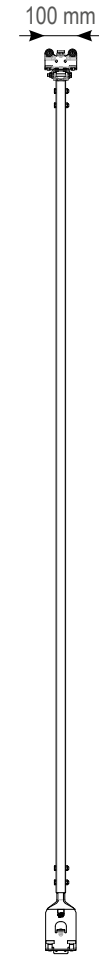
**PART NR.**  
Left Al 644-01001

**4 Aluminium door right**



**PART NR.**  
Right Al 644-01002

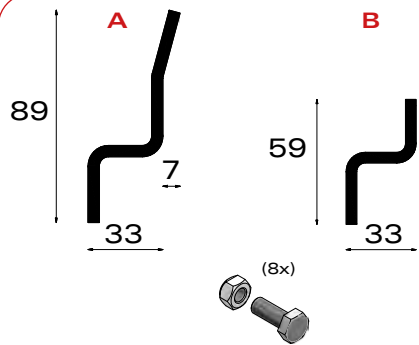
**5 Mini pillar**



**PART NR.**  
Small 644-04001  
Medium 644-04002  
Large 644-04003

Small (S) = aperture height between 0 and 2330mm  
Medium (M) = aperture height between 2331 and 2470mm  
Large (L) = aperture height between 2471 and 2740mm

### 1 Penta Flex rail (steel)



**PART NR.**

Rail (A) L = 3m	162-39300
Rail (B) L = 3m	162-39301
Set (1set/rail)	144-10151

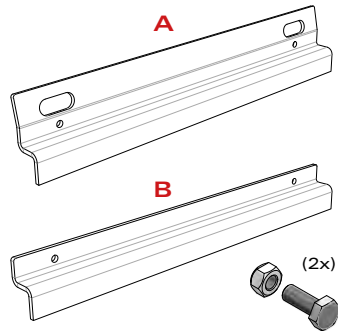
### Velcro strap



**PART NR.**

L = 150mm	312-08002
-----------	-----------

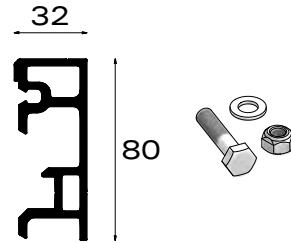
### 7a Rail insert Penta Flex



**PART NR.**

Rail (A) L = 0,5m	144-10153
Rail (B) L = 0,5m	144-10154

### 2a Penta City rail (Al)



**PART NR.**

Rail L = 7m	162-29700
Set (1set/m)	144-10129

\* Use this rail with a steel frame

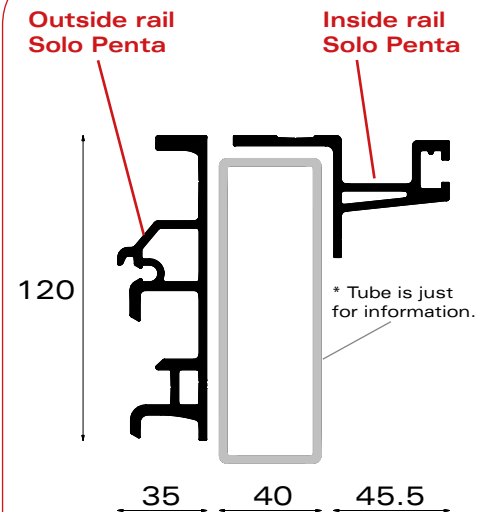
### 7b Rail insert Penta City



**PART NR.**

L = 0,5m	162-29005
----------	-----------

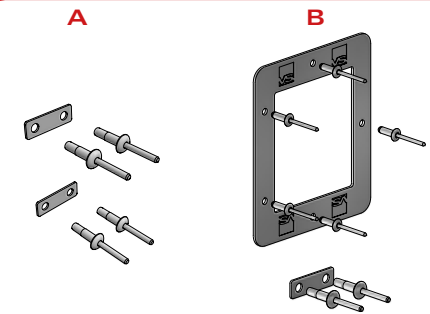
### 2b Solo Penta rail (Al)



**PART NR.**

Rail (out) L = 7,8m	162-41780
Rail (out) L = 8,5m	162-41850
Rail (in) L = 7,8m	162-43780
Rail (in) L = 8,5m	162-43850

### 11 Set fixation curtain



**PART NR.**

Set mini pillar (A)	144-10144
Set Al door (B)	144-10152

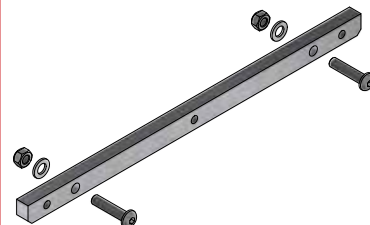
### 9 PVC pelmet (black)



**PART NR.**

L = 9m	242-02109
L = 14m	242-02114

### 8 Set steel insert



**PART NR.**

Set	144-10119
-----	-----------

\* For Al Penta City & Solo Penta rails

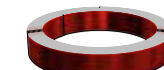
### 7c Rail insert solo penta



**PART NR.**

L = 0,5m	162-41005
----------	-----------

### 6 PP Band (red)



\* The red PP band is mounted on the underside of the curtain.

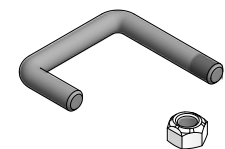


\* The small red PP band is mounted on the top of the curtain.

**PART NR.**

L = 9m	242-06209
L = 14m	242-06214
L = 0,45m	242-06201

### 10 Set door stopper



**PART NR.**

144-10143
-----------



**Versus-Omega**  
Nijverheidslaan 1527a  
B-3660 Oudsbergen  
Belgium

t. +32 89 320 190  
f. +32 89 320 199  
e. [info@versus-omega.com](mailto:info@versus-omega.com)  
w. [www.versus-omega.com](http://www.versus-omega.com)

