



**axces**  
lifting systems

Revision 15/10/2021

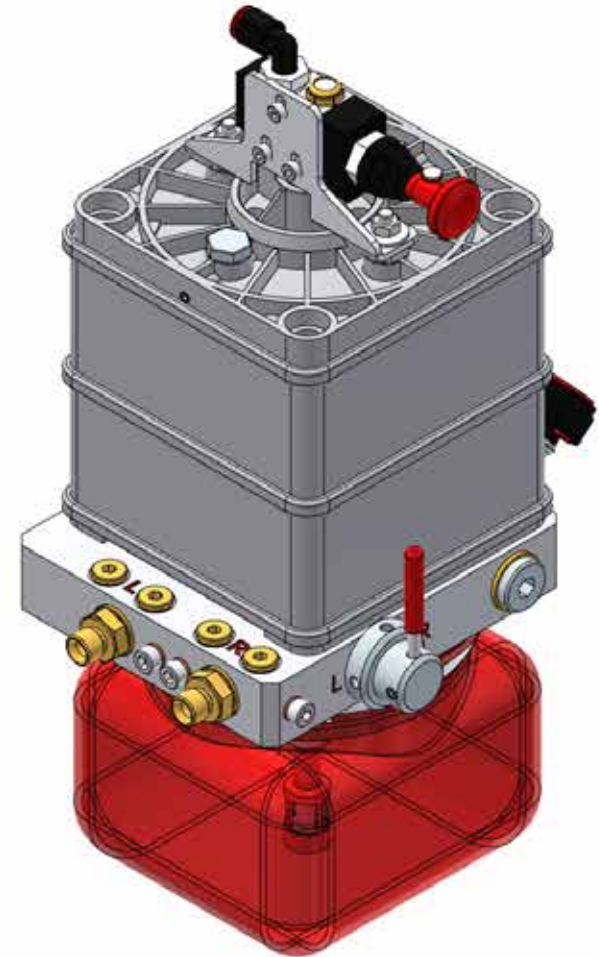
# VS



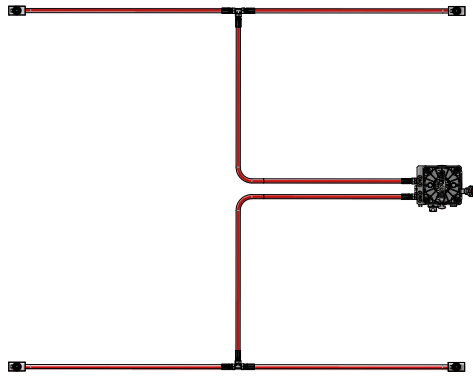
**◆ : HYDRAMATIC**



**axceshydramatic**  
lifting systems by versus



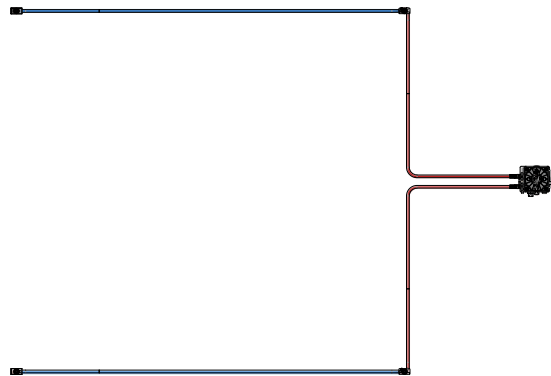
**TYPE S1**



**S1:** Roof can be lifted each side separately or both sides together. The cylinders will not necessarily rise simultaneously but in a random order.

- Choose S1 if:**
- chassis-width  $\geq$  2550mm
  - and/or
  - chassis-length  $\geq$  5000mm
  - and/or
  - simultaneous lift of the cylinders is not important

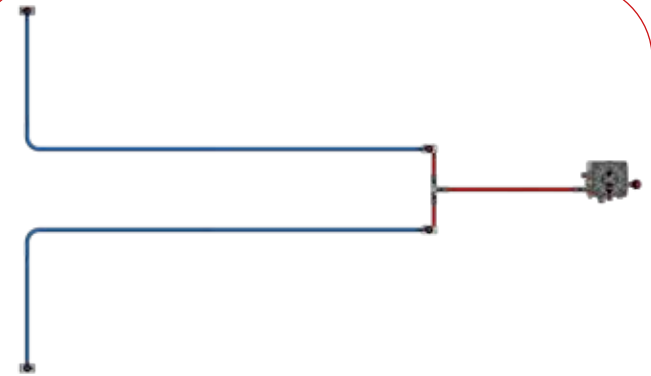
**TYPE S2**



**S2:** Roof can be lifted each side separately or both sides together. Each pair of cylinders (front + rear) will always rise simultaneously but if both sides of the roof are lifted at the same time both pairs will not necessarily rise simultaneously but in a random order.

- Choose S2 if:**
- chassis-width  $\geq$  2550mm
  - and/or
  - simultaneous lifting of each pair of cylinders is important

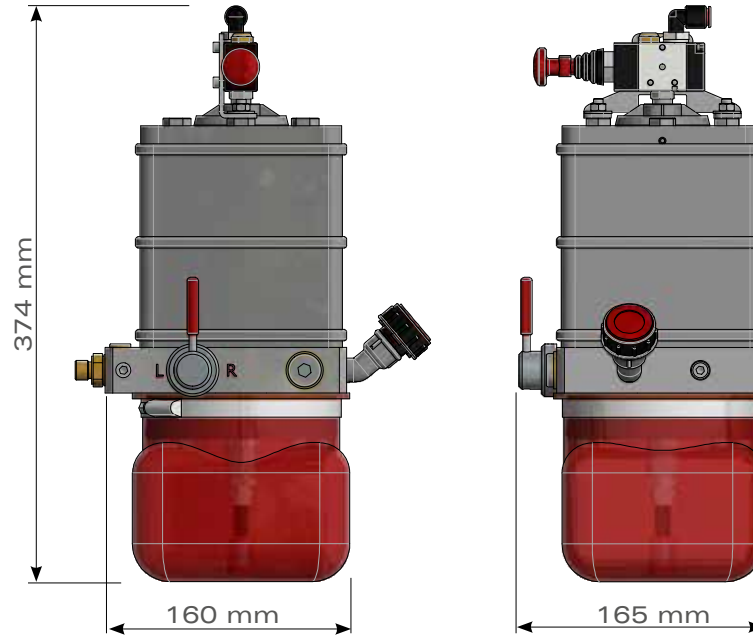
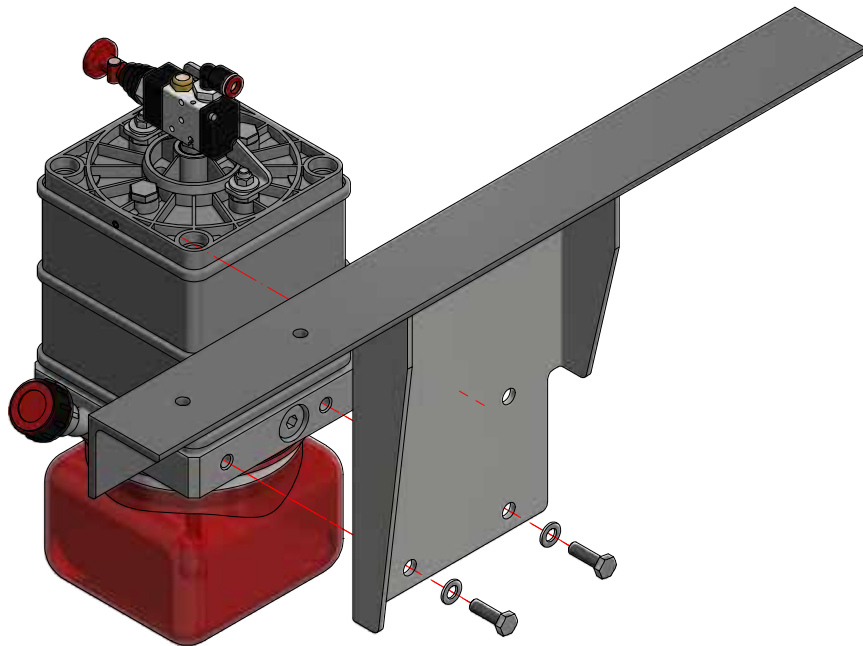
**TYPE S3**



**S3:** Roof can only be lifted completely (left and right side together). All 4 cylinders will rise simultaneously.

- Choose S3 if:**
- chassis dimensions don't allow the use of S1 or S2
  - and/or
  - lifting all 4 corners of the roof simultaneously is important (e.g. because of a stiff, welded roof structure that can be damaged if not lifted simultaneously)

<b>PART NR.</b>				<b>802-01011</b>	<b>802-05004</b>	<b>802-05005</b>	<b>802-06001</b>
Type S1	✓	✓	✓	1x	4x		2x
Type S2	✓	✓	✓	1x	2x	2x	
Type S3			✓	1x	2x	2x	1x



**Hydramatic pump**

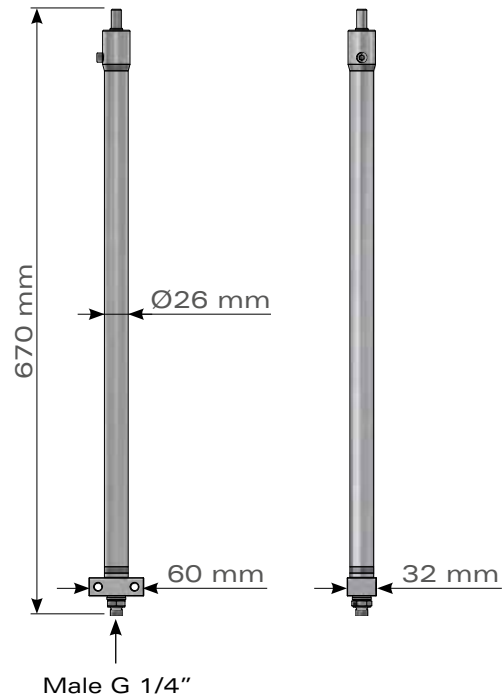
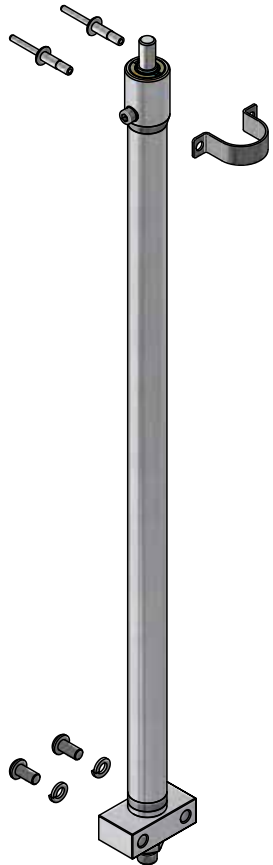
**802-01011**

\* The oil we recommend to use = HLP 46 or HLP 68



**PART NR.**

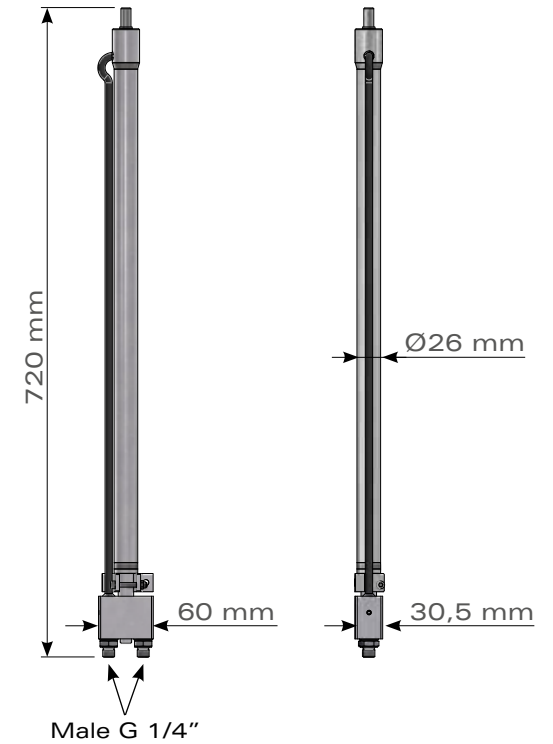
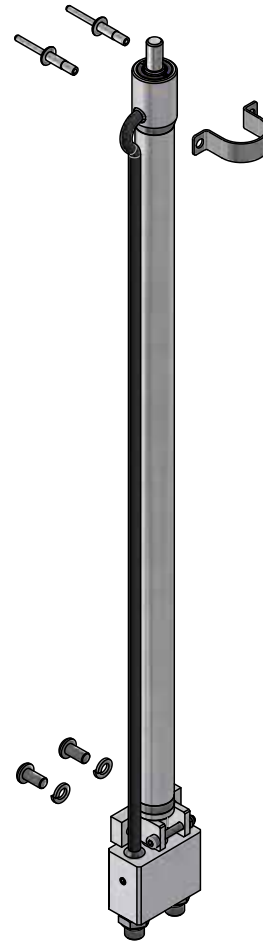
**Mounting set Hydramatic pump 802-06039**



**Cylinder 500 SE**

**PART NR.**  
**802-05004**

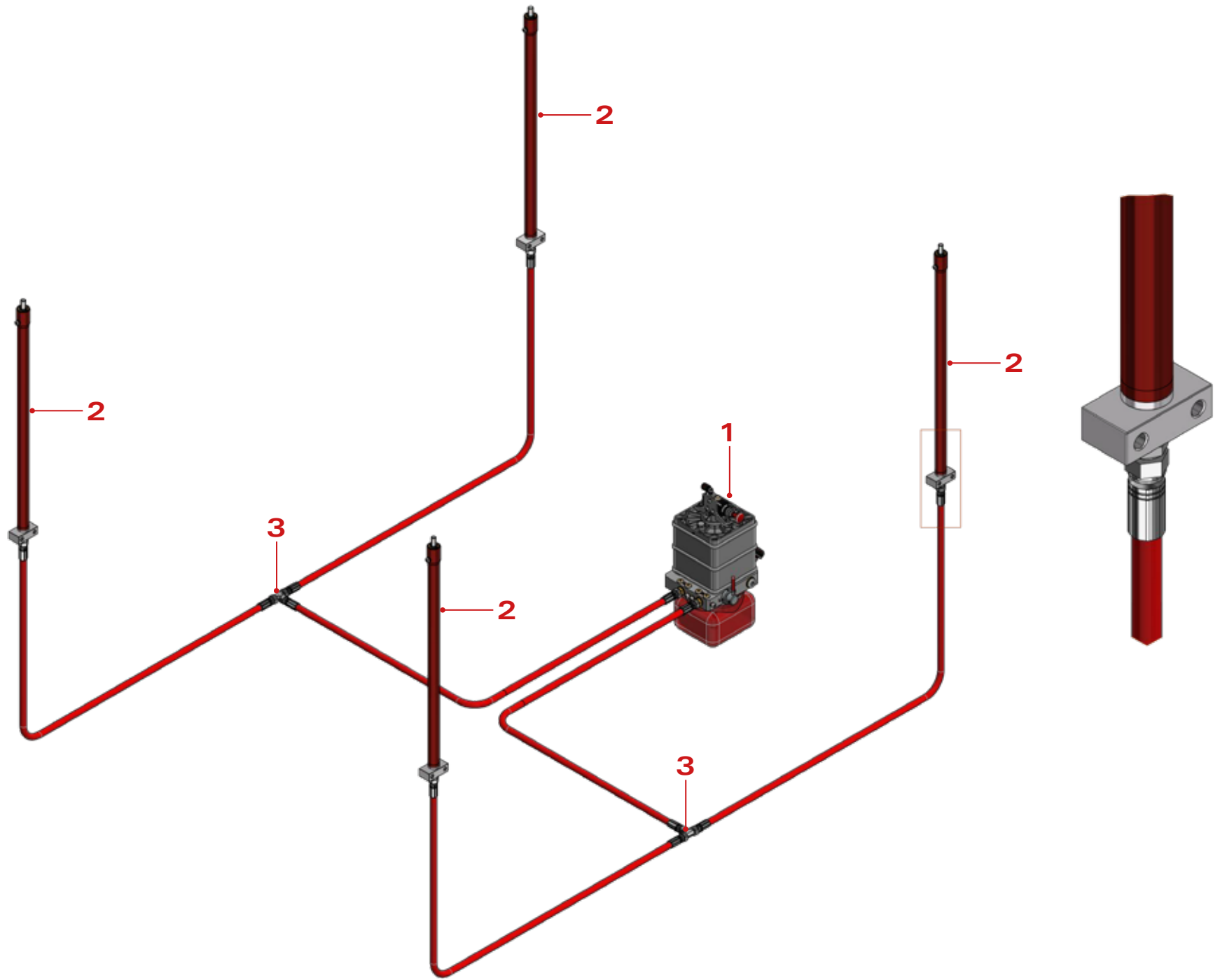
- \* Each cylinder must be combined with a set connect Hydraman or set lift & drive Hydraman.
- \*\* The mounting set for the cylinder is included in the set connect Hydraman (144-10095) or in the set lift & drive Hydraman (144-10109).

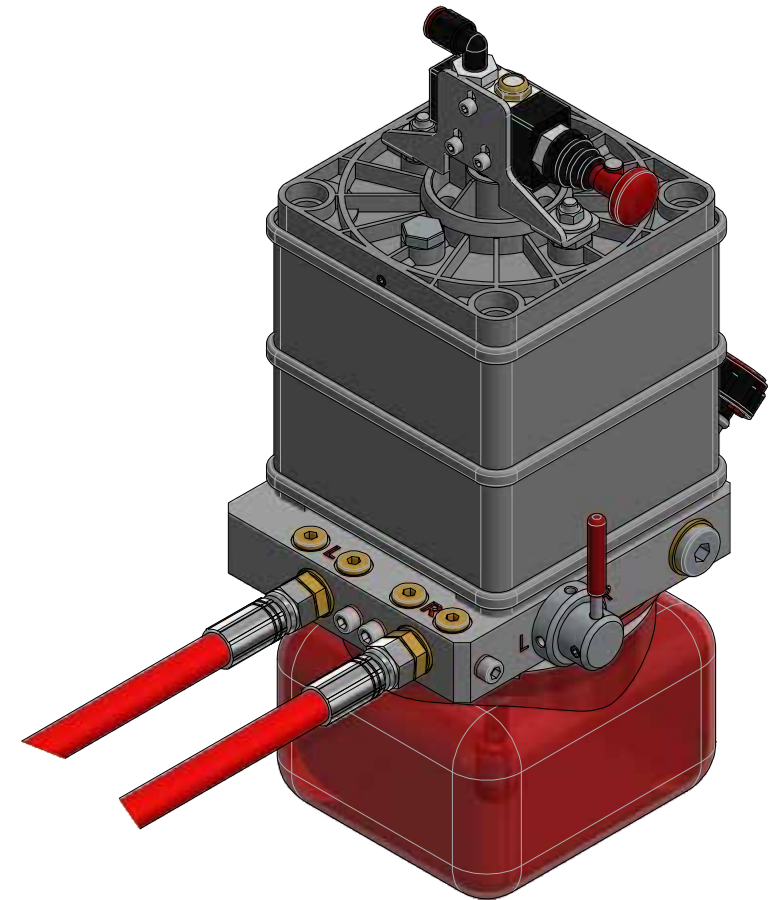
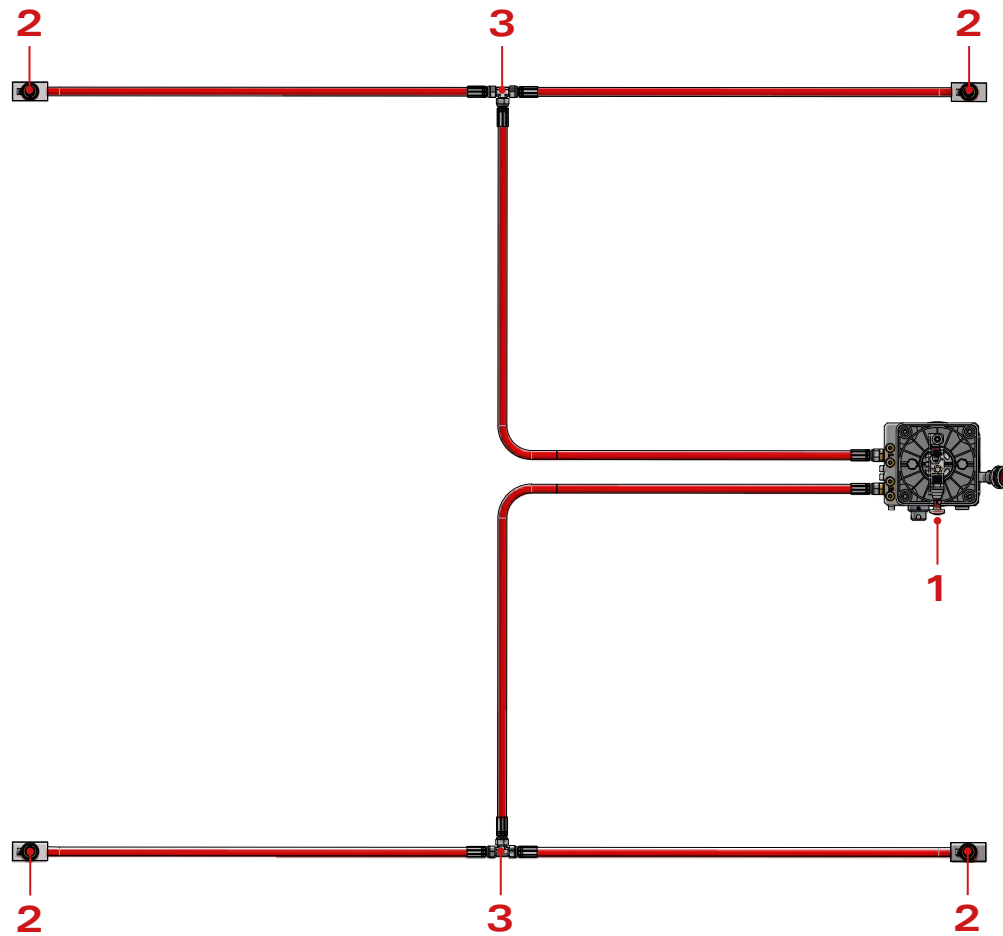


**Cylinder 500 DE**

**PART NR.**  
**802-05005**

- \* Each cylinder must be combined with a set connect Hydraman or set lift & drive Hydraman.
- \*\* The mounting set for the cylinder is included in the set connect Hydraman (144-10095) or in the set lift & drive Hydraman (144-10109).





Nr.	Part Nr.	Qty	Description
1	802-01011	1	Pump-unit Hydramatic 1,5L
2	802-05004	4	Cylinder Hydramatic 500 SE
3	802-06001	2	Set connectors Hydramatic S1
**	144-10095	(4)	Set connect Hydraman
**	144-10109	(4)	Set lift & drive Hydraman

\* The oil and air ducts are not supplied by Versus-Omega

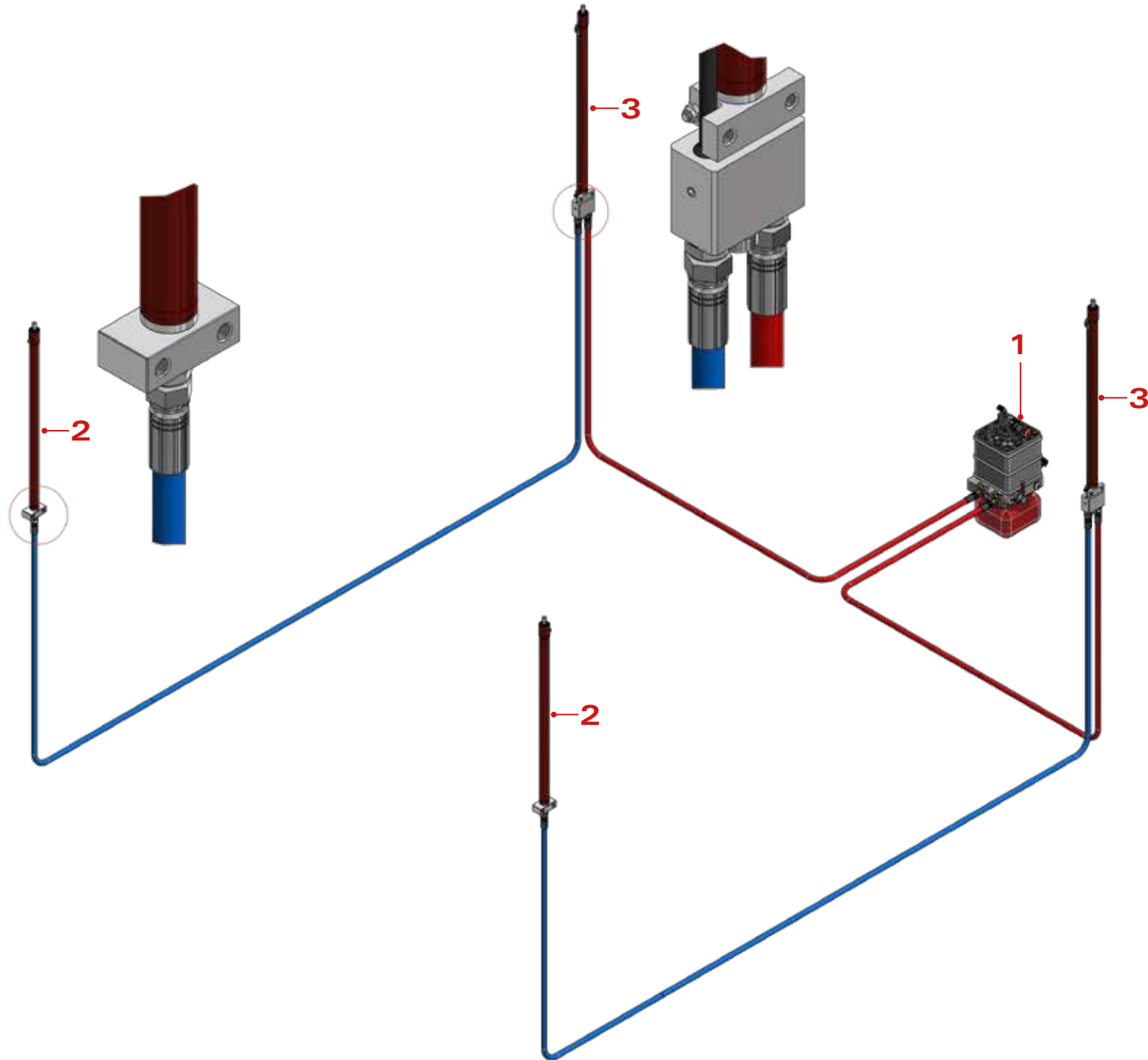
\*\* Each cylinder must be combined with a set connect Hydraman or set lift & drive Hydraman. These are not shown in the images.



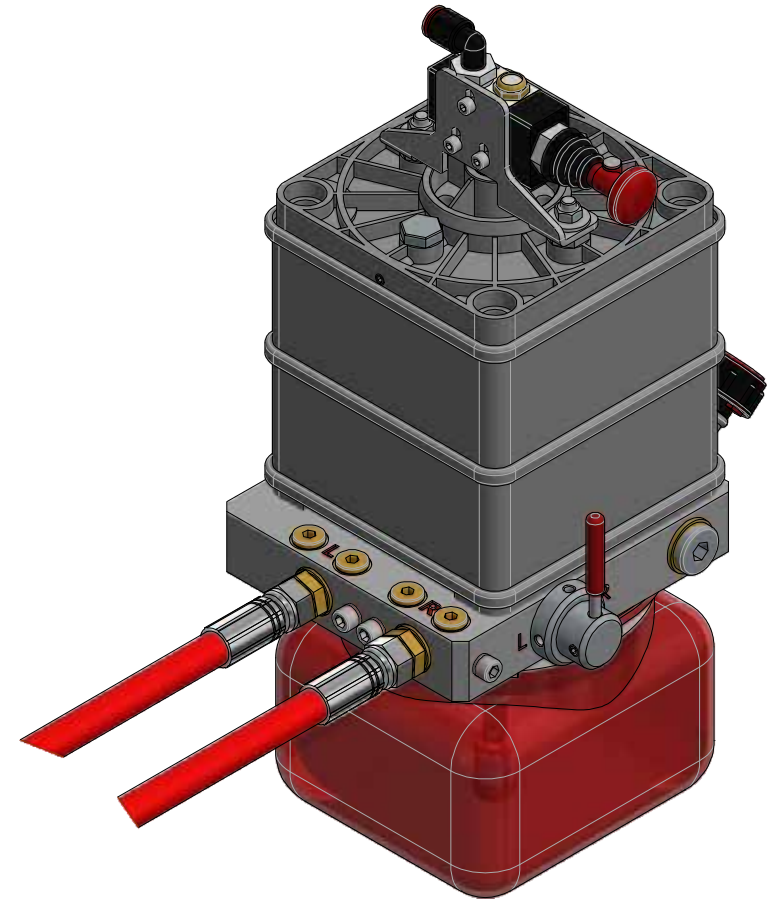
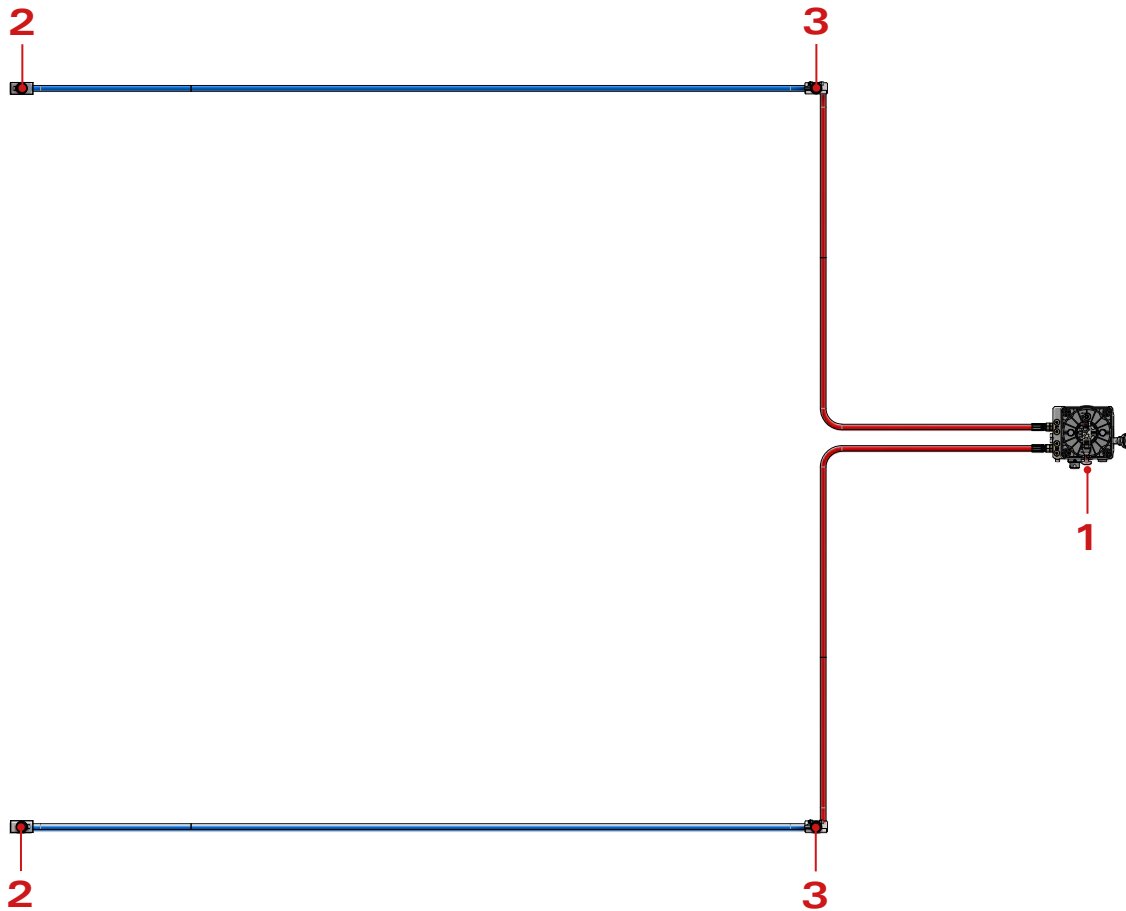
**PART NR.**

**Connector Hydramatic S1**

**802-06001**



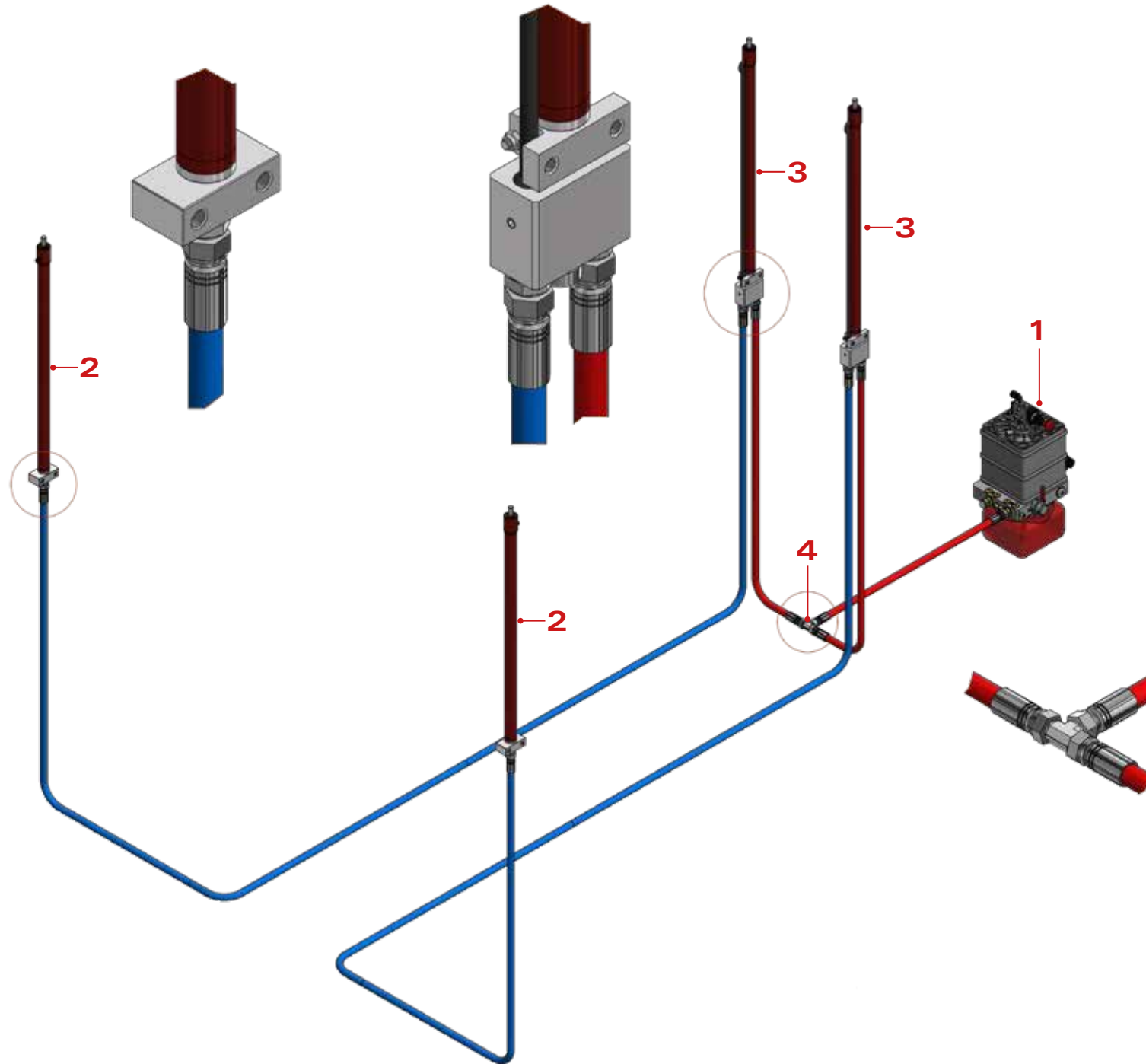


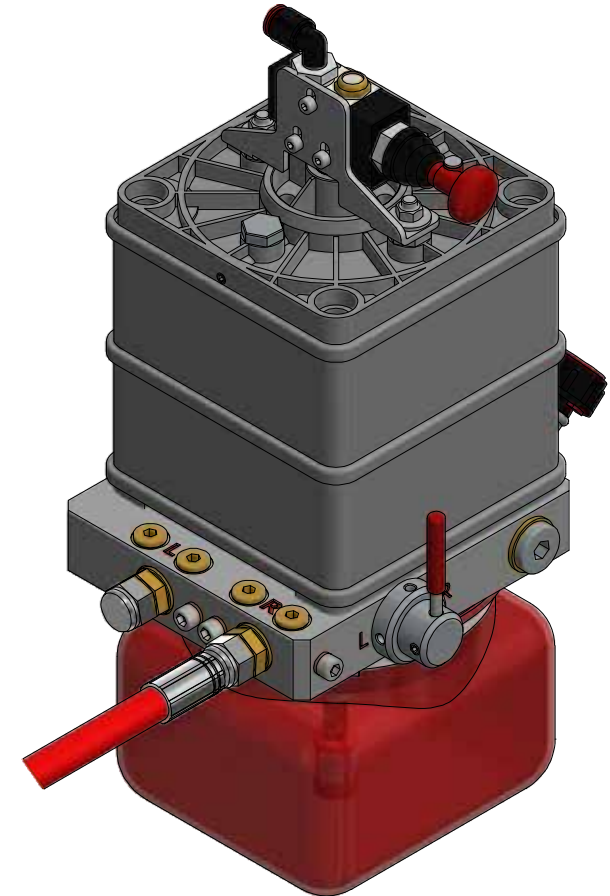
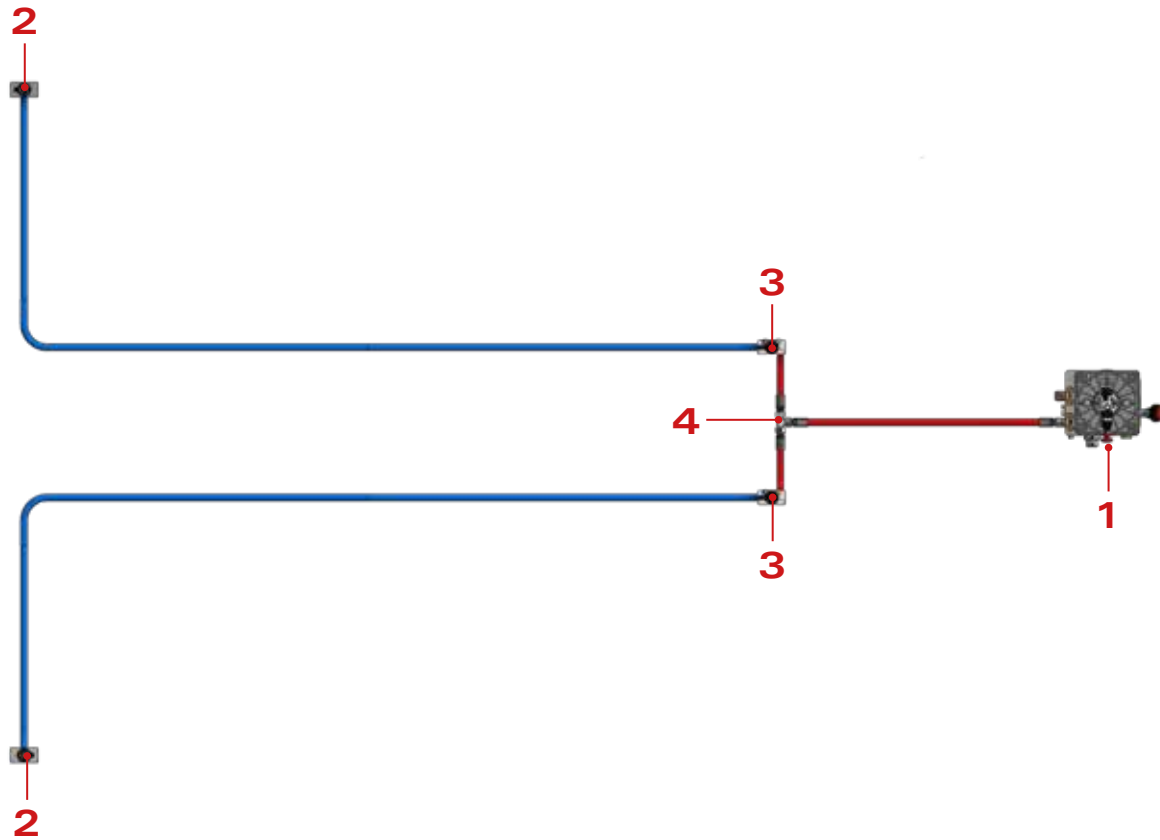


Nr.	Part Nr.	Qty	Description
1	802-01011	1	Pump-unit Hydramatic 1,5L
2	802-05004	2	Cylinder Hydramatic 500 SE
3	802-05005	2	Cylinder Hydramatic 500 DE
**	144-10095	(4)	Set connect Hydraman
**	144-10109	(4)	Set lift & drive Hydraman

\* The oil and air ducts are not supplied by Versus-Omega

\*\* Each cylinder must be combined with a set connect Hydraman or set lift & drive Hydraman. These are not shown in the images.





Nr.	Part Nr.	Qty	Description
1	802-01011	1	Pump-unit Hydramatic 1,5L
2	802-05004	2	Cylinder Hydramatic 500 SE
3	802-05005	2	Cylinder Hydramatic 500 DE
4	802-06001	1	Connector Hydramatic S3
**	144-10095	(4)	Set connect Hydraman
**	144-10109	(4)	Set lift & drive Hydraman

\* The oil and air ducts are not supplied by Versus-Omega

\*\* Each cylinder must be combined with a set connect Hydraman or set lift & drive Hydraman. These are not shown in the images.



**PART NR.**  
**Connector Hydramatic S3 802-06001**

◆ : SET CONNECT



**Hydraman**  
+ set connect Hydraman



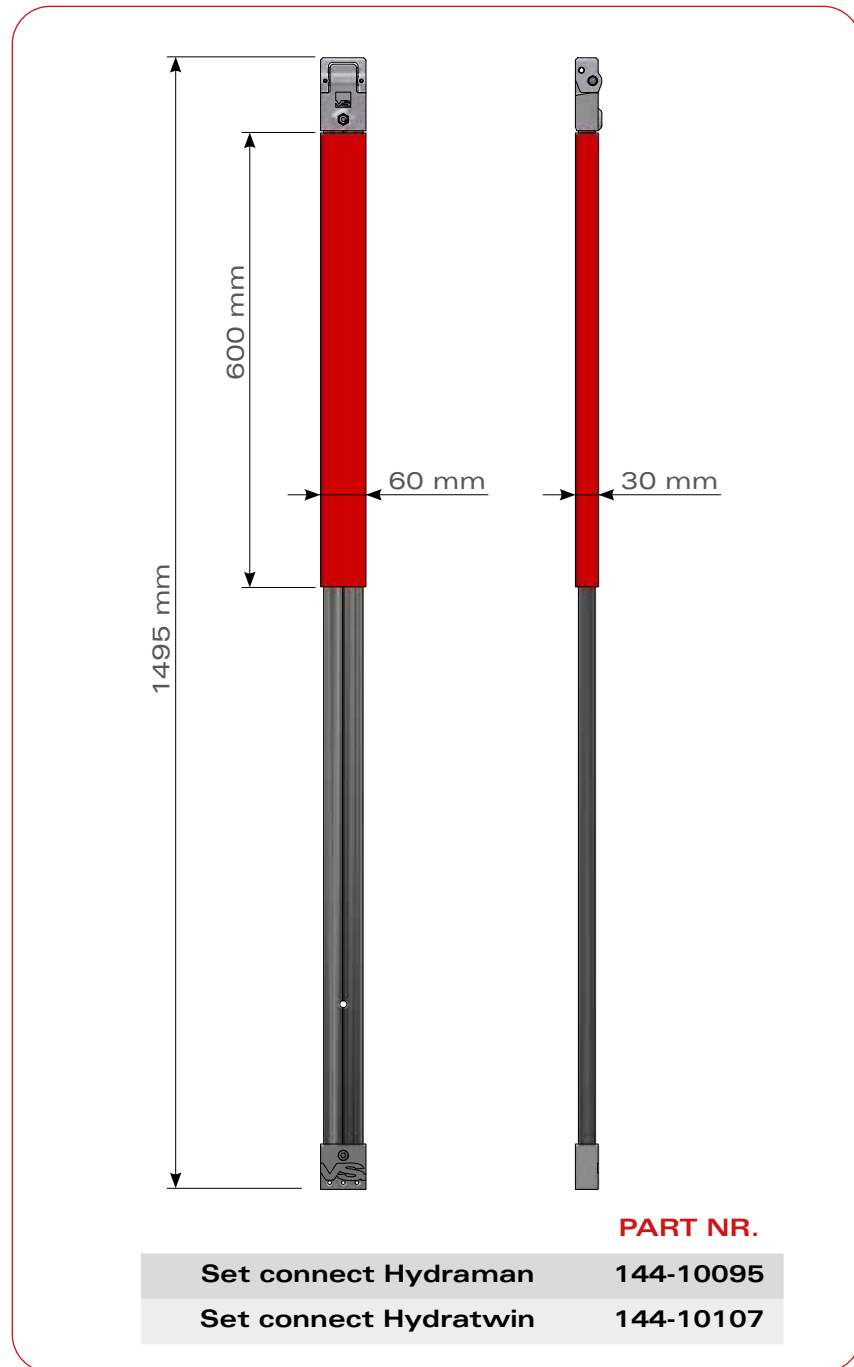
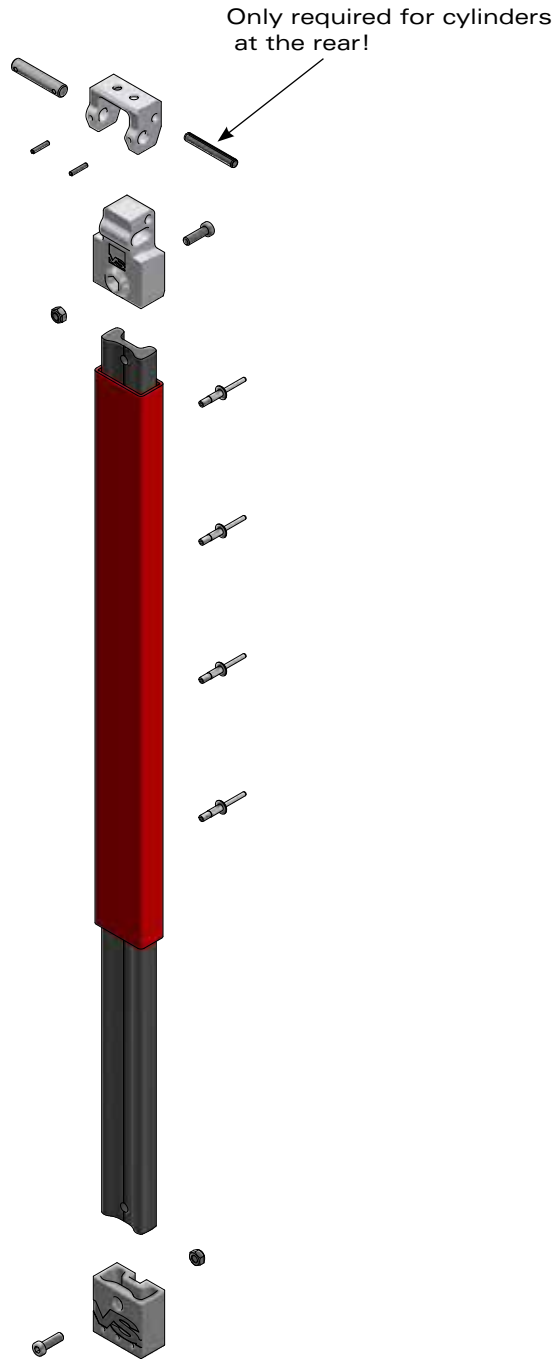
**Hydratwin**  
+ set connect Hydratwin



**Hydrumatic cylinder 500SE**  
+ set connect Hydraman



**Hydrumatic cylinder 500DE**  
+ set connect Hydraman

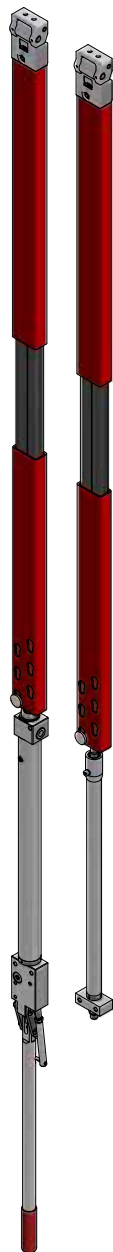


\* The mounting parts for Hydraman (pump), Hydratwin (pump + cylinder) and Hydramatic (cylinders SE + DE) are not visible in the pictures.

# ◆ : SET LIFT & DRIVE



**Hydraman**  
+ set lift & drive Hydraman



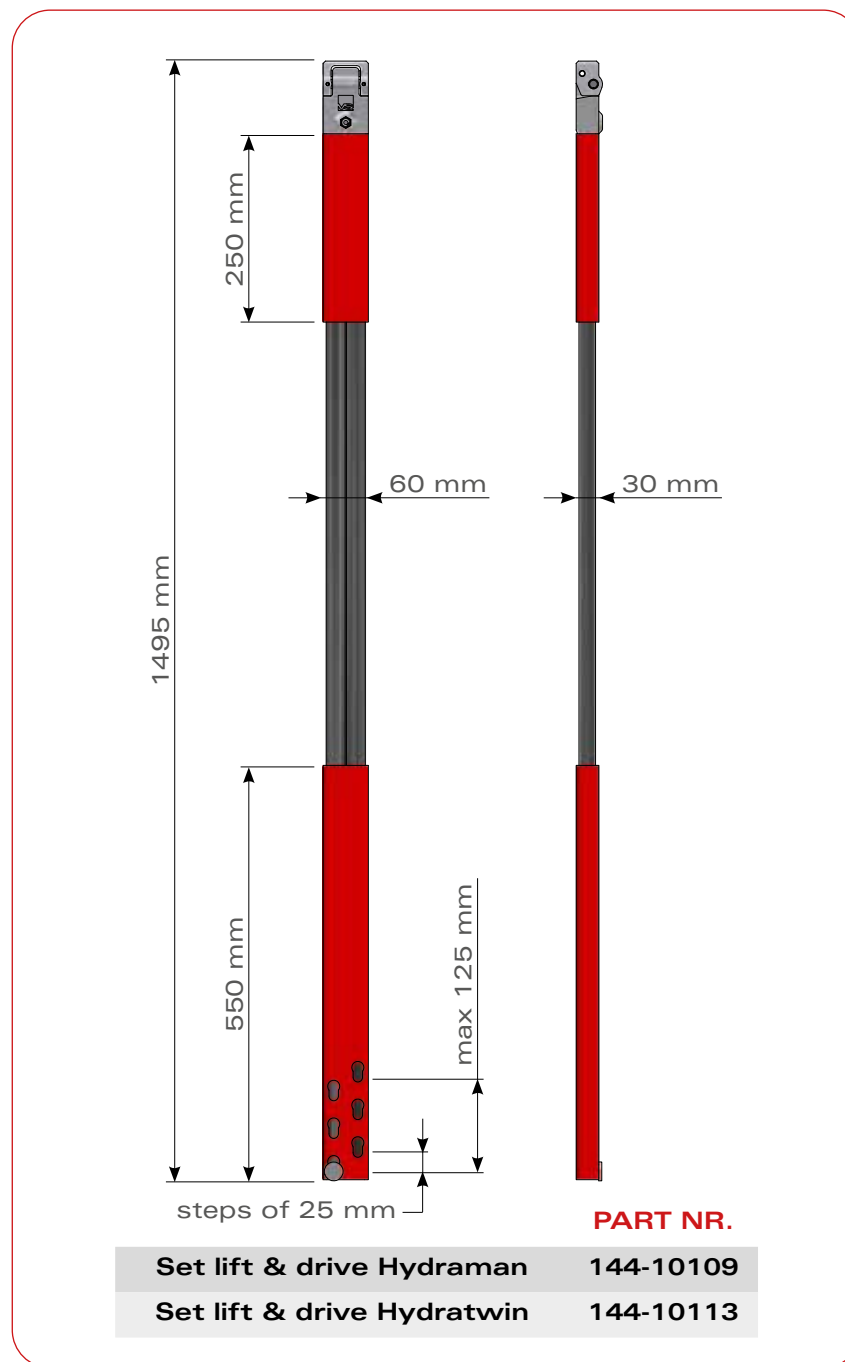
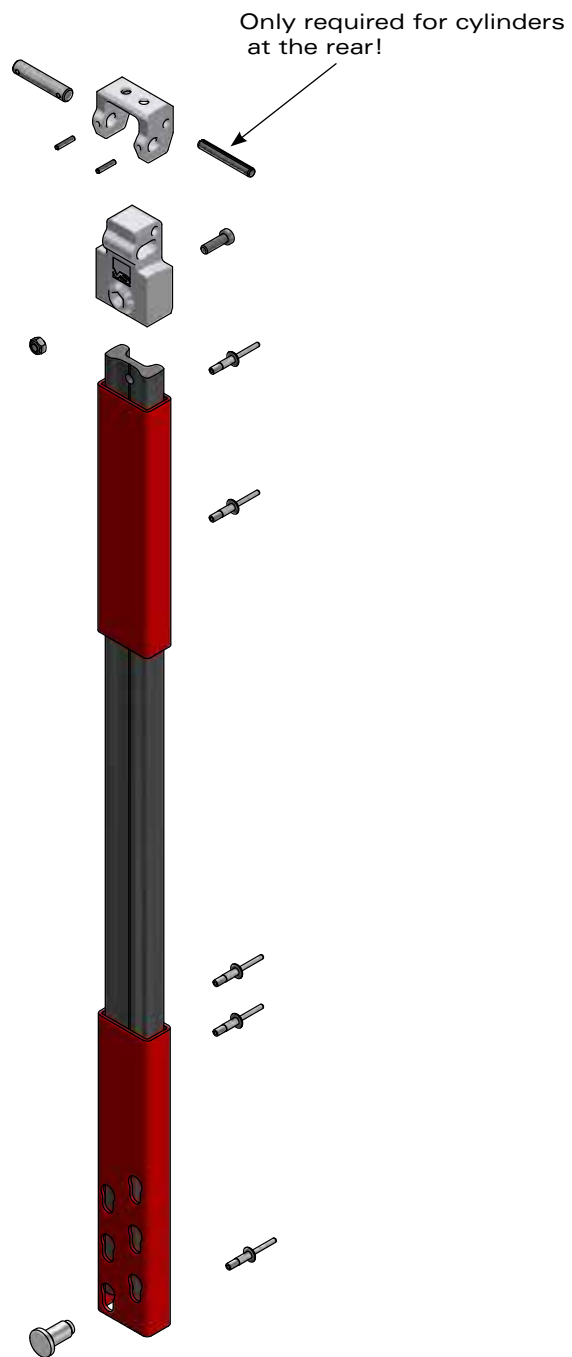
**Hydratwin**  
+ set lift & drive Hydratwin



**Hydramatic cylinder 500SE**  
+ set lift & drive Hydraman



**Hydramatic cylinder 500DE**  
+ set lift & drive Hydraman



\* The mounting parts for Hydraman (pump), Hydratwin (pump + cylinder) and Hydramatic (cylinders SE + DE) are not visible in the pictures.

VS



**Versus-Omega**  
Nijverheidslaan 1527a  
B-3660 Oudsbergen  
Belgium

t. +32 89 320 190  
f. +32 89 320 199  
e. [info@versus-omega.com](mailto:info@versus-omega.com)  
w. [www.versus-omega.com](http://www.versus-omega.com)

  
**versus**  
omega

