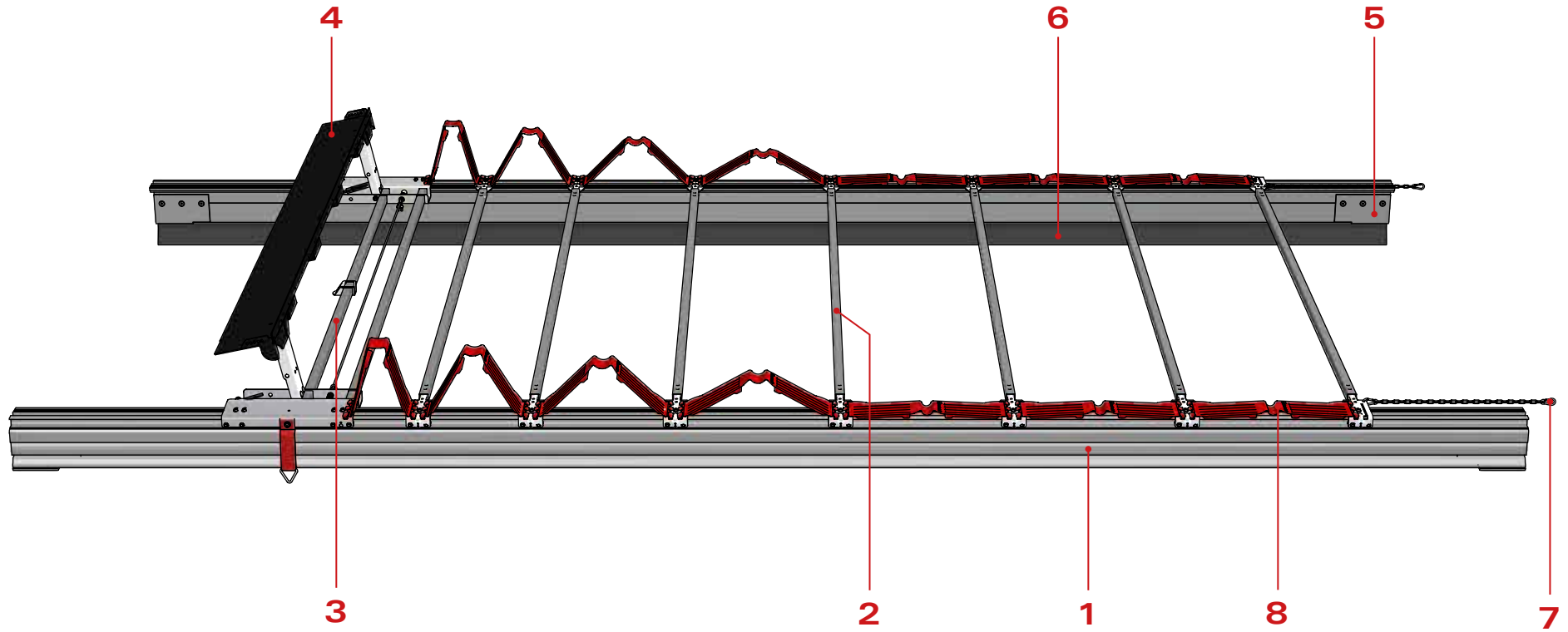




Ω : DUO PENTA

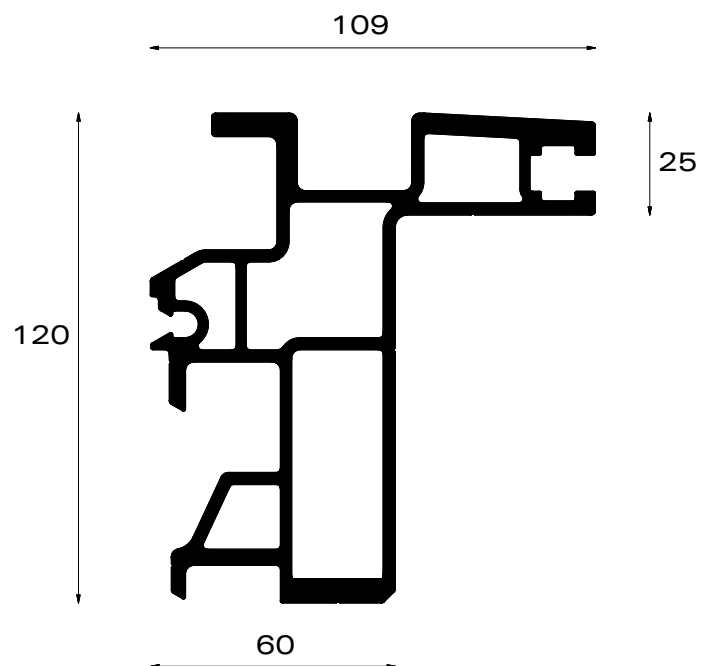
Versus



1	Duo Penta rail	6	PVC pelmet
2	Roof stick	7	Set accessories
3	Collapsible backside	8	Folding plate
4	Back beam	9*	Carapax plate
5	Set mounting plates	10*	Pull bar

* Not visible on the composition drawing above.

1 Duo Penta rail



PART NR.

L = 5m	162-30500
L = 7,8m	162-30780
L = 8,5m	162-30850
* L = 10,5m	162-30105
* L = 13,6m	162-30136
*profile with pre-bending & milling	
Ix : 325cm ⁴	
Iy : 174cm ⁴	
± 5,7 kg/m	

2a Roof stick for sliding roof



PART NR.

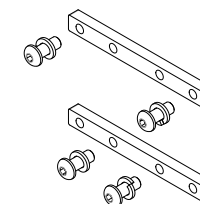
SB=2550 - Type SP	224-01001
SB=2550 - Type AS (Al)	224-03001

2b Roof stick for fixed roof with polyester cover



PART NR.

SB=2550 - Type SP	224-41101
SB=2550 - Type AS (Al)	224-43101
Mounting set roof stick fix	144-10048



* Roof stick screwed to rail with bolts

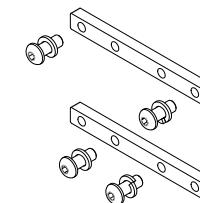
* 1 set/roof stick

2c Roof stick for fixed roof with tarpaulin cover



PART NR.

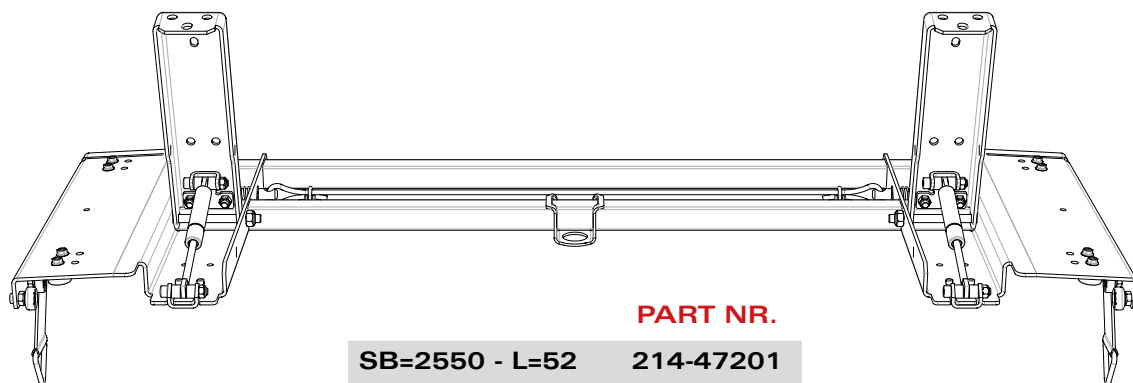
SB=2550 - Type SP	224-41211
SB=2550 - Type AS (Al)	224-43211
Mounting set roof stick fix	144-10048



* Roof stick screwed to rail with bolts

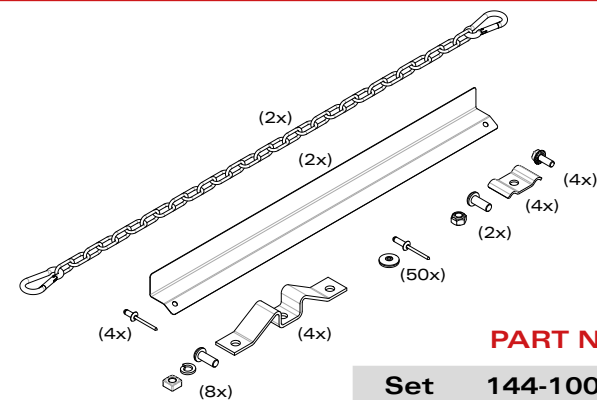
* 1 set/roof stick

3a Collapsible backside



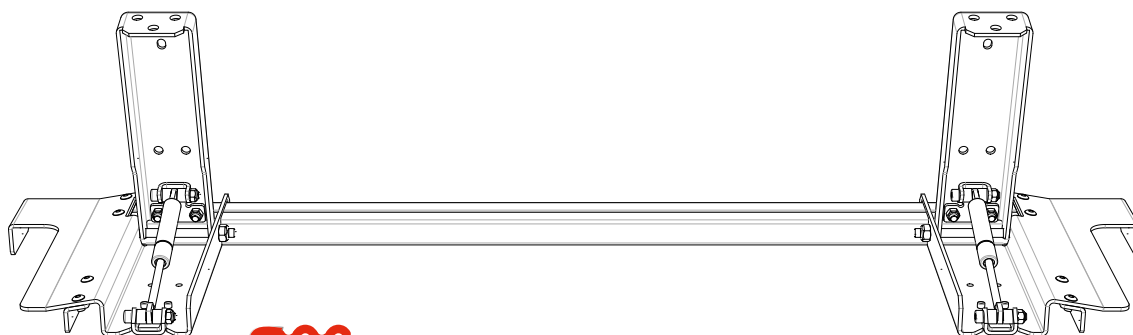
PART NR.
SB=2550 - L=52 214-47201

7a Set accessories



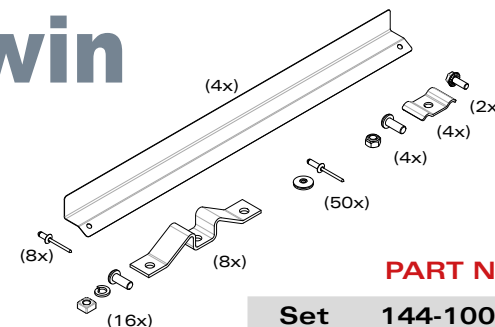
PART NR.
Set 144-10001

3b Collapsible backside for fixed roof with tarpaulin cover



PART NR.
SB=2550 - L=100 324-47201

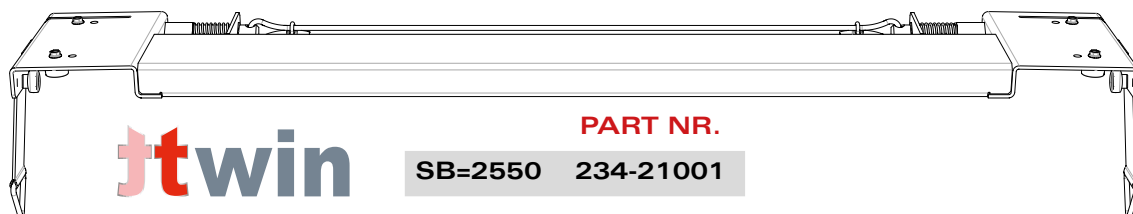
7b Set accessories Twin



PART NR.
Set 144-10018

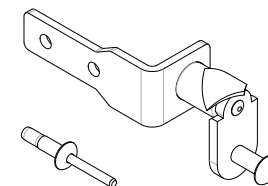
* Duo Penta Twin sliding roof: this set replaces the basic set accessories (144-10001)!

Front header



PART NR.
SB=2550 234-21001

7c Set lock collapsible backside



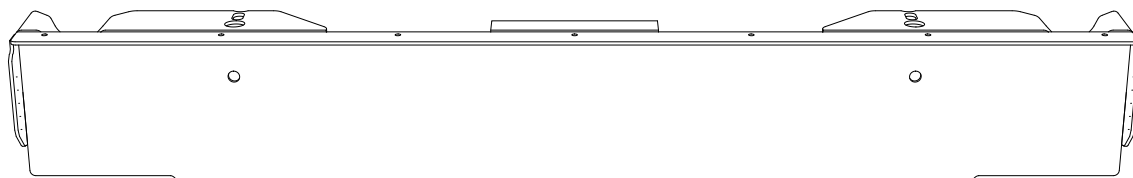
PART NR.
Set 144-10086

7d Set accessories external unlocking

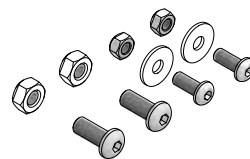


PART NR.
Set 144-10174

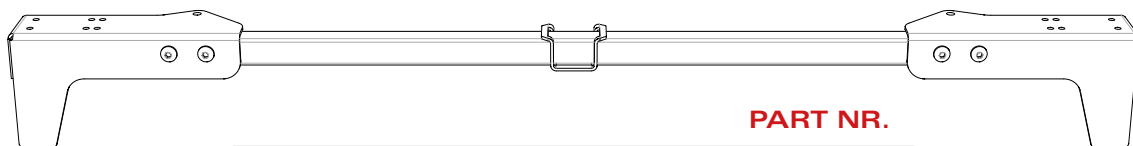
4a Back beam



PART NR.	
SB=2550 - 145Z	193-14001
Mounting set	144-10022



4b Back beam



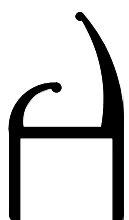
PART NR.	
Set back beam tube 30x30mm	144-10037
Tube 30x30x2mm	112-07001

Rain strip for back beam (4a)



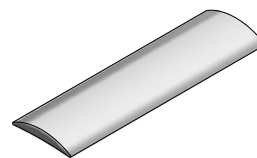
PART NR.	
SB=2550	192-01601

Rain strip for front header

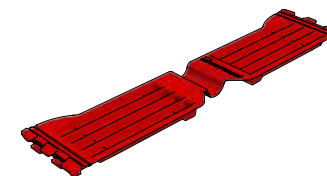


ttwin

PART NR.	
Rain strip SB=2550	192-01606
PVC pelmet L = 2,6m (black)	242-20001
Mounting strip 30x5mm L = 2,6m	292-07001

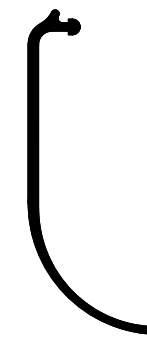


8 Folding plate



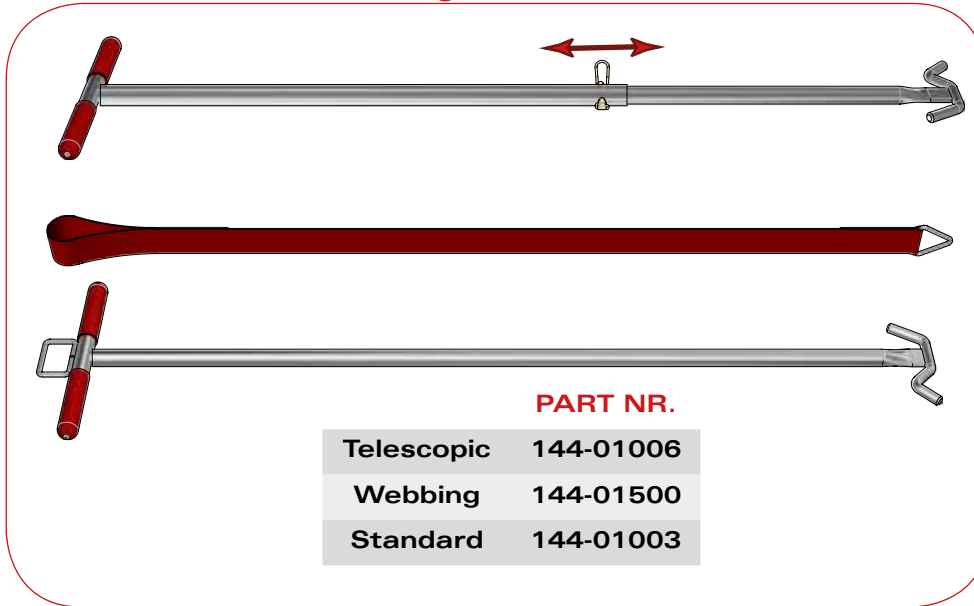
PART NR.	
Type 400	242-01004
Type 500	242-01005
Type 600	242-01006
Type 700	242-01007
Type 570	242-01057
Type 650	242-01065

6 PVC pelmet (black)



PART NR.	
L = 9m	242-02109
L = 14m	242-02114

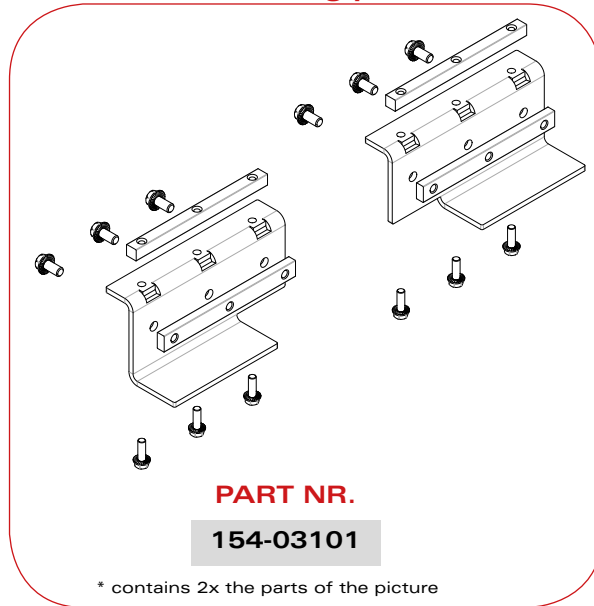
10 Pull bars & webbing



Pillars

Please see chapter Penta slider systems.

5 Set mounting plates



Roller

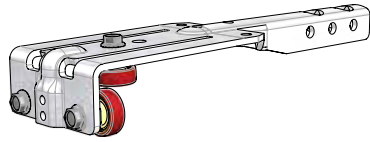
Please see chapter Penta slider systems.

9 Carapax plate



* only needed for roof with Carapax cover

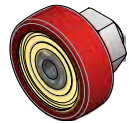
For roof sticks



Assembled bracket

PART NR.

174-02001



Roller bearing plastic

PART NR.

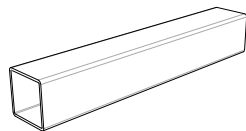
132-01001



Bolt tensilock M6x16mm

PART NR.

091-23001

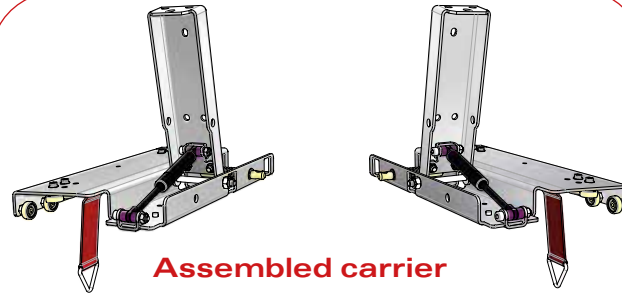


Tube 30x30x1,5mm

PART NR.

L = 2185mm 112-01003

For collapsible backside

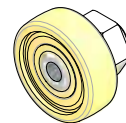


Assembled carrier

PART NR.

Left 204-47201

Right 204-47202



Roller bearing steel

PART NR.

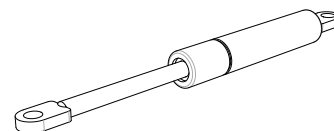
132-03001



Bolt tensilock M6x16mm

PART NR.

091-23001

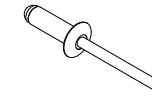


Gas spring 700N

PART NR.

302-01001

For accessories set



Rivet & washer

PART NR.

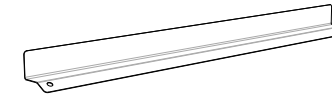
50 pieces 144-10003



Rope clamp

PART NR.

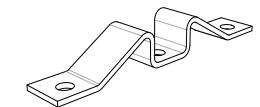
292-01001



Protection plate

PART NR.

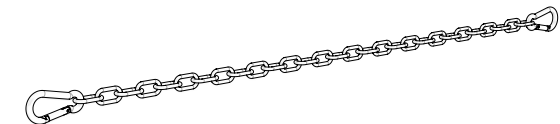
142-06006



Locking nose

PART NR.

142-05002

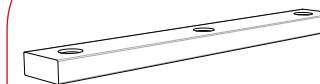


Chain with 2 hooks

PART NR.

142-07001

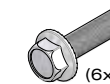
For mounting set



Mounting block
PART NR.

14x14 152-02019

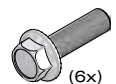
20x10 152-02006



Bolt tensilock
M10x20mm

PART NR.

091-23004



Bolt tensilock
M8x25mm

PART NR.

091-23005



Versus-Omega

Nijverheidslaan 1527a
B-3660 Oudsbergen
Belgium

t. +32 89 320 190
f. +32 89 320 199
e. info@versus-omega.com
w. www.versus-omega.com

