



Revision: 01-10-19

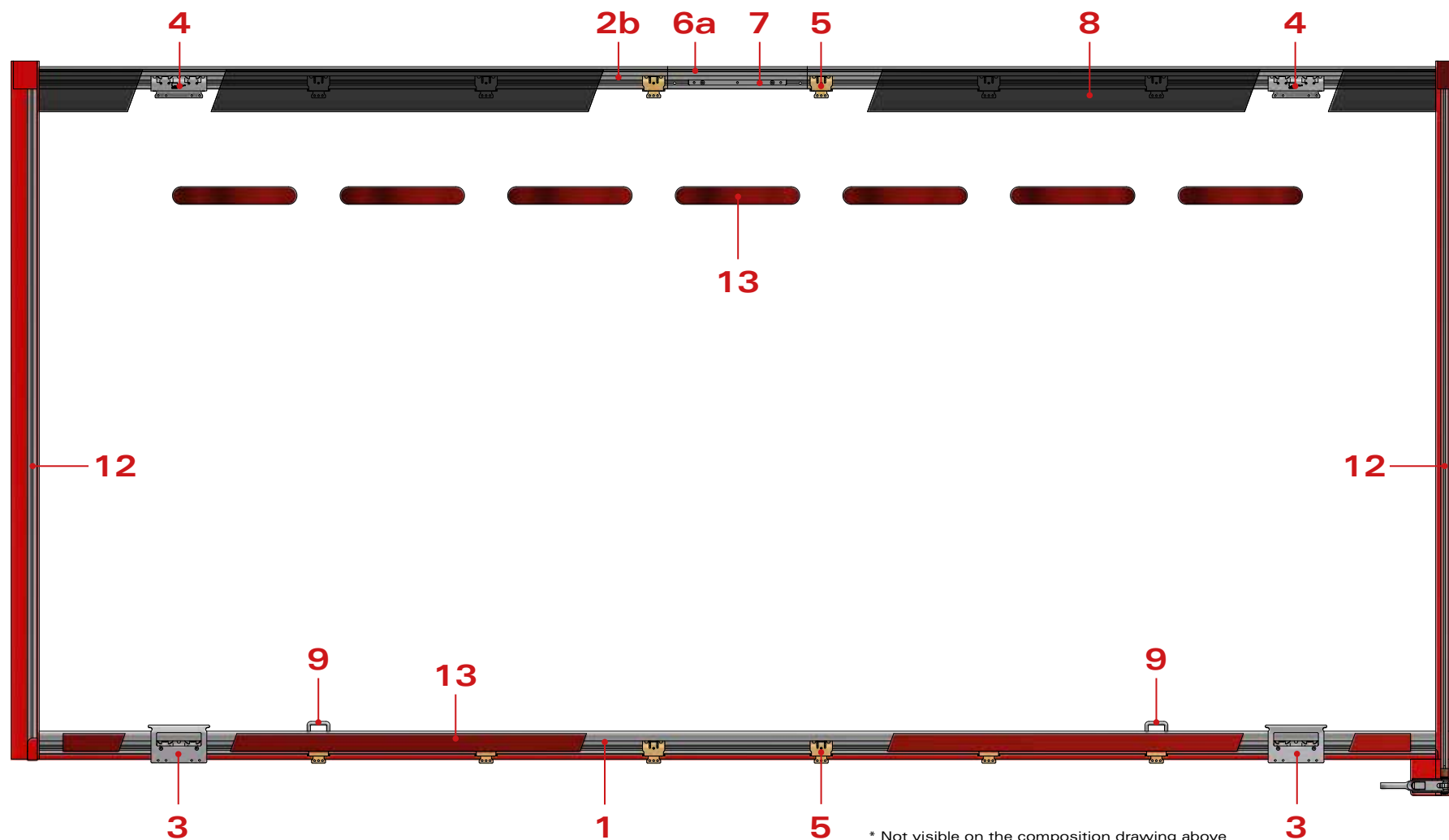
Versus-omega preserves the right to alter parts and drawings at all times. Check online for the most recent updated versions.



VS

 : PENTA CITY 100

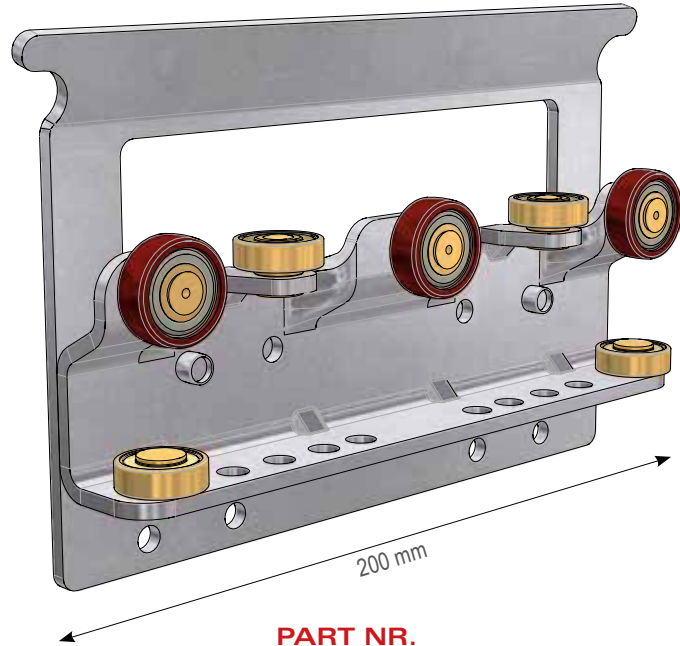




1	Penta City rail type B (Al)	6b*	Rail insert Solo Penta
2a*	Duo Penta rail (Al)	7	Set steel insert
2b	Penta City rail (Al)	8	PVC pelmet
2c*	Solo Penta rail (Al)	9	Set door stopper
3	P200 roller (bottom)	10*	Set fixation curtain
4	P200 roller (top)	11*	Set mounting plates
5	Penta City roller	12	Tension tube & ratchet
6a	Rail insert Penta City	13	PP band

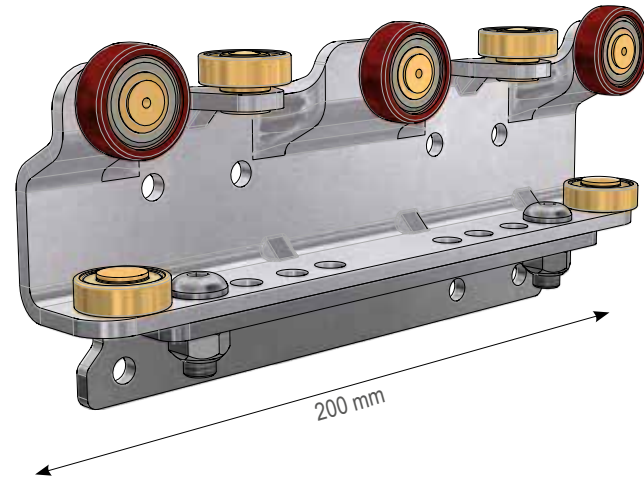
* Not visible on the composition drawing above

3 P200 roller (bottom)



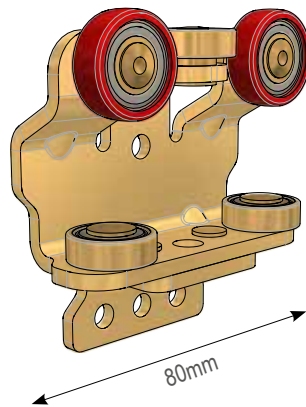
PART NR.
614-05004

4 P200 roller (top)



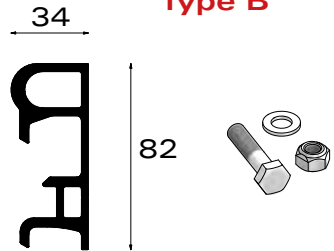
PART NR.
614-05005

5 Penta City roller



PART NR.
284-50020

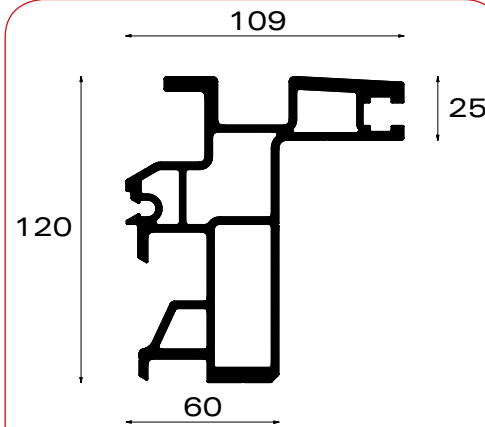
**1 Penta City rail (Al)
Type B**



PART NR.

Rail L = 7m 162-40700
Set (1set/m) 144-10129

2a Duo Penta rail (Al)

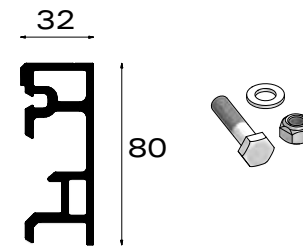


PART NR.

L = 5m 162-30500
L = 7,8m 162-30780
L = 8,5m 162-30850
* L = 10,5m 162-30105
* L = 13,6m 162-30136

* Profile with pre-bending & milling

2b Penta City rail (Al)

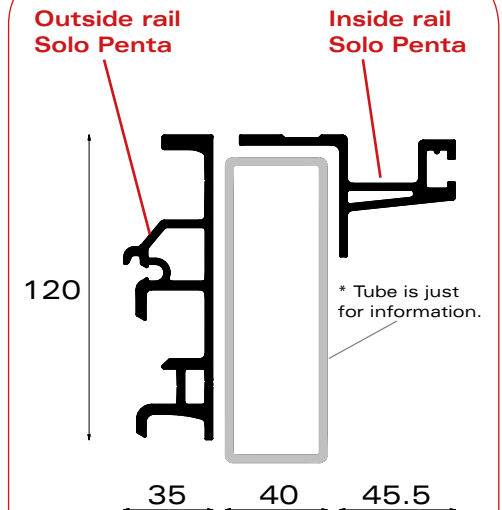


PART NR.

Rail L = 7m 162-29700
Set (1set/m) 144-10129

*Use this rail with a steel frame

2c Solo Penta rail (Al)



PART NR.

Rail (out) L = 7,8m 162-41780
Rail (out) L = 8,5m 162-41850
Rail (in) L = 7,8m 162-43780
Rail (in) L = 8,5m 162-43850

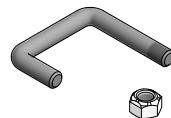
8 PVC pelmet (black)



PART NR.

L = 9m 242-02109
L = 14m 242-02114

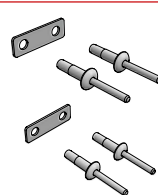
9 Set door stopper



PART NR.

144-10143

10 Set fix. curtain

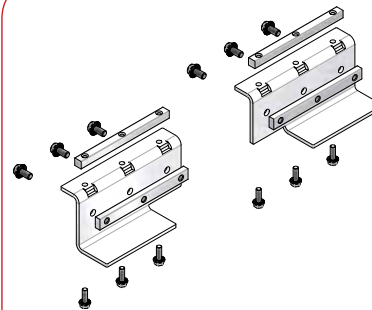


PART NR.

Set 144-10144

1 set / 2 Penta City rollers

11 Set mounting plates



PART NR.

Set 154-03101

* Only for Al rail Duo Penta

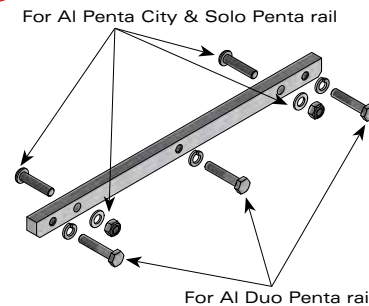
6a Rail insert Penta City



PART NR.

L = 0,5m 162-29005

7 Set steel insert



PART NR.

Set 144-10119

6b Rail insert Solo Penta



PART NR.

L = 0,5m 162-41005

13 PP Band (red)



* The red PP band is mounted on the underside of the curtain.



* The small red PP band is mounted on the top of the curtain.

PART NR.

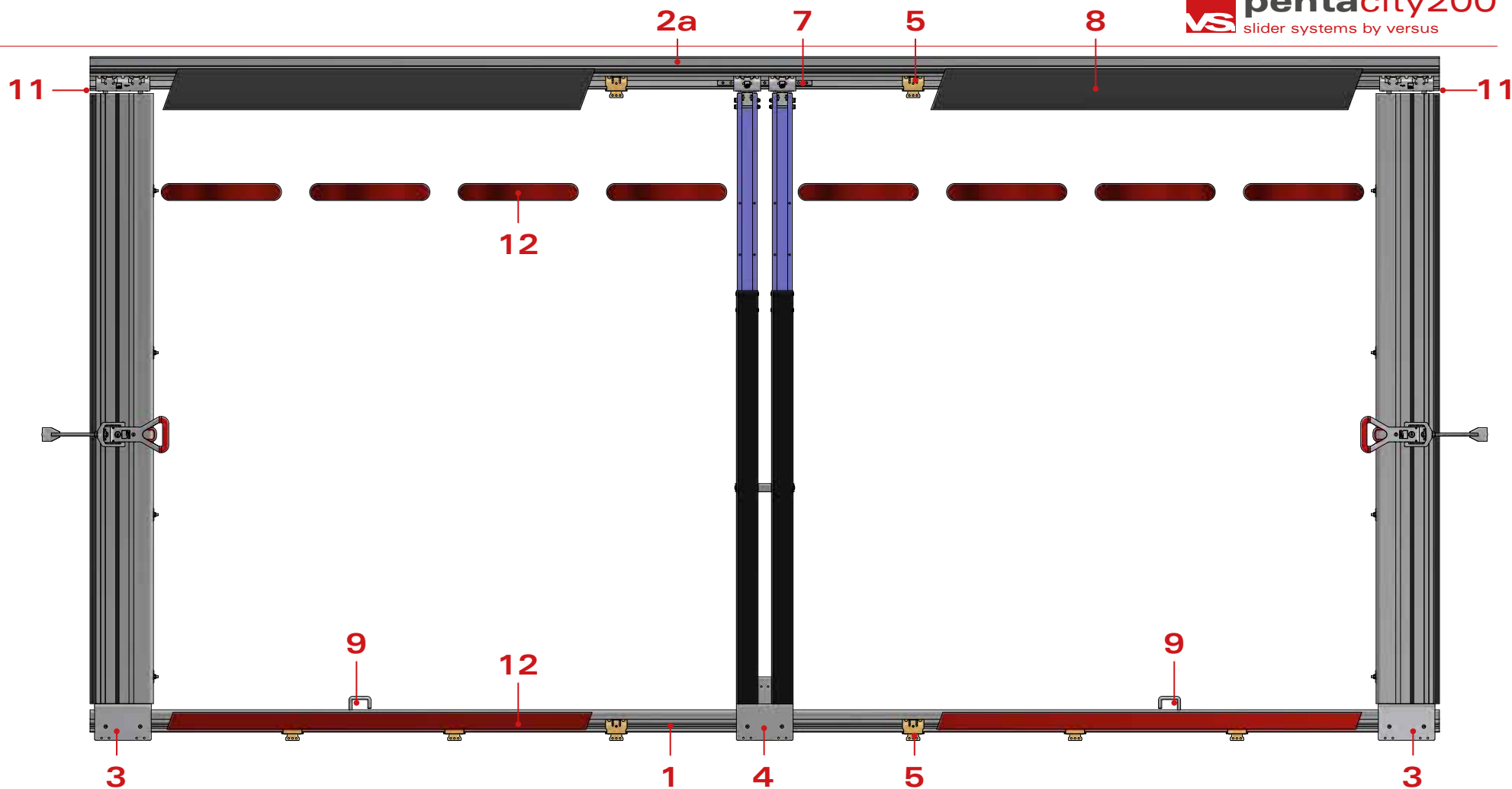
L = 9m 242-06209

L = 14m 242-06214

L = 0,45m 242-06201

 : PENTA CITY 200

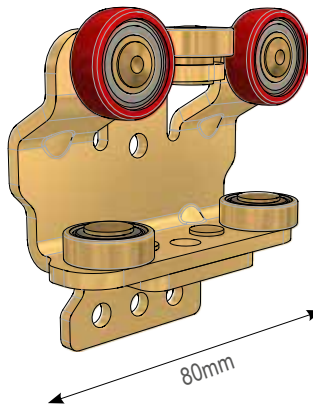




1	Penta City rail type B (Al)	6a*	Rail insert Penta City
2a	Duo Penta rail (Al)	6b*	Rail insert Solo Penta
2b*	Penta City rail (Al)	7	Set steel insert
2c*	Solo Penta rail (Al)	8	PVC pelmet
3	Aluminium door	9	Set door stopper
4	Pillar	10*	Set fixation curtain
5	Penta City roller	11	Set mounting plates
		12	PP band

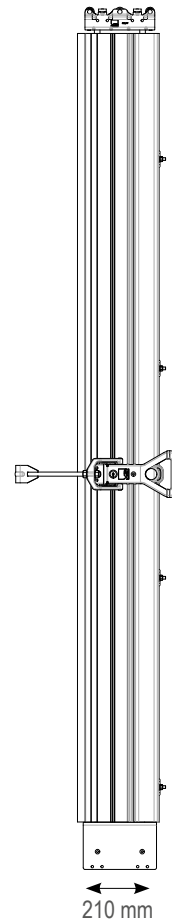
* Not visible on the composition drawing above

5 Penta City roller



PART NR.
284-50020

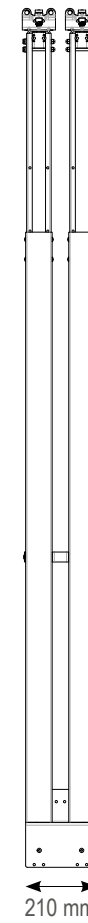
3 Aluminium door



PART NR.

Left	614-03003
Right	614-03004

4 Pillar

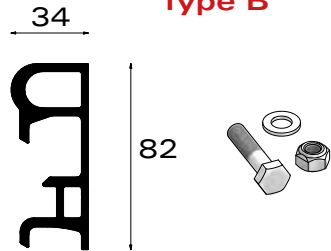


PART NR.

XS	614-02002
S	614-02003
M	614-02004

Extra Small (XS) = aperture height between 1920 and 2170mm
 Small (S) = aperture height between 2171 and 2420mm
 Medium (M) = aperture height between 2421 and 2700mm

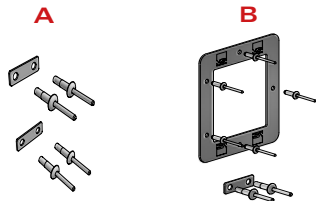
**1 Penta City rail (Al)
Type B**



PART NR.

Rail L = 7m 162-40700
Set (1set/m) 144-10129

10 Set fix. curtain

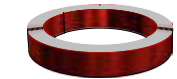


PART NR.

Set A 144-10144
Set B 144-10152

1x Set A / 2 Penta City rollers
2x Set A / pillar
1x Set B / Al door

12 PP Band (red)



* The red PP band is mounted on the underside of the curtain.

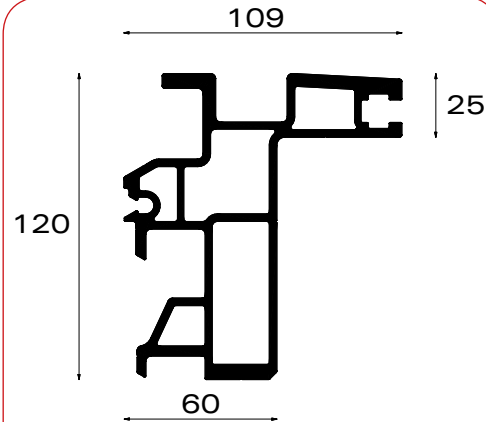


* The small red PP band is mounted on the top of the curtain.

PART NR.

L = 9m 242-06209
L = 14m 242-06214
L = 0,45m 242-06201

2a Duo Penta rail (Al)

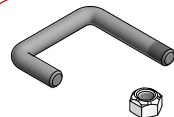


PART NR.

L = 5m 162-30500
L = 7,8m 162-30780
L = 8,5m 162-30850
* L = 10,5m 162-30105
* L = 13,6m 162-30136

* profile with pre-bending & milling

9 Set door stop-



PART NR.

144-10143

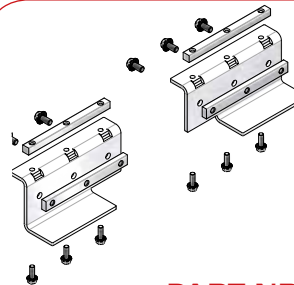
Velcro strap



PART NR.

L = 300mm 312-08001

11 Set mounting

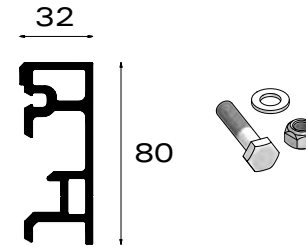


PART NR.

Set 154-03101

* Only for Al Duo Penta

2b Penta City rail (Al)



PART NR.

Rail L = 7m 162-29700
Set (1set/m) 144-10129

* Use this rail with a steel frame

6a Rail insert Penta City

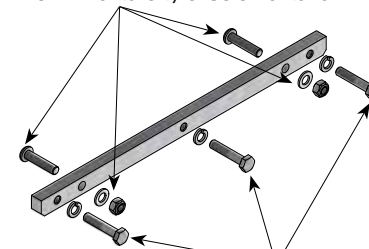


PART NR.

L = 0,5m 162-29005

7 Set steel insert

For Al Penta City & Solo Penta rail

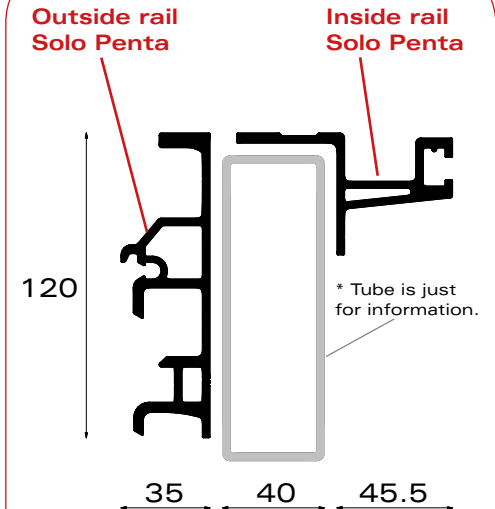


For Al Duo Penta rail

PART NR.

Set 144-10119

2c Solo Penta rail (Al)



PART NR.

Rail (out) L = 7,8m 162-41780
Rail (out) L = 8,5m 162-41850
Rail (in) L = 7,8m 162-43780
Rail (in) L = 8,5m 162-43850

6b Rail insert Solo Penta

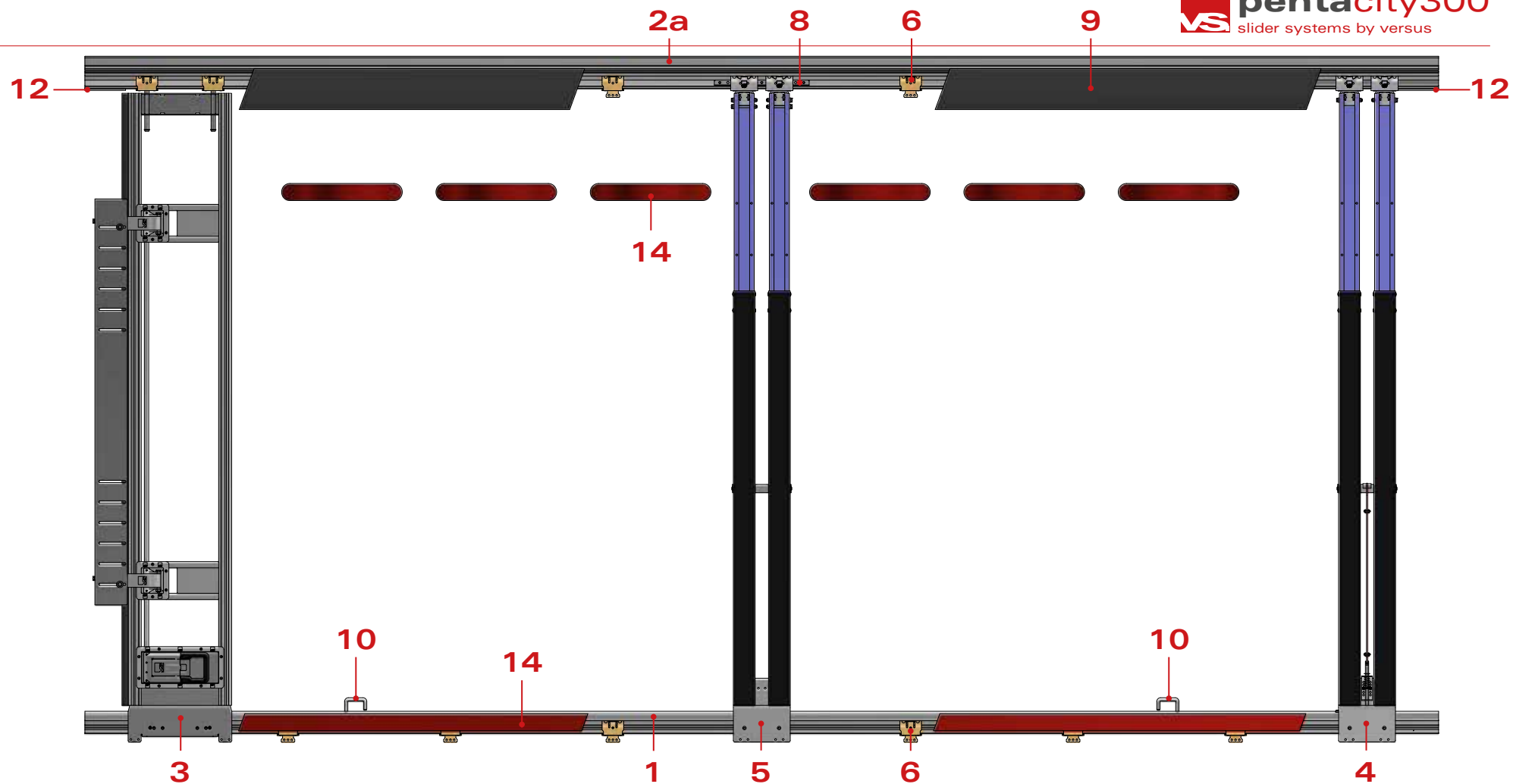


PART NR.

L = 0,5m 162-41005

 : PENTA CITY 300

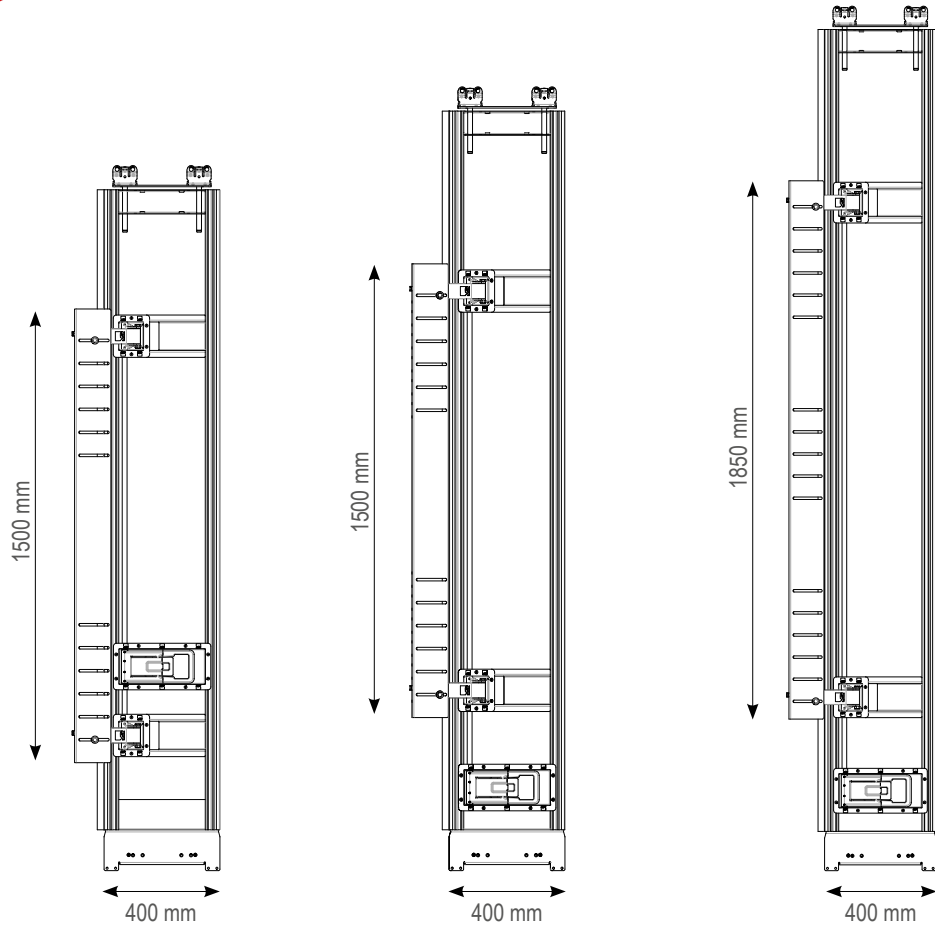




1	Penta City rail type B (Al)	7a*	Rail insert Penta City
2a	Duo Penta rail (Al)	7b*	Rail insert Solo Penta
2b*	Penta City rail (Al)	8	Set steel insert
2c*	Solo Penta rail (Al)	9	PVC pelmet
3	Quick lock door	10	Set door stopper
4	Basic door	11*	Set fixation curtain
5	Pillar	12	Set mounting plates
6	Penta City roller	13*	Locking nose
		14	PP band

* Not visible on the composition drawing above

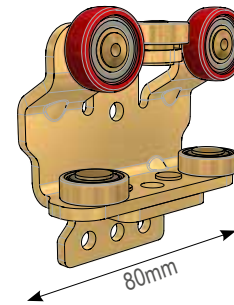
3 Quick lock door



	PART NR.	PART NR.	PART NR.
Left SA	614-01112	614-01100	614-01101
Right SA	614-01113	614-01103	614-01104
Left LA	614-01114	614-01106	614-01107
Right LA	614-01115	614-01109	614-01110
	Extra Small 1920-2170mm	Small 2171-2420mm	Medium 2421-2800mm

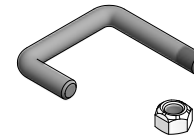
Small arm (SA) = short hinge arm covering distance of 40 to 103mm
Large arm (LA) = long hinge arm covering distance of 103 to 190mm

6 Penta City roller



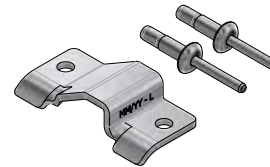
PART NR.
284-50020

10 Set door stopper



PART NR.
144-10143

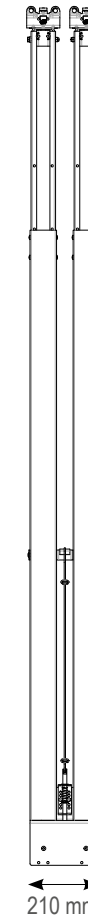
13 Locking nose



* The figure is left rear
in driving direction.

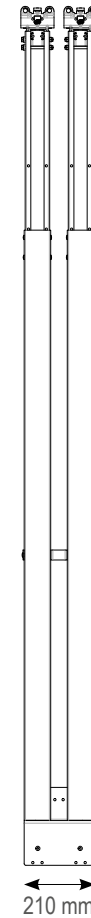
PART NR.
Left 144-10161
Right 144-10162

4 Basic door



PART NR.
XS 614-03005
S 614-03006
M 614-03007

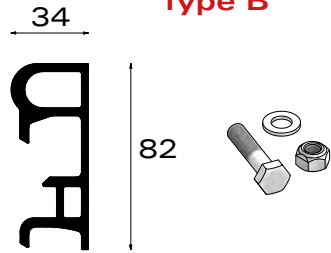
5 Pillar



PART NR.
XS 614-02002
S 614-02003
M 614-02004

Extra Small (XS) = aperture height between 1920 and 2170mm
Small (S) = aperture height between 2171 and 2420mm
Medium (M) = aperture height between 2421 and 2700mm

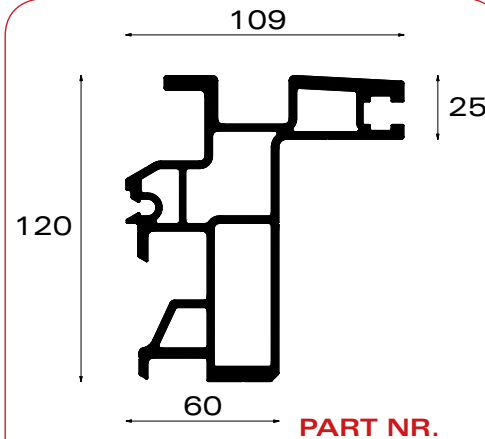
**1 Penta City rail (Al)
Type B**



PART NR.

Rail L = 7m 162-40700
Set (1set/m) 144-10129

2a Duo Penta rail (Al)

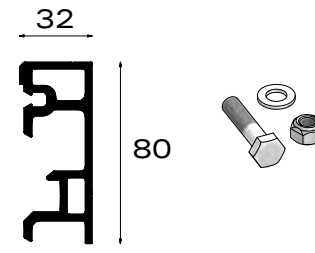


PART NR.

L = 5m 162-30500
L = 7,8m 162-30780
L = 8,5m 162-30850
* L = 10,5m 162-30105
* L = 13,6m 162-30136

*profile with pre-bending & milling

2b Penta City rail (Al)

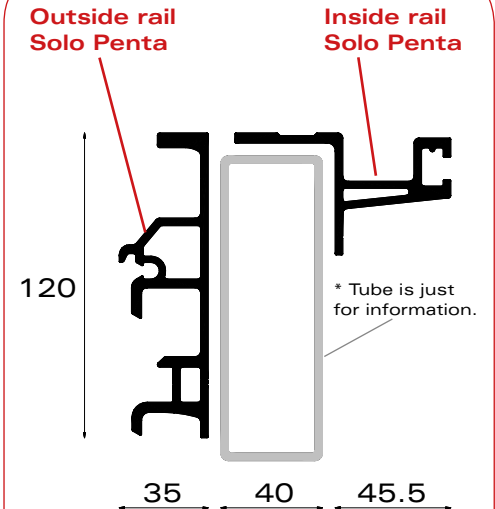


PART NR.

Rail L = 7m 162-29700
Set (1set/m) 144-10129

*Use this rail with a steel frame

2c Solo Penta rail (Al)



PART NR.

Rail (out) L = 7,8m 162-41780
Rail (out) L = 8,5m 162-41850
Rail (in) L = 7,8m 162-43780
Rail (in) L = 8,5m 162-43850

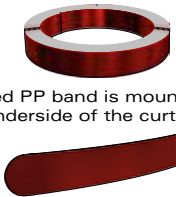
9 PVC pelmet (black)



PART NR.

L = 9m 242-02109
L = 14m 242-02114

14 PP Band (red)



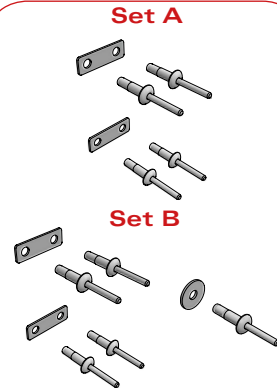
* The red PP band is mounted on the underside of the curtain.

* The small red PP band is mounted on the top of the curtain.

PART NR.

L = 9m 242-06209
L = 14m 242-06214
L = 0,45m 242-06201

11 Set fix. curtain



PART NR.

Set A 144-10144

Set B 144-10140

1x Set A / Al door
1x Set A / 2 penta city rollers
1x Set A / basic door
2x Set A / pillar
1x Set B / QL-door

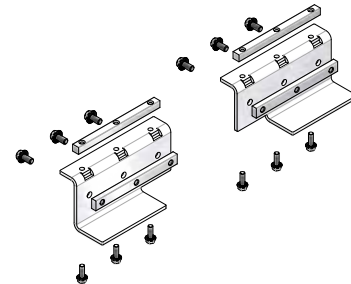
Velcro strap



PART NR.

L = 300mm 312-08001

12 Set mounting plates



PART NR.

Set 154-03101

*Only for Al Duo Penta rail

7a Rail insert penta city

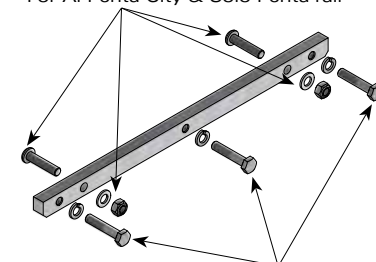


PART NR.

L = 0,5m 162-29005

8 Set steel insert

For Al Penta City & Solo Penta rail



For Al Duo Penta rail

PART NR.

Set 144-10119

7b Rail insert Solo Penta



PART NR.

L = 0,5m 162-41005



Versus-Omega
Nijverheidslaan 1527a
B-3660 Oudsbergen
Belgium

t. +32 89 320 190
f. +32 89 320 199
e. info@versus-omega.com
w. www.versus-omega.com

