



Revision 01/10/2022

VS



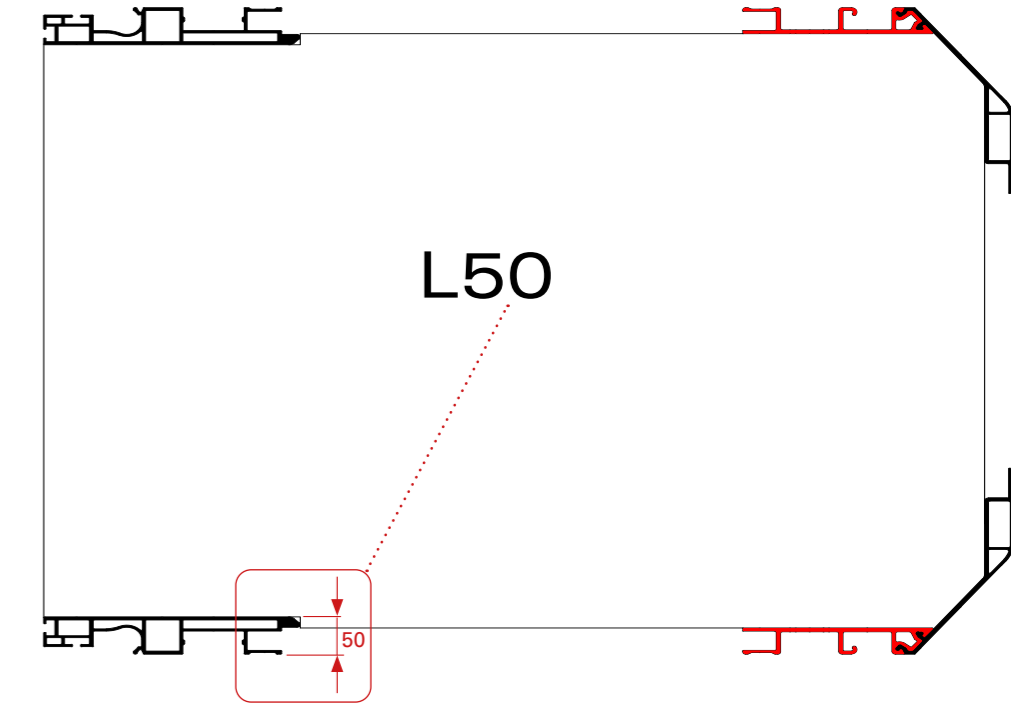
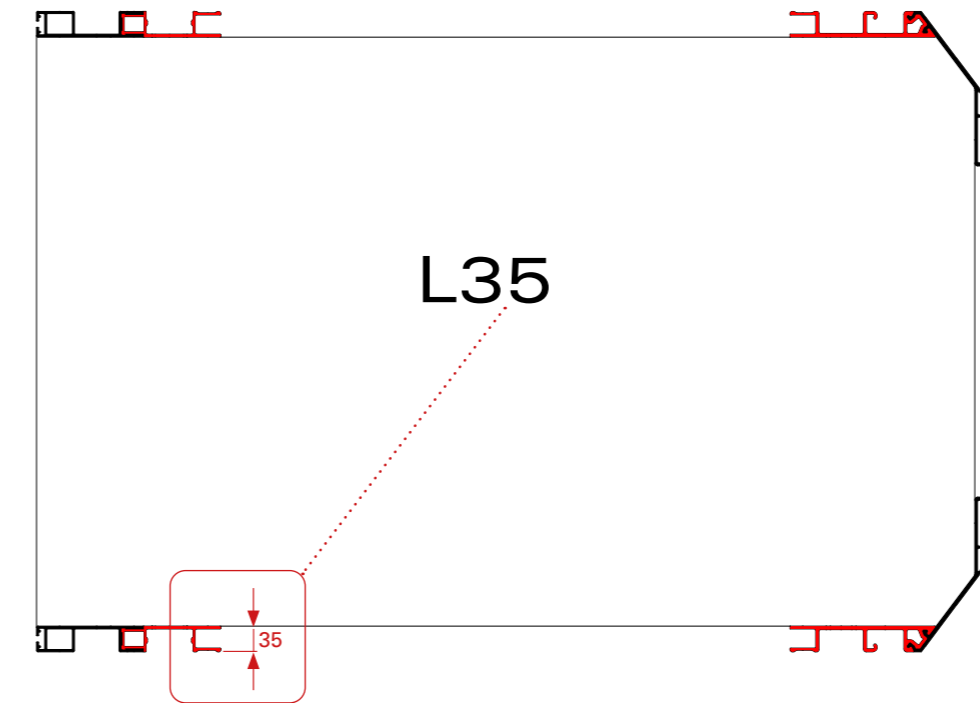
 : KITS LARGE

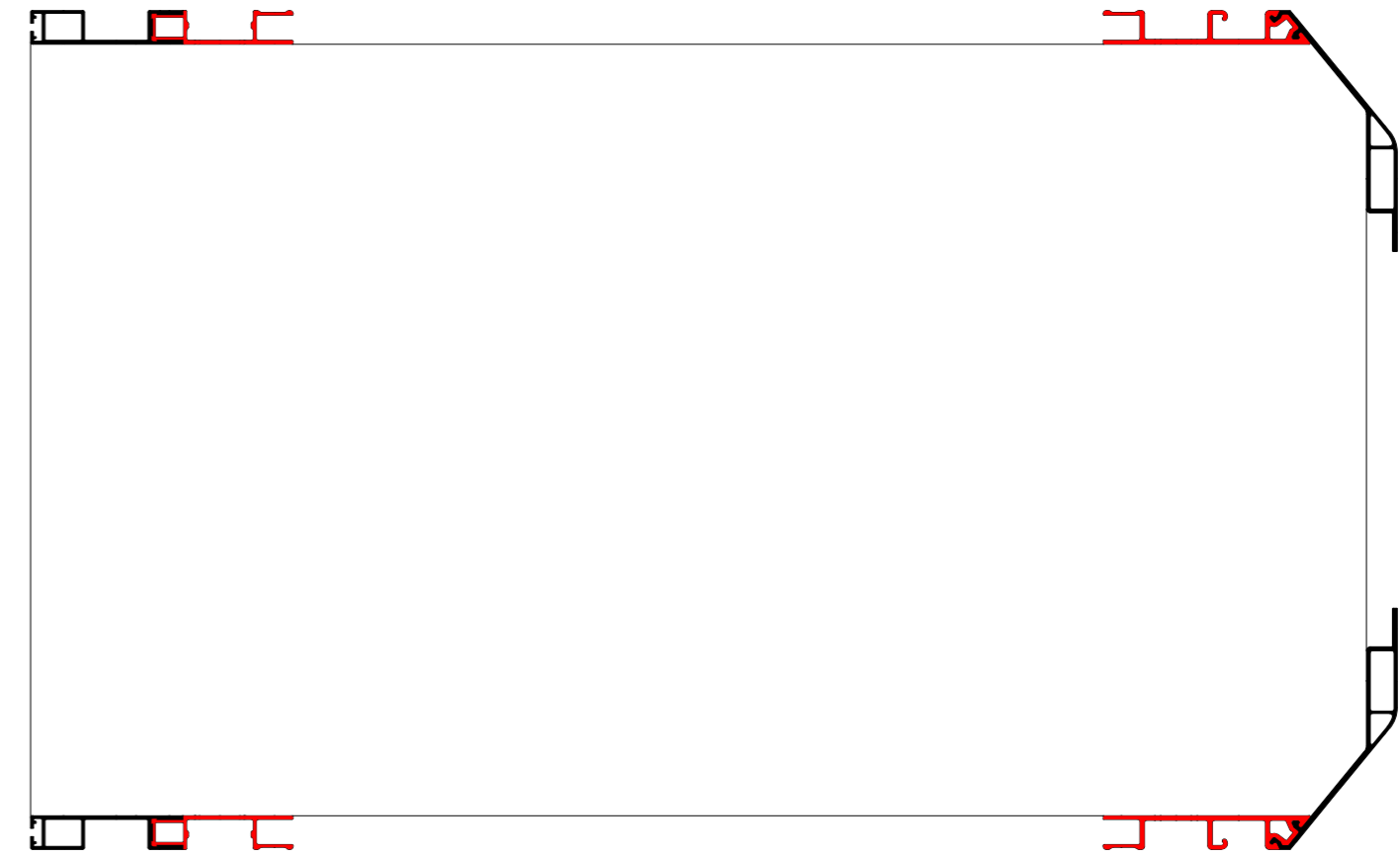


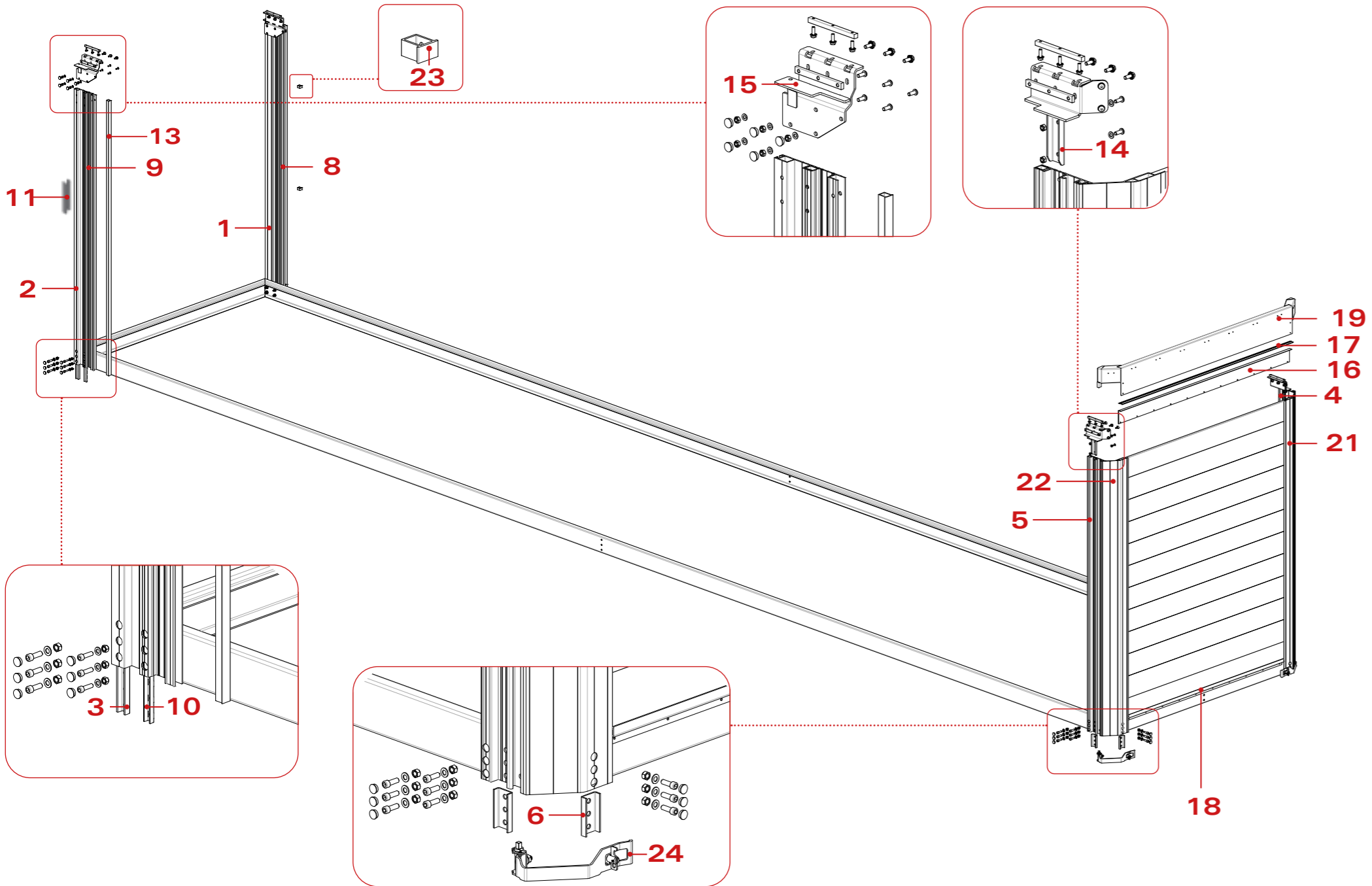
Type of kit

Page

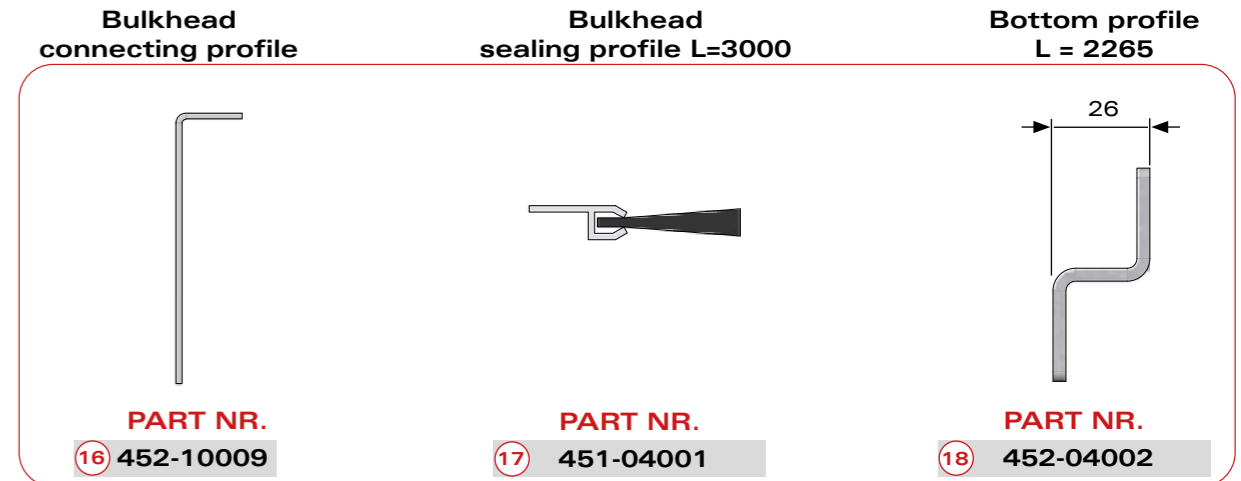
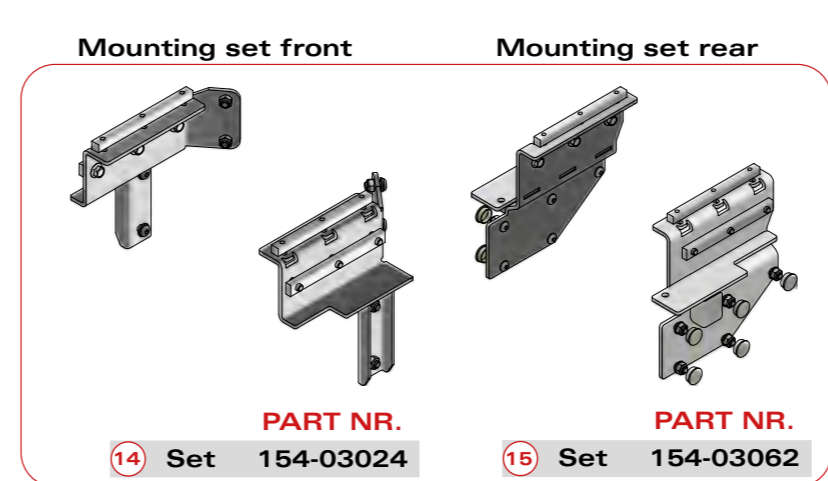
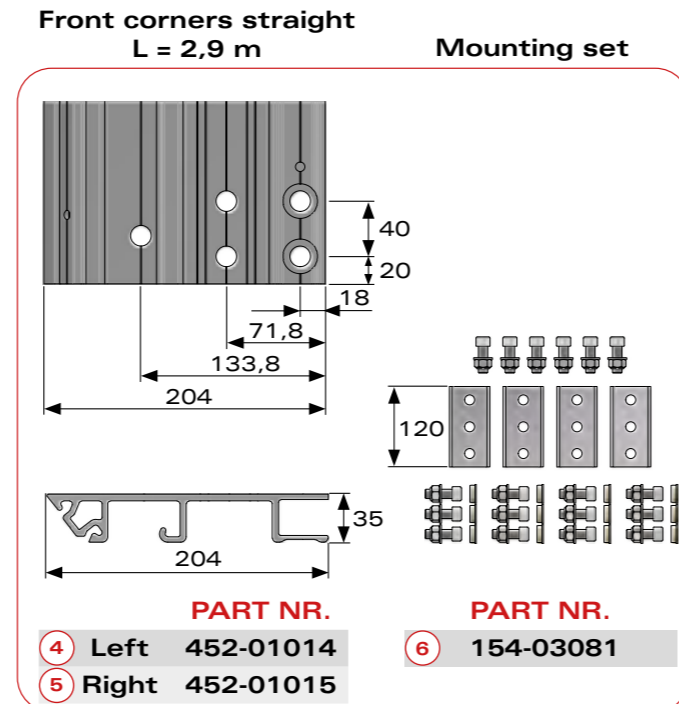
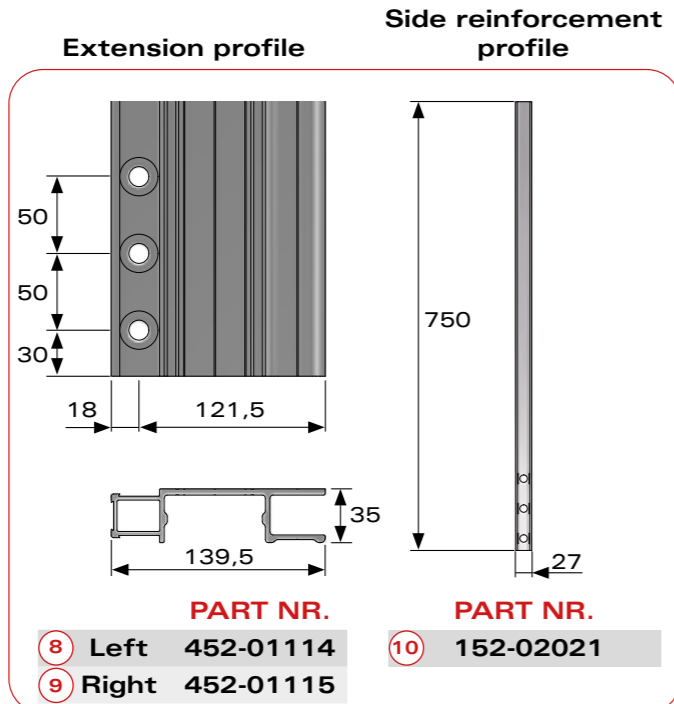
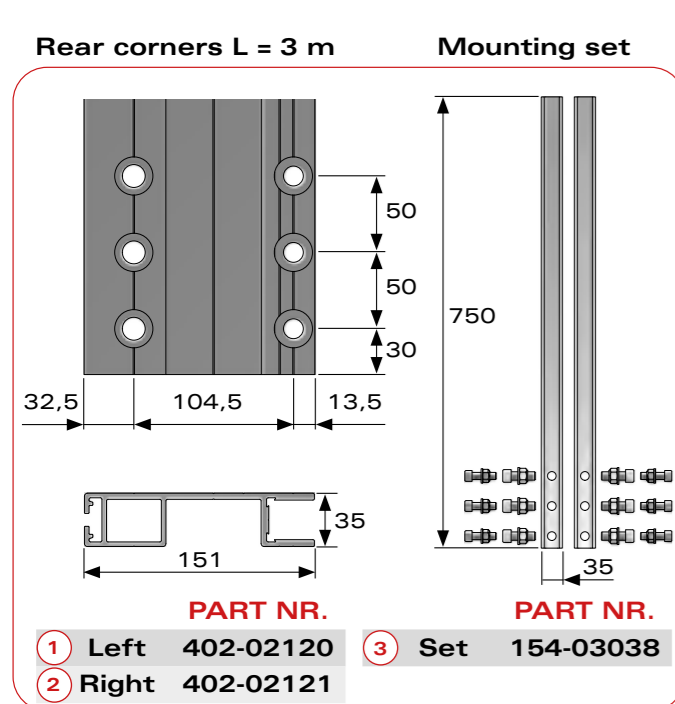
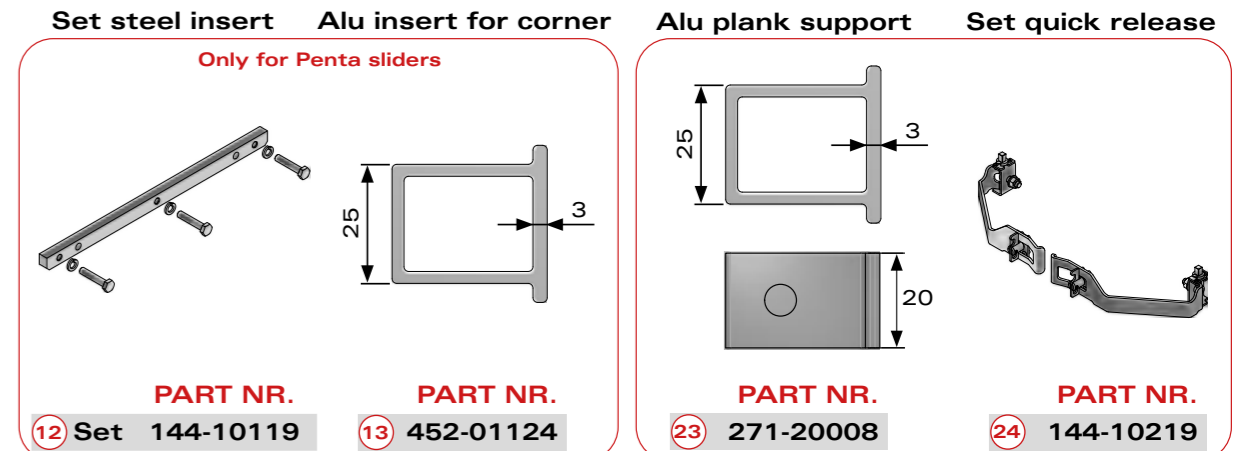
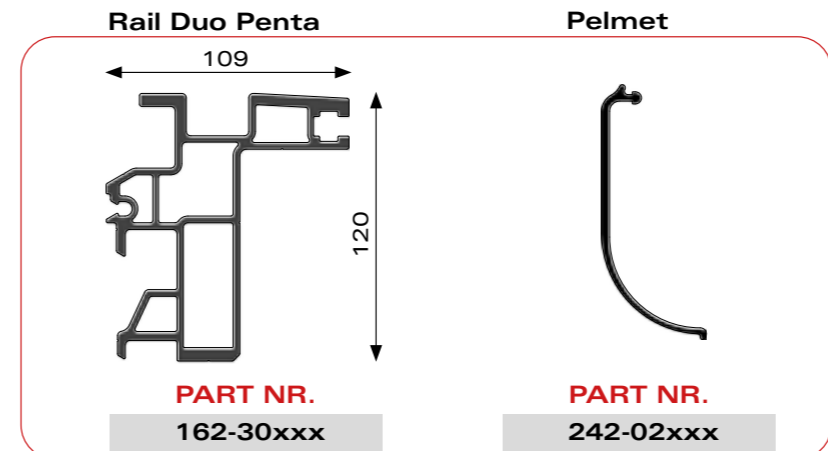
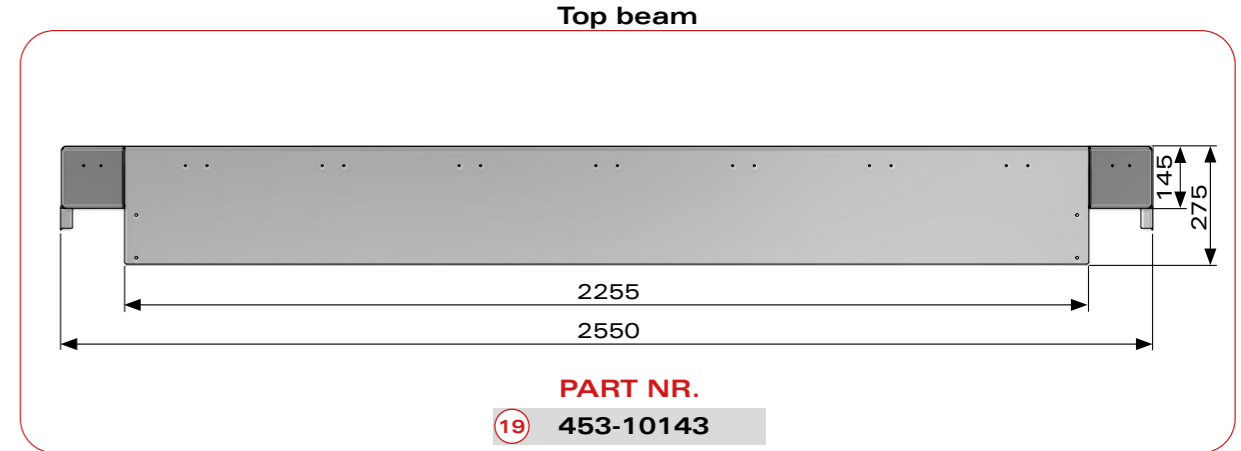
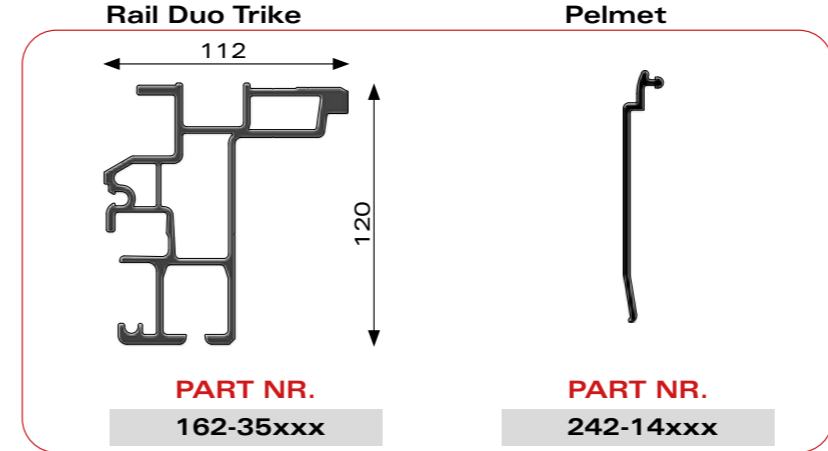
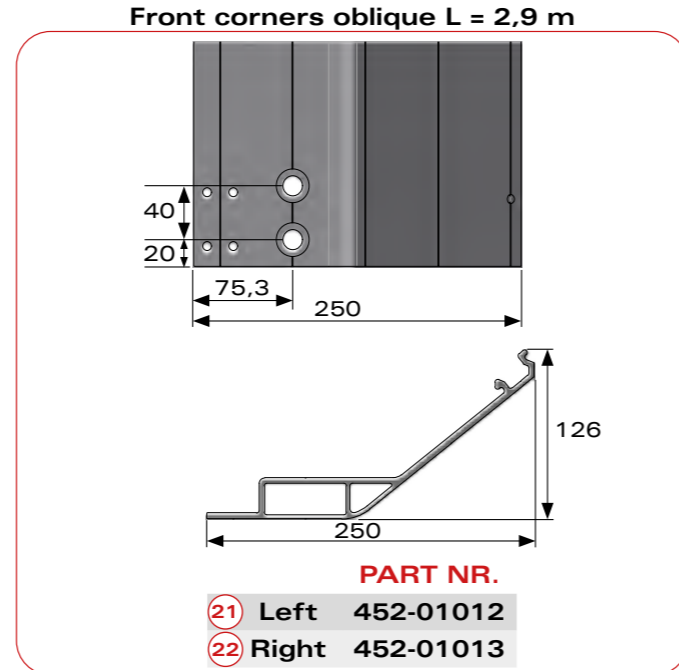
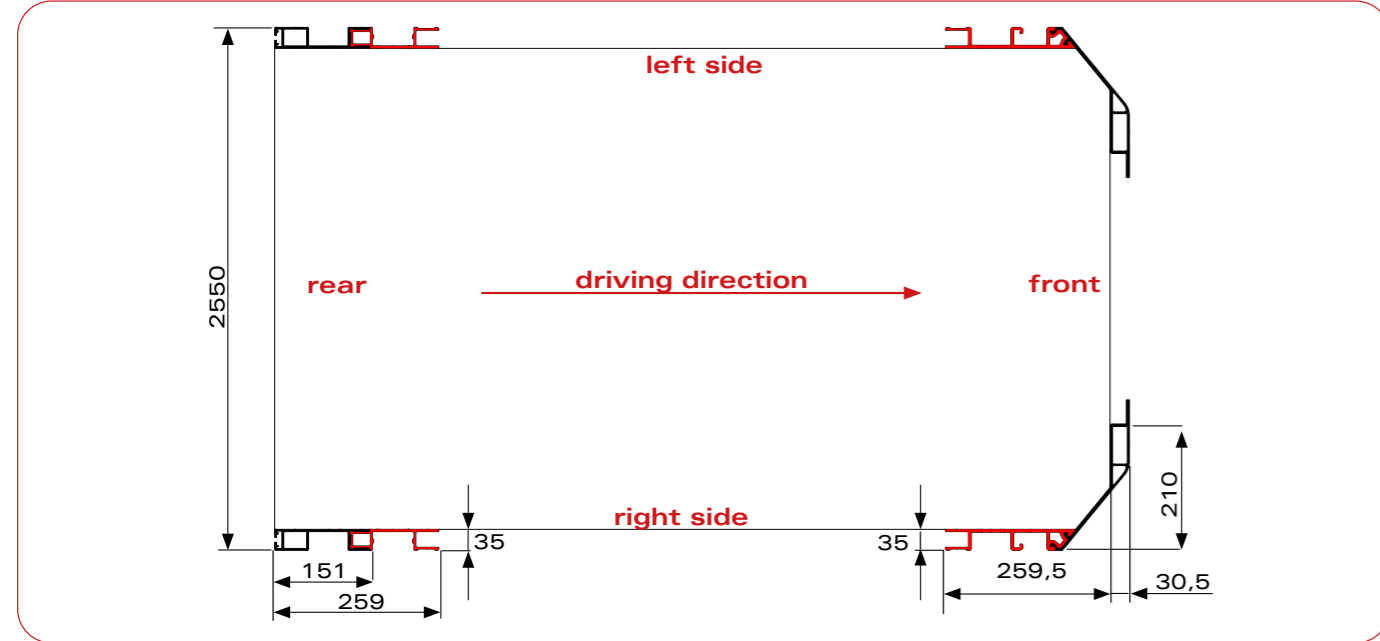


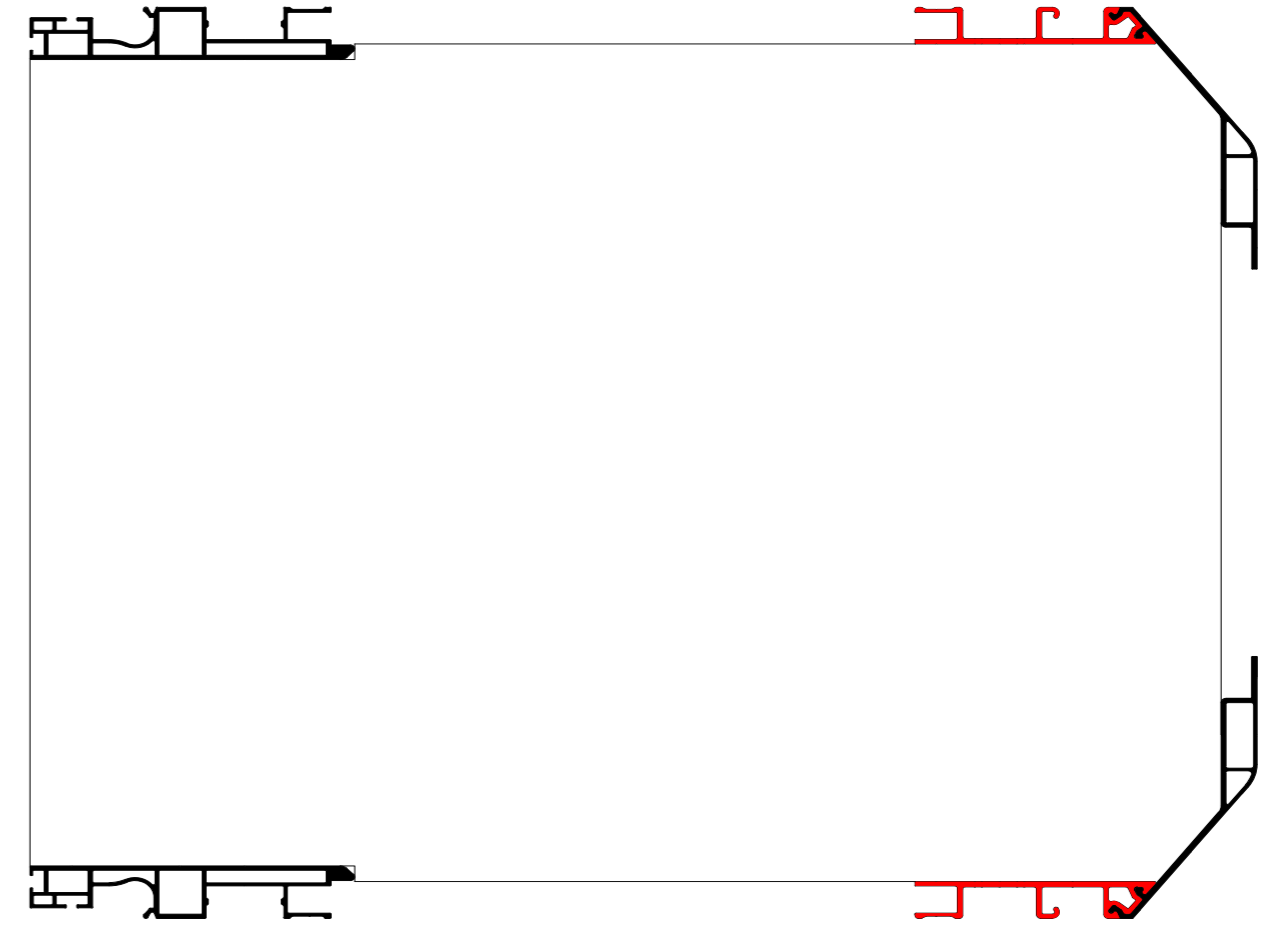


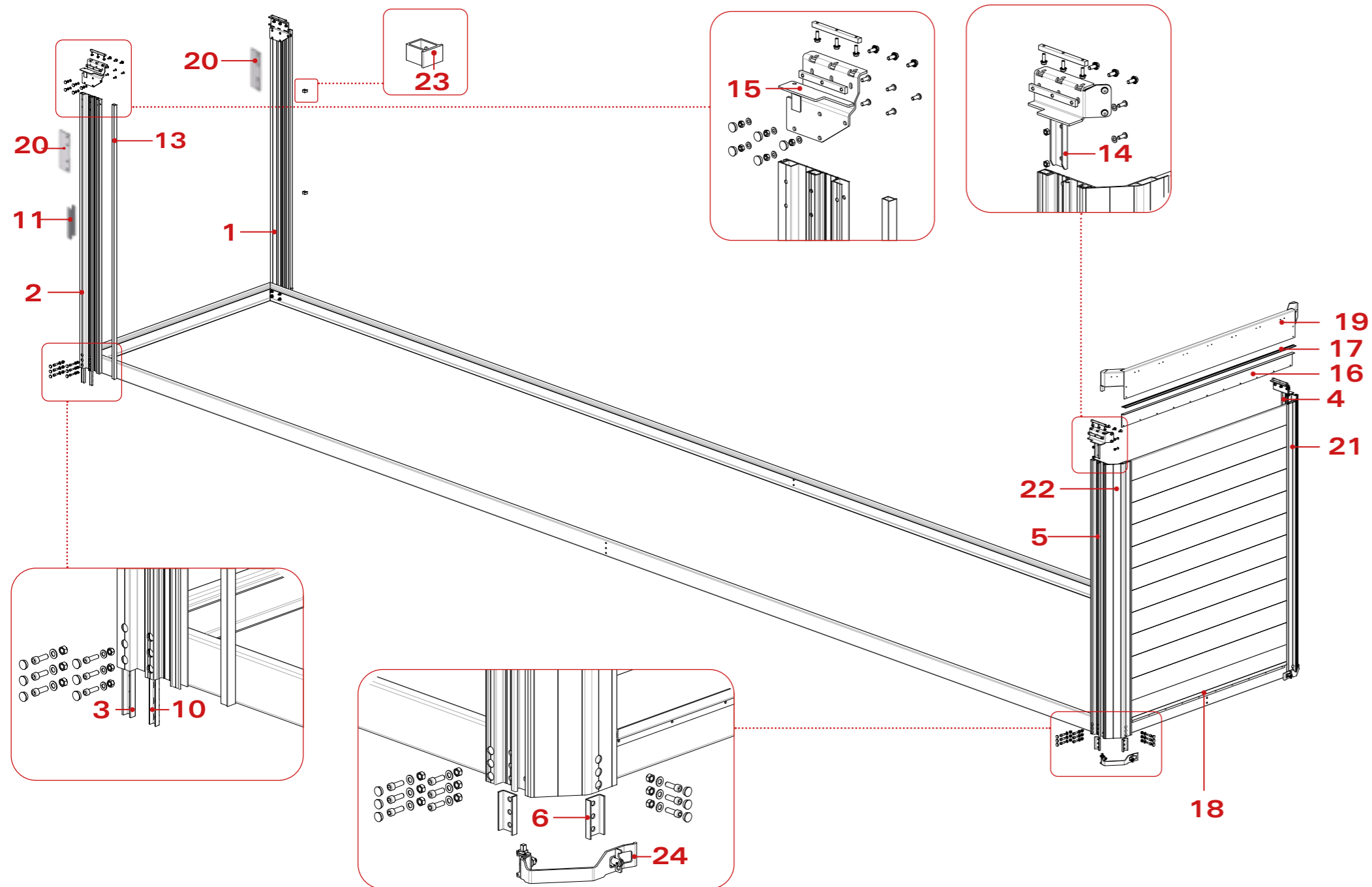




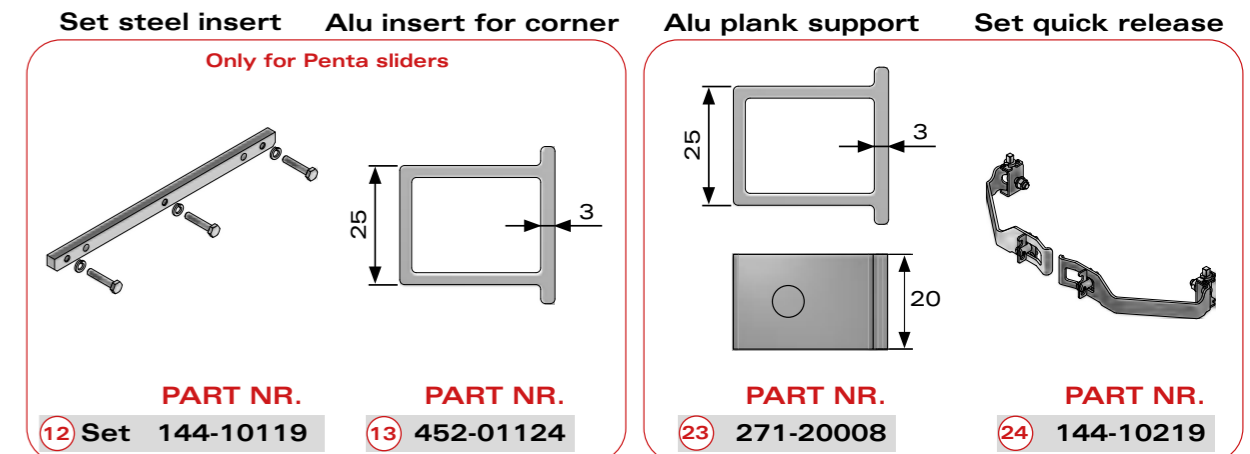
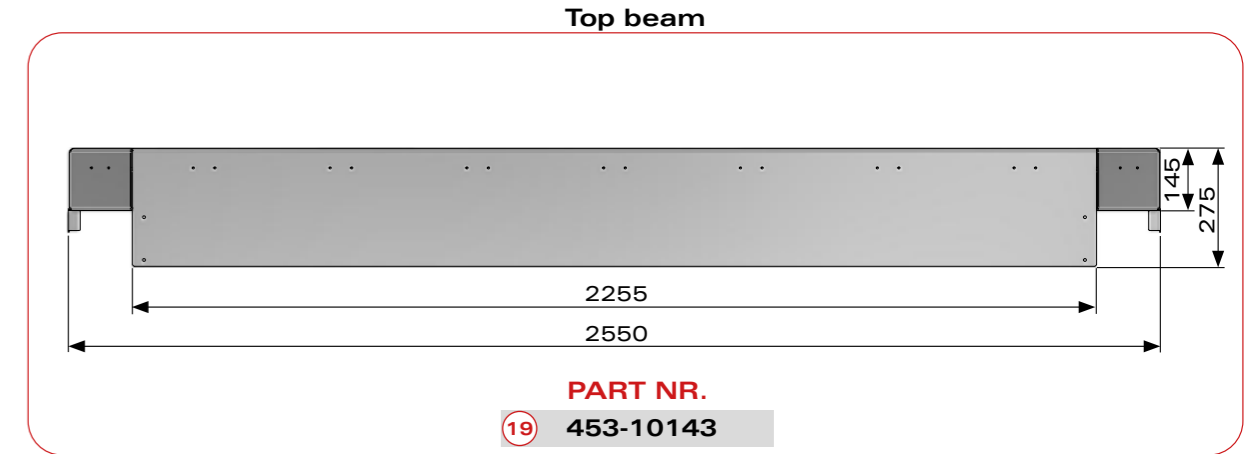
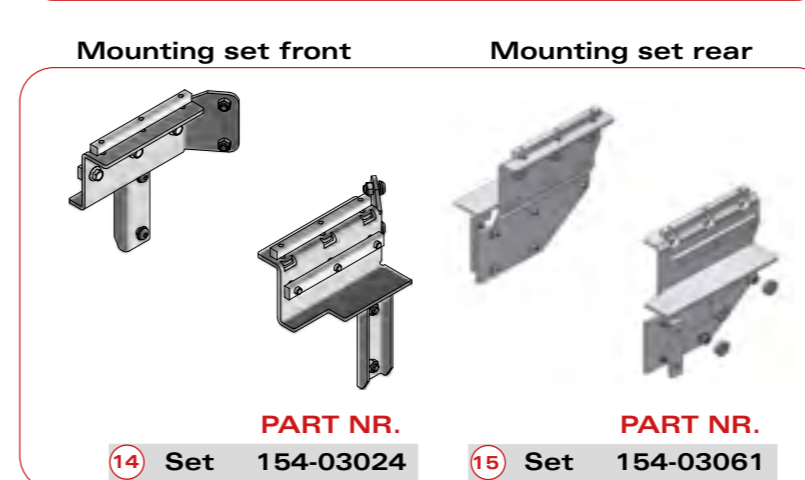
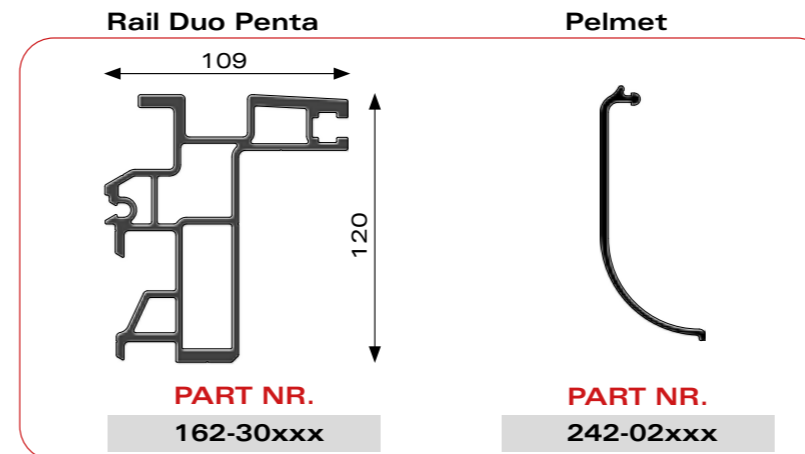
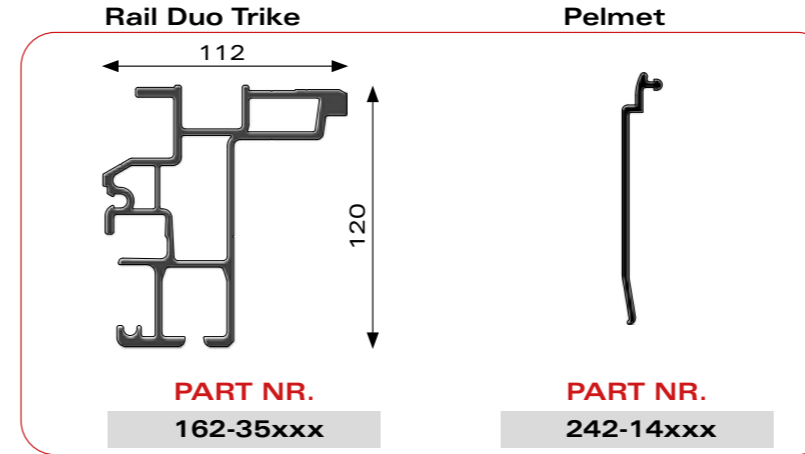
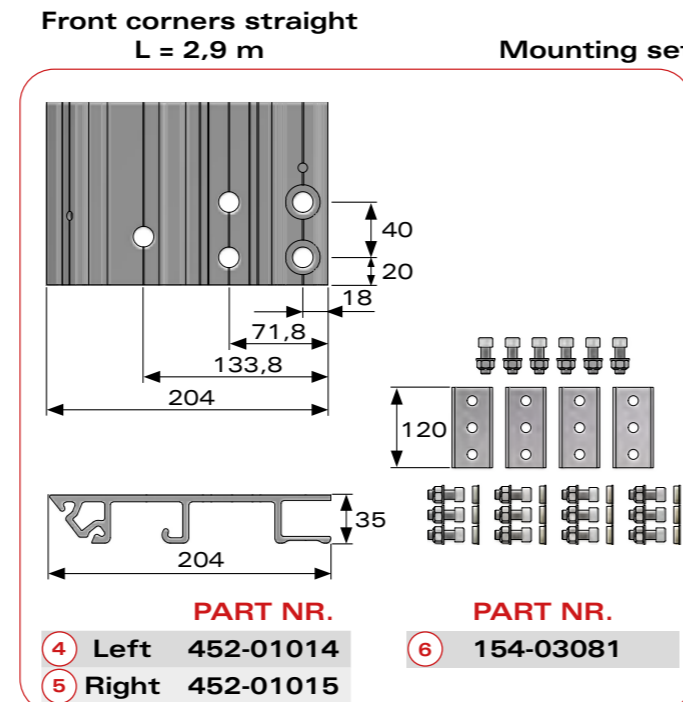
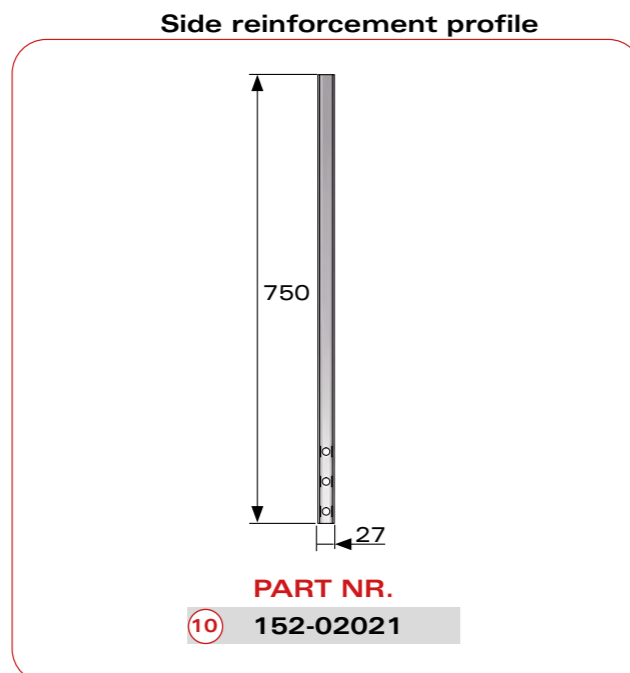
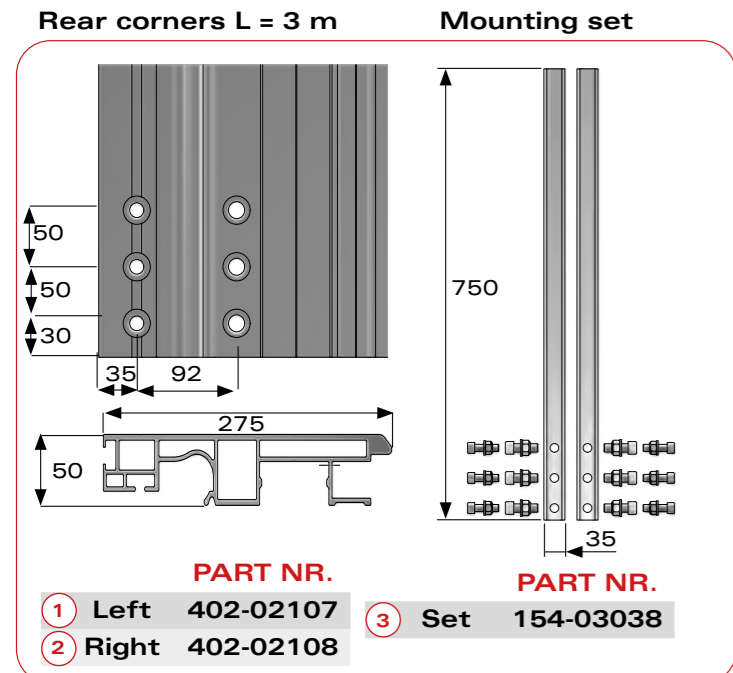
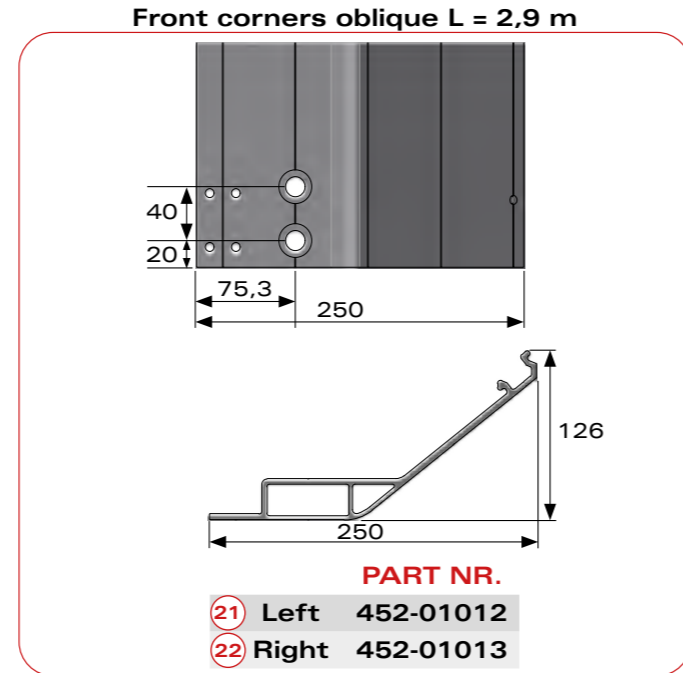
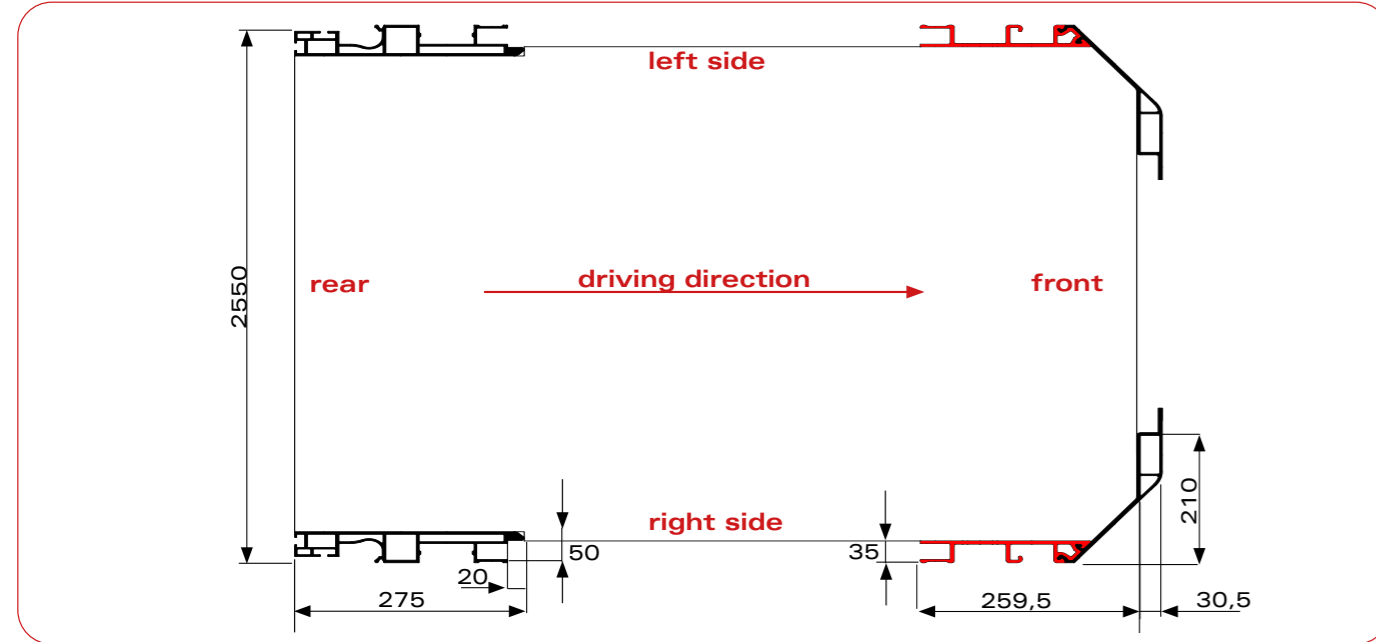
Nr.	Description	Part Nr.	Qty
1	Rear left corner / Aluminium / L=3000mm	402-02120	1
2	Rear right corner / Aluminium / L=3000mm	402-02121	1
3	Reinforcement set with bolts for rear corners	154-03038	1
4	Front left corner straight / Aluminium / L=2900mm	452-01014	1
5	Front right corner straight / Aluminium / L=2900mm	452-01015	1
6	Reinforcement set with bolts for front corners	154-03081	1
7	Set bulkhead support with bolts		
8	Extension profile left	452-01114	1
9	Extension profile right	452-01115	1
10	Side profile reinforcement	153-02021	2
11	Retaining hook for curtain side	311-01014	4
12	Insert set for upper rail	144-10119	Penta
13	Aluminium insert for corner profiles	452-01124	Penta
14	Front mounting set for rail	154-03024	1
15	Rear mounting set for rail	154-03062	1
16	Bulkhead upper connecting profile	452-10009	1
17	Bulkhead sealing profile	451-04001	1
18	Bottom profile for wall mounting	452-04002	1
19	Upper connecting profile set for lifting roof	453-10143	1
20	Side stop plate set for tail lift		
21	Bulkhead extension L front	452-01012	1
22	Bulkhead extension R front	452-01013	1
23	Side plank holders	271-20008	on request
24	Quick release set	144-10219	1







Nr.	Description	Part Nr.	Qty
1	Rear left corner / Aluminium / L=3000mm	402-02107	1
2	Rear right corner / Aluminium / L=3000mm	402-02108	1
3	Reinforcement set with bolts for rear corners	154-03038	1
4	Front left corner straight / Aluminium / L=2900mm	452-01014	1
5	Front right corner straight / Aluminium / L=2900mm	452-01015	1
6	Reinforcement set with bolts for front corners	154-03081	1
7	Set bulkhead support with bolts		
8	Extension profile left		
9	Extension profile right		
10	Side profile reinforcement	152-02021	2
11	Retaining hook for curtain side	311-01014	4
12	Insert set for upper rail	144-10119	Penta
13	Aluminium insert for corner profiles	452-01124	Penta
14	Front mounting set for rail	154-03024	1
15	Rear mounting set for rail	154-03061	1
16	Bulkhead upper connecting profile	452-10009	1
17	Bulkhead sealing profile	451-04001	1
18	Bottom profile for wall mounting	452-04002	1
19	Upper connecting profile set for lifting roof	453-10143	1
20	Side stop plate set for tail lift	154-07001	2
21	Bulkhead extension L front	452-01012	1
22	Bulkhead extension R front	452-01013	1
23	Side plank holders	271-20008	1
24	Quick release set	144-10219	on request



VS

Versus-Omega
Nijverheidslaan 1527a
B-3660 Oudsbergen
Belgium

t. +32 89 320 190
f. +32 89 320 199
e. info@versus-omega.com
w. www.versus-omega.com

