



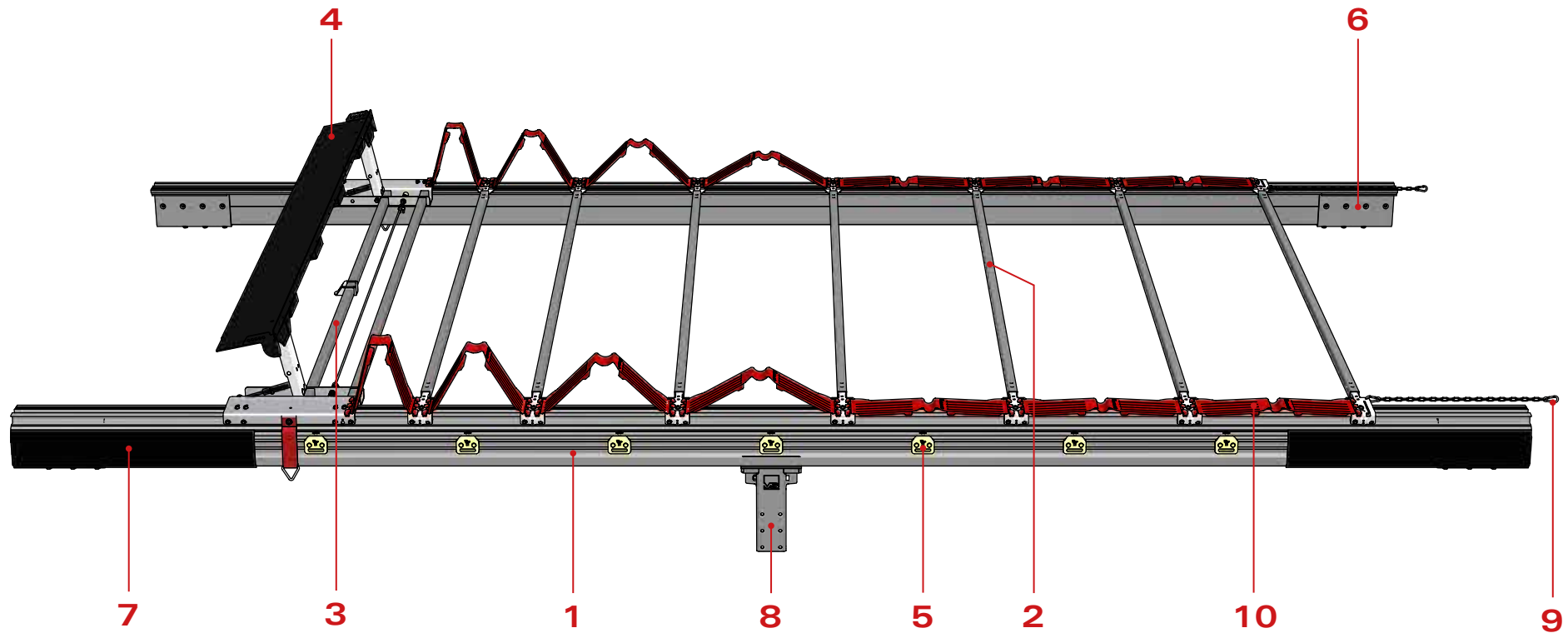
Revision: 01-03-20

Versus-omega preserves the right to alter parts and drawings at all times. Check online for the most recent updated versions.



| Type of rail | Page |
|----------------------|------|
| Alto Trike | 5 |
| Alto Trike Light | 13 |
| Duo Trike | 21 |
| Duo Trike Light | 29 |
| Kubus Trike | 37 |
| Kubus Trike Light | 45 |
| Micro Trike | 53 |
| Alto Penta | 61 |
| Duo Penta | 69 |
| Plano | 77 |
| Pico | 85 |
| Ferro | 91 |
| Euro | 99 |
| Solo Trike | 107 |
| Solo Penta | 115 |
| Options & Variations | 123 |

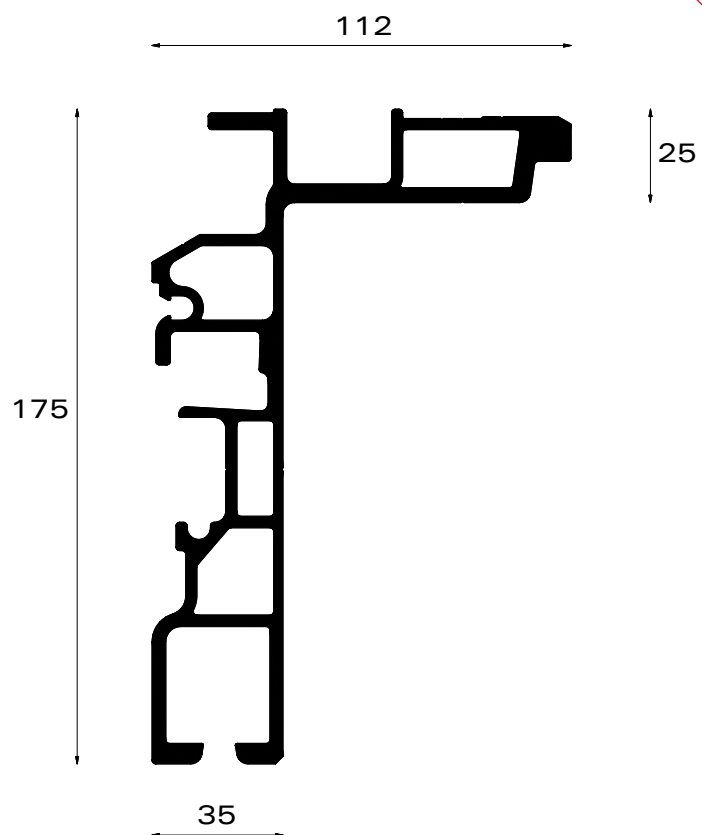




| | | | |
|----------|----------------------|------------|-----------------|
| 1 | Alto Trike rail | 7 | PVC pelmet |
| 2 | Roof stick | 8 | Pillar bracket |
| 3 | Collapsible backside | 9 | Set accessories |
| 4 | Back beam | 10 | Folding plate |
| 5 | Trike roller | 11* | Carapax plate |
| 6 | Set mounting plates | 12* | Pull bar |

* Not visible on the composition drawing above

1 Alto Trike rail



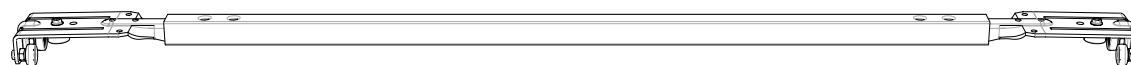
PART NR.

| | |
|-------------|-----------|
| * L = 10,2m | 162-36102 |
| * L = 13,6m | 162-36136 |

*profile with pre-bending

$I_x : 711\text{cm}^4$
 $I_y : 213\text{cm}^4$
 $\pm 6,1 \text{ kg/m}$

2a Roof stick for sliding roof



PART NR.

| | |
|------------------------|-----------|
| SB=2550 - Type SP | 224-01001 |
| SB=2550 - Type AS (Al) | 224-03001 |

2b Roof stick with anti-fly hook for sliding roof



PART NR.

| | |
|------------------------|-----------|
| SB=2550 - Type SP | 224-91001 |
| SB=2550 - Type AS (Al) | 224-93001 |

2c Roof stick for fixed roof with tarpaulin cover



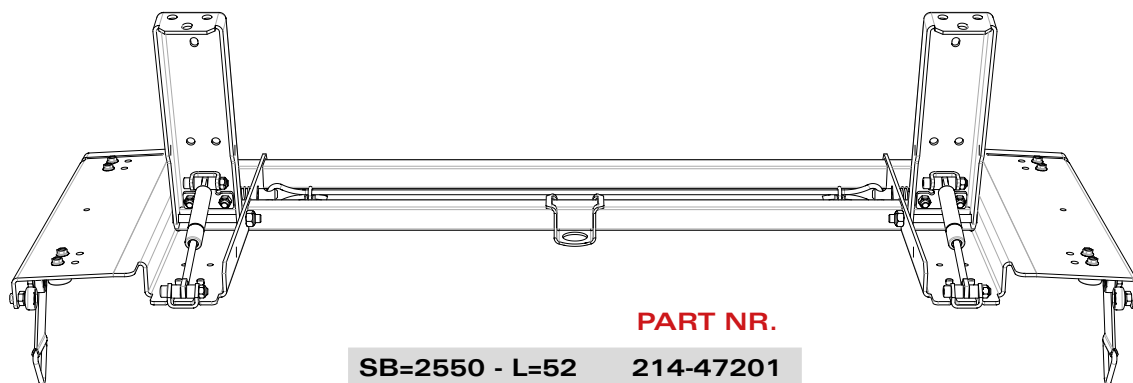
PART NR.



| | |
|------------------------|-----------|
| SB=2550 - Type SP | 224-41201 |
| SB=2550 - Type AS (Al) | 224-43201 |

* Roof stick riveted to rail with monobolts

3a Collapsible backside



PART NR.
SB=2550 - L=52 214-47201

3b Collapsible backside for fixed roof with tarpaulin cover



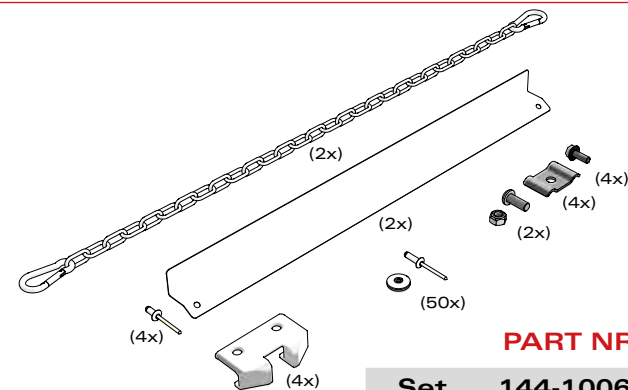
PART NR.
SB=2550 - L=100 324-47001

Front header



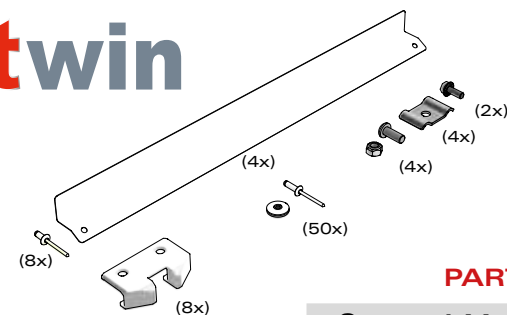
PART NR.
SB=2550 234-21001

9a Set accessories



PART NR.
Set 144-10067

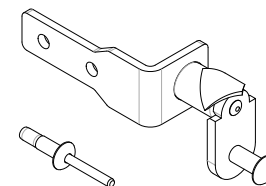
9b Set accessories Twin



PART NR.
Set 144-10082

* Alto Trike Twin sliding roof: this set replaces the basic accessories set (144-10067)!

9c Set lock collapsible backside



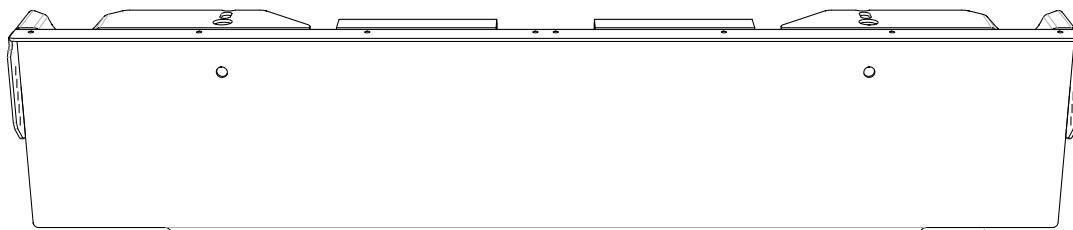
PART NR.
Set 144-10086

9d Set accessories external unlocking

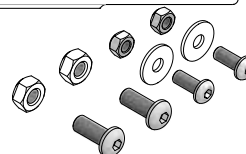


PART NR.
Set 144-10174

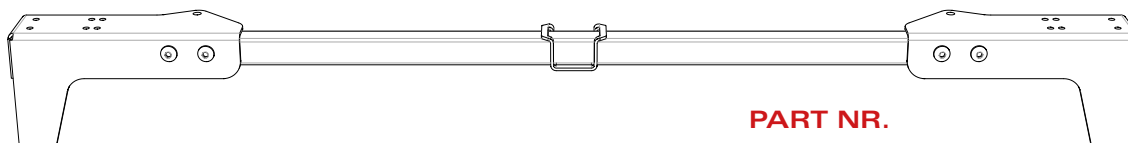
4a Back beam



| | PART NR. |
|----------------|-----------|
| SB=2550 - 208Z | 193-18001 |
| Mounting set | 144-10022 |

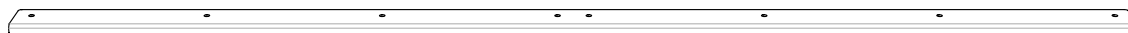


4b Back beam



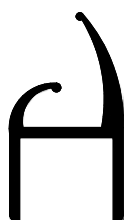
| | PART NR. |
|----------------------------|-----------|
| Set back beam tube 30x30mm | 144-10037 |
| Tube 30x30x2mm | 112-07001 |

Rain strip for back beam (4a)



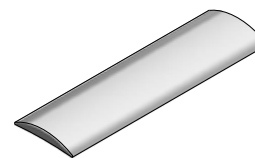
| | PART NR. |
|---------|-----------|
| SB=2550 | 192-01601 |

Rain strip for front header

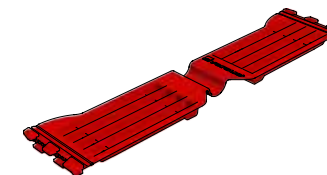


ttwin

| | PART NR. |
|-------------------------------|-----------|
| Rain strip SB=2550 | 192-01606 |
| PVC pelmet L = 2,6m (black) | 242-20001 |
| Mounting strip 30x5mm L= 2,6m | 292-07001 |



10 Folding plate



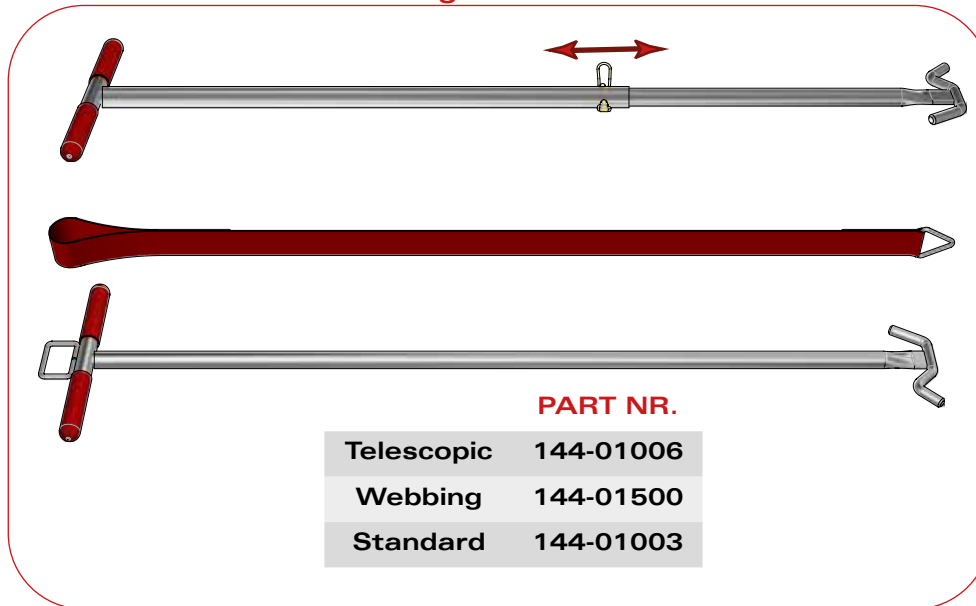
| | PART NR. |
|----------|-----------|
| Type 400 | 242-01004 |
| Type 500 | 242-01005 |
| Type 600 | 242-01006 |
| Type 700 | 242-01007 |
| Type 570 | 242-01057 |
| Type 650 | 242-01065 |

7 PVC pelmet (black)



| | PART NR. |
|---------|-----------|
| L = 9m | 242-14109 |
| L = 14m | 242-14114 |

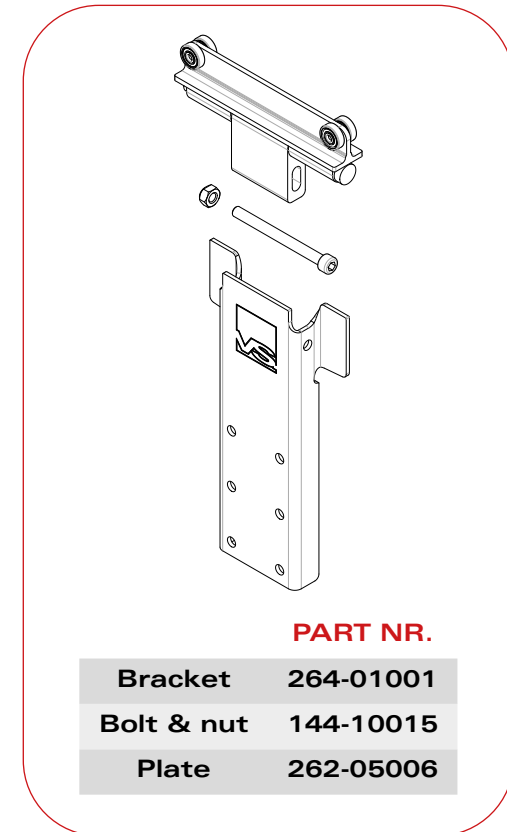
12 Pull bars & webbing



PART NR.

| | |
|------------|-----------|
| Telescopic | 144-01006 |
| Webbing | 144-01500 |
| Standard | 144-01003 |

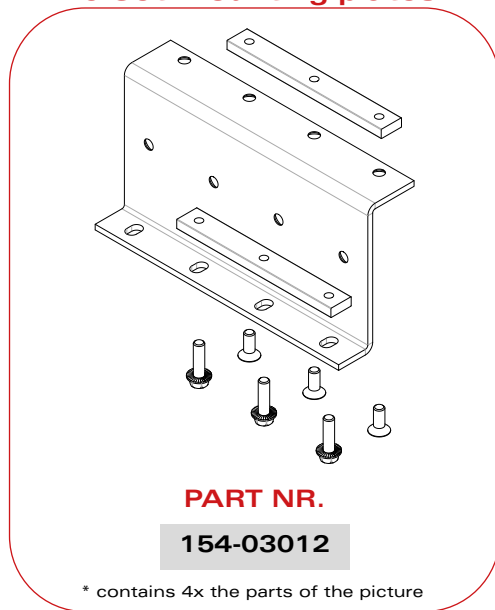
8 Pillar bracket



PART NR.

| | |
|------------|-----------|
| Bracket | 264-01001 |
| Bolt & nut | 144-10015 |
| Plate | 262-05006 |

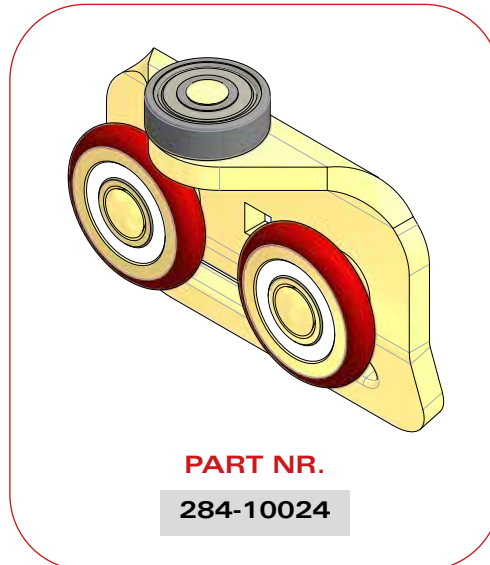
6 Set mounting plates



PART NR.
154-03012

* contains 4x the parts of the picture

5 Trike roller



PART NR.
284-10024

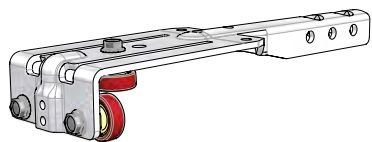
11 Carapax plate



PART NR.
291-03004

* only needed for roof with Carapax cover

For roof sticks



Assembled bracket

PART NR.

174-02001



Roller bearing plastic

PART NR.

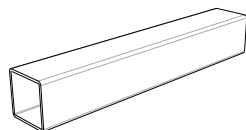
132-01001



Bolt tensilock M6x16mm

PART NR.

091-23001

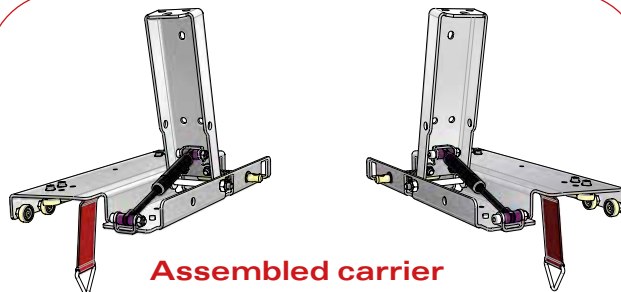


Tube 30x30x1,5mm

PART NR.

L = 2185mm 112-01003

For collapsible backside

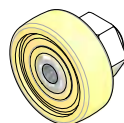


Assembled carrier

PART NR.

Left 204-47201

Right 204-47202



Roller bearing steel

PART NR.

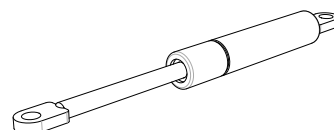
132-03001



Bolt tensilock M6x16mm

PART NR.

091-23001

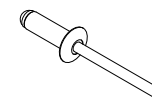


Gas spring 700N

PART NR.

302-01001

For accessories set



Rivet & washer

PART NR.

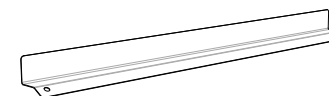
50 pieces 144-10003



Rope clamp

PART NR.

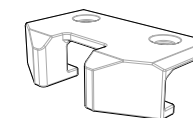
292-01001



Protection plate

PART NR.

142-06006



Locking nose

PART NR.

142-05020

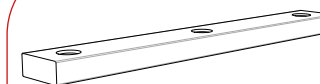


Chain with 2 hooks

PART NR.

142-07001

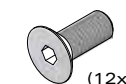
For mounting set



Mounting block

PART NR.

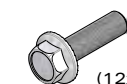
152-02001



Bolt M10x25mm

PART NR.

091-26002

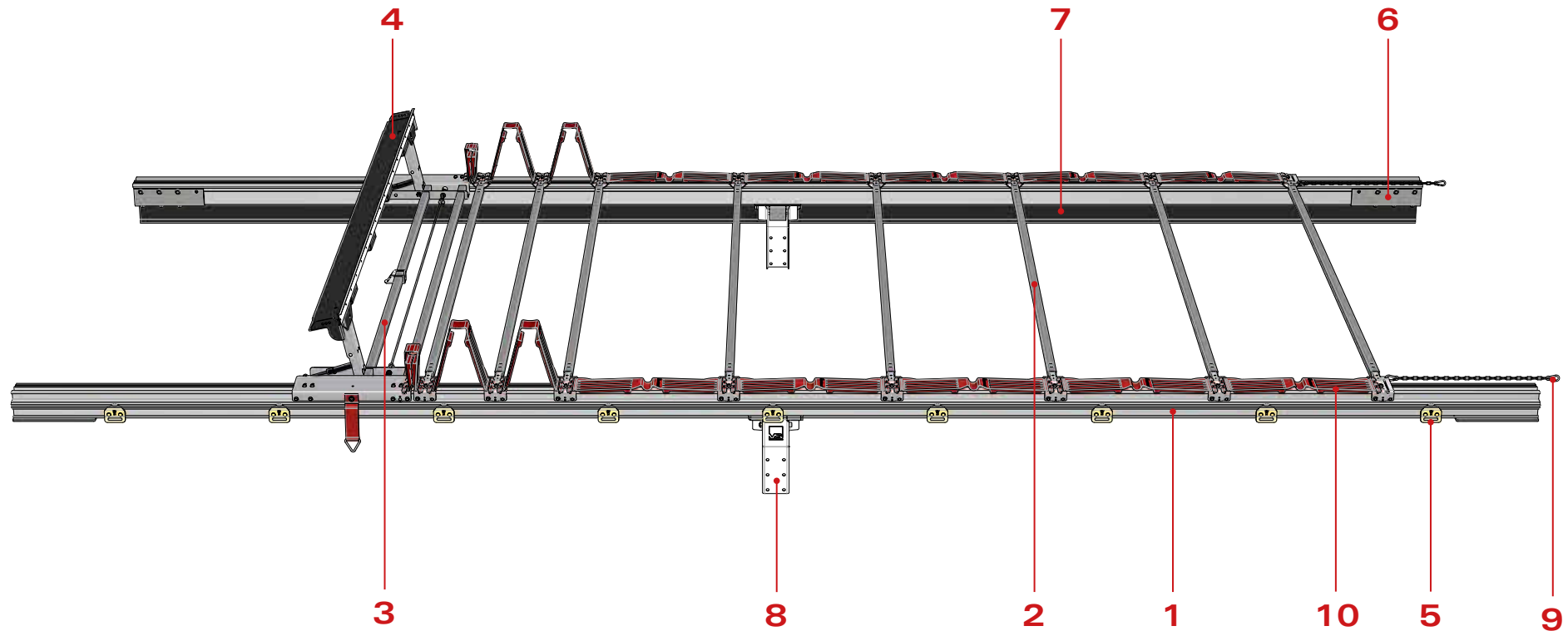


Bolt tensilock M10x35mm

PART NR.

091-23002

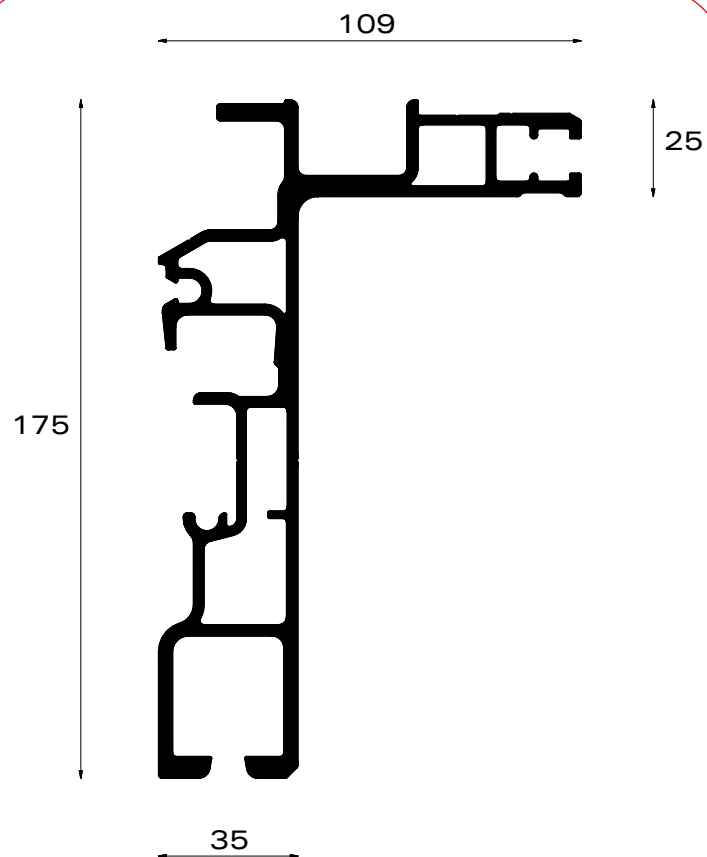




| | |
|----------|-----------------------|
| 1 | Alto Trike Light rail |
| 2 | Roof stick |
| 3 | Collapsible backside |
| 4 | Back beam |
| 5 | Trike roller |
| 6 | Set mounting plates |

| | |
|-----------|-----------------|
| 7 | PVC pelmet |
| 8 | Pillar bracket |
| 9 | Set accessories |
| 10 | Folding plate |
| 11 | Carapax plate |
| 12 | Pull bar |

1 Alto Trike Light rail



PART NR.

| | |
|----------|-----------|
| L = 7,8m | 162-22780 |
| L = 8,5m | 162-22850 |

$I_x : 681\text{cm}^4$
 $I_y : 162\text{cm}^4$
 $\pm 5,8 \text{ kg/m}$

2a Roof stick for sliding roof



PART NR.

| | |
|------------------------|-----------|
| SB=2550 - Type SP | 224-01001 |
| SB=2550 - Type AS (Al) | 224-03001 |

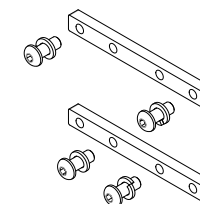
2b Roof stick for fixed roof with polyester cover



PART NR.



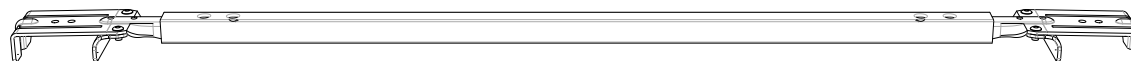
| | |
|-----------------------------|-----------|
| SB=2550 - Type SP | 224-41101 |
| SB=2550 - Type AS (Al) | 224-43101 |
| Mounting set roof stick fix | 144-10048 |



* Roof stick screwed to rail with bolts

* 1 set/roof stick

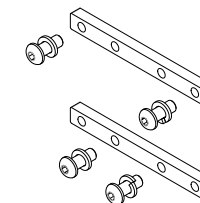
2c Roof stick for fixed roof with tarpaulin cover



PART NR.



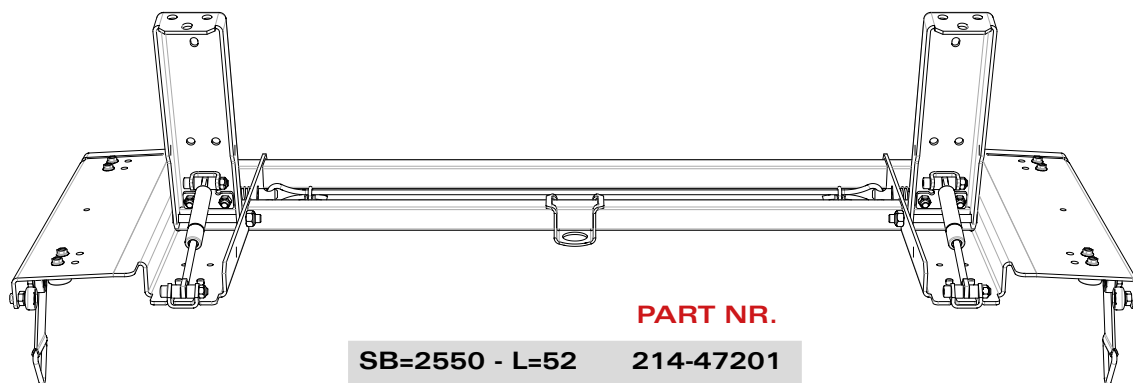
| | |
|-----------------------------|-----------|
| SB=2550 - Type SP | 224-41211 |
| SB=2550 - Type AS (Al) | 224-43211 |
| Mounting set roof stick fix | 144-10048 |



*Roof stick screwed to rail with bolts

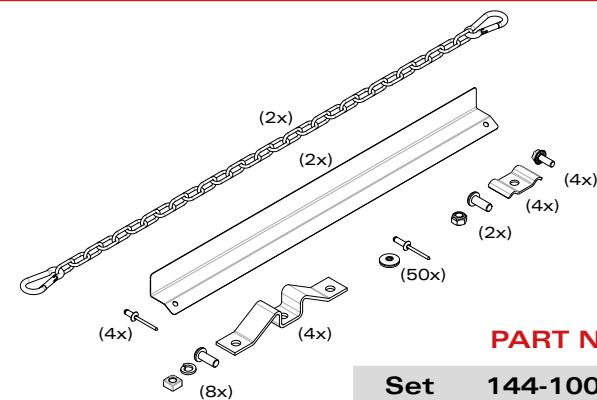
* 1 set/roof stick

3a Collapsible backside



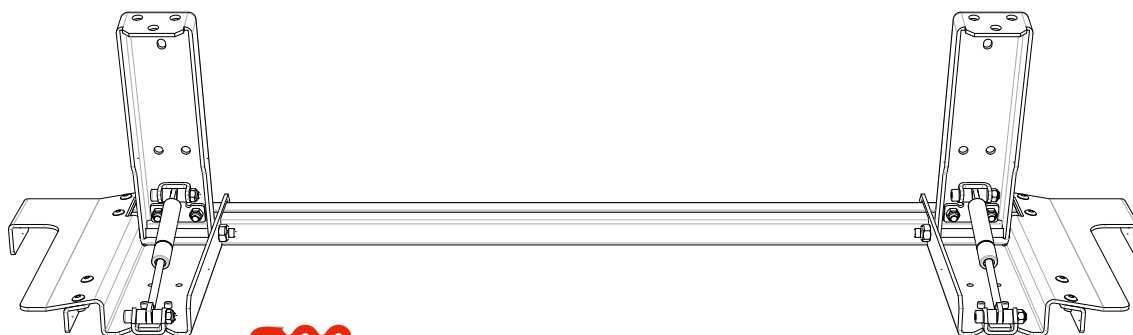
PART NR.
SB=2550 - L=52 214-47201

9a Set accessories



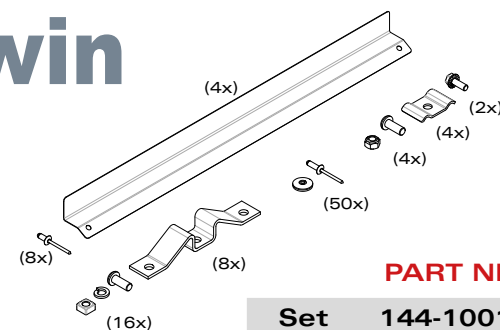
PART NR.
Set 144-10001

3b Collapsible backside for fixed roof with tarpaulin cover



PART NR.
SB=2550 - L=100 324-47201

9b Set accessories Twin



PART NR.
Set 144-10018

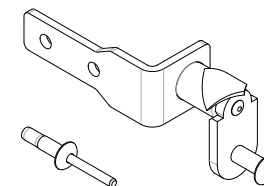
* Alto Trike Light Twin sliding roof: this set replaces the basic set accessories (144-10001)!

Front header



PART NR.
SB=2550 234-21001

9c Set lock collapsible backside



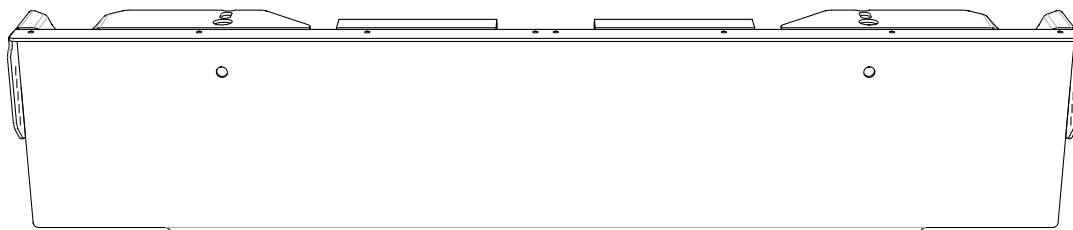
PART NR.
Set 144-10086

9d Set accessories external unlocking



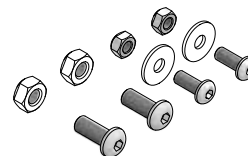
PART NR.
Set 144-10174

4a Back beam

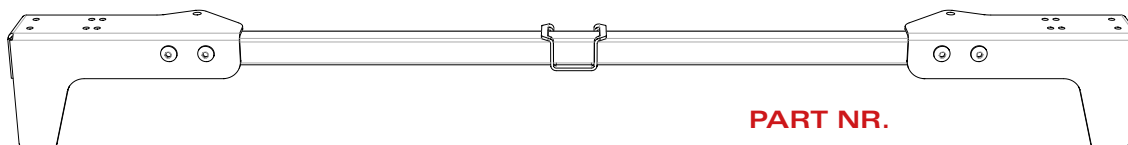


PART NR.

| | |
|----------------|-----------|
| SB=2550 - 208Z | 193-18001 |
| Mounting set | 144-10022 |



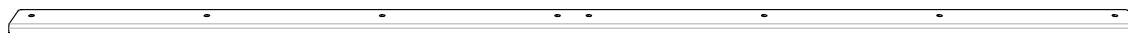
4b Back beam



PART NR.

| | |
|----------------------------|-----------|
| Set back beam tube 30x30mm | 144-10037 |
| Tube 30x30x2mm | 112-07001 |

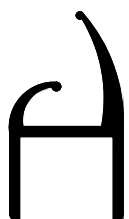
Rain strip for back beam (4a)



PART NR.

| | |
|---------|-----------|
| SB=2550 | 192-01601 |
|---------|-----------|

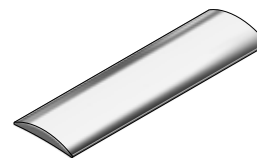
Rain strip for front header



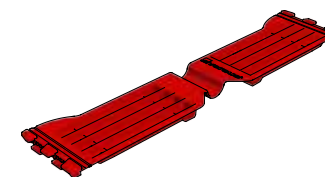
ttwin

PART NR.

| | |
|-------------------------------|-----------|
| Rain strip SB=2550 | 192-01606 |
| PVC pelmet L = 2,6m (black) | 242-20001 |
| Mounting strip 30x5mm L= 2,6m | 292-07001 |



10 Folding plate



PART NR.

| | |
|----------|-----------|
| Type 400 | 242-01004 |
| Type 500 | 242-01005 |
| Type 600 | 242-01006 |
| Type 700 | 242-01007 |
| Type 570 | 242-01057 |
| Type 650 | 242-01065 |

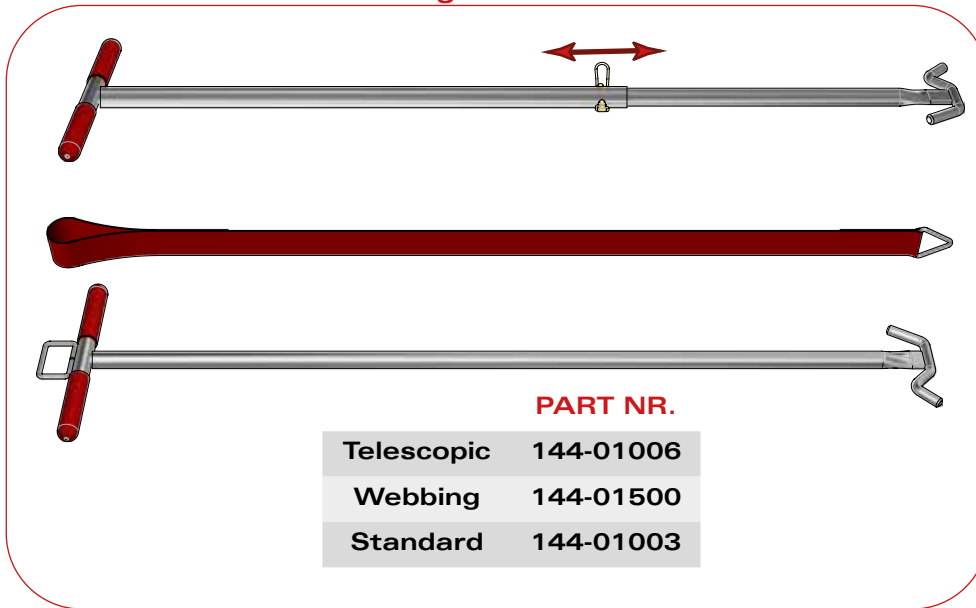
7 PVC pelmet (black)



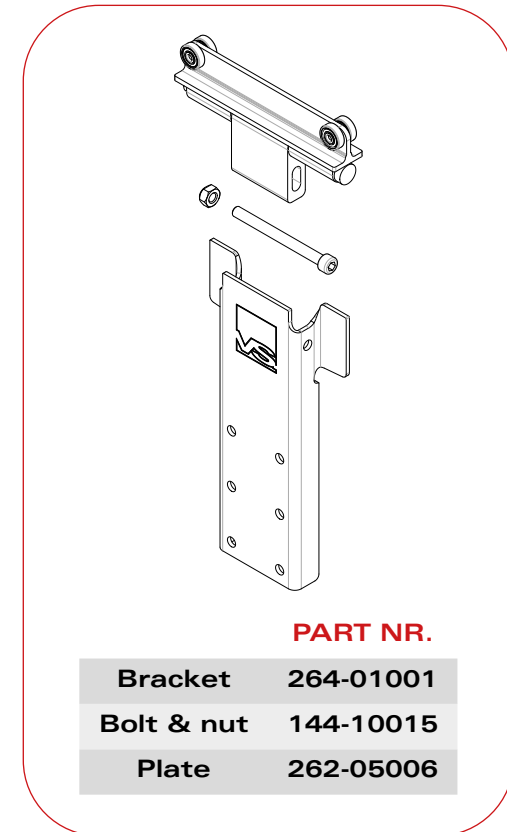
PART NR.

| | |
|---------|-----------|
| L = 9m | 242-14109 |
| L = 14m | 242-14114 |

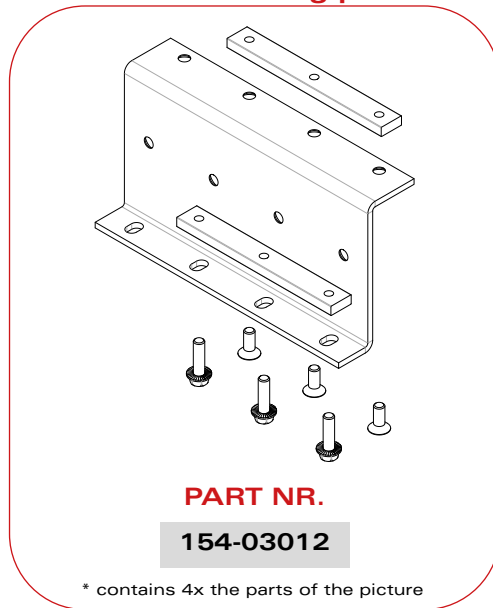
12 Pull bars & webbing



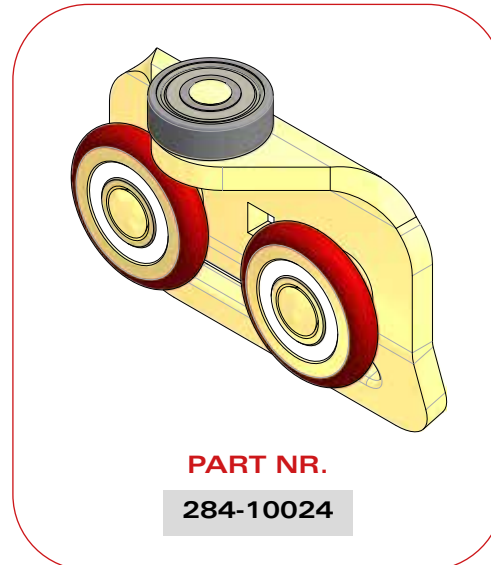
8 Pillar bracket



6 Set mounting plates



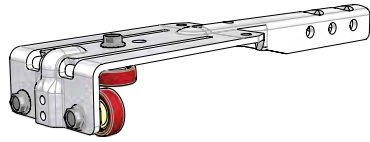
5 Trike roller



11 Carapax plate



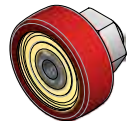
For roof sticks



Assembled bracket

PART NR.

174-02001



Roller bearing plastic

PART NR.

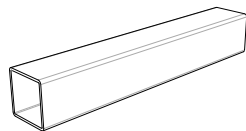
132-01001



Bolt tensilock M6x16mm

PART NR.

091-23001

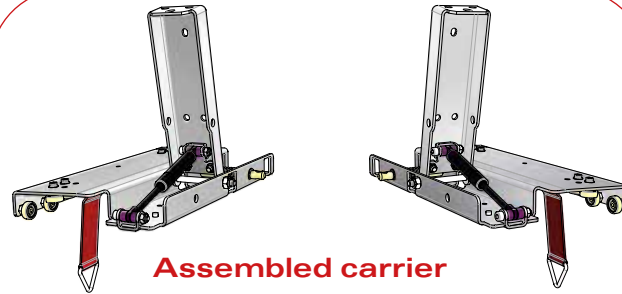


Tube 30x30x1,5mm

PART NR.

L = 2185mm 112-01003

For collapsible backside

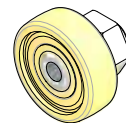


Assembled carrier

PART NR.

Left 204-47201

Right 204-47202



Roller bearing steel

PART NR.

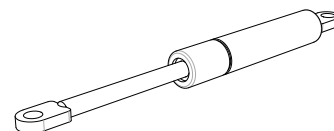
132-03001



Bolt tensilock M6x16mm

PART NR.

091-23001

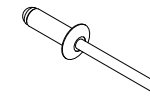


Gas spring 700N

PART NR.

302-01001

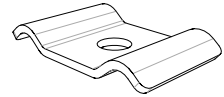
For accessories set



Rivet & washer

PART NR.

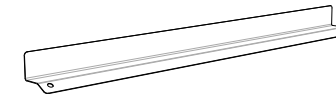
50 pieces 144-10003



Rope clamp

PART NR.

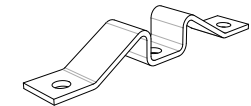
292-01001



Protection plate

PART NR.

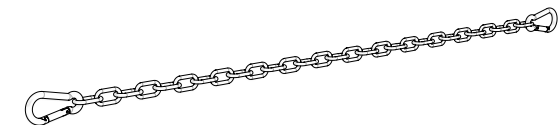
142-06006



Locking nose

PART NR.

142-05002

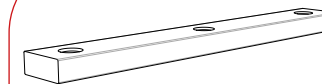


Chain with 2 hooks

PART NR.

142-07001

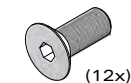
For mounting set



Mounting block

PART NR.

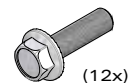
152-02001



Bolt M10x25mm

PART NR.

091-26002

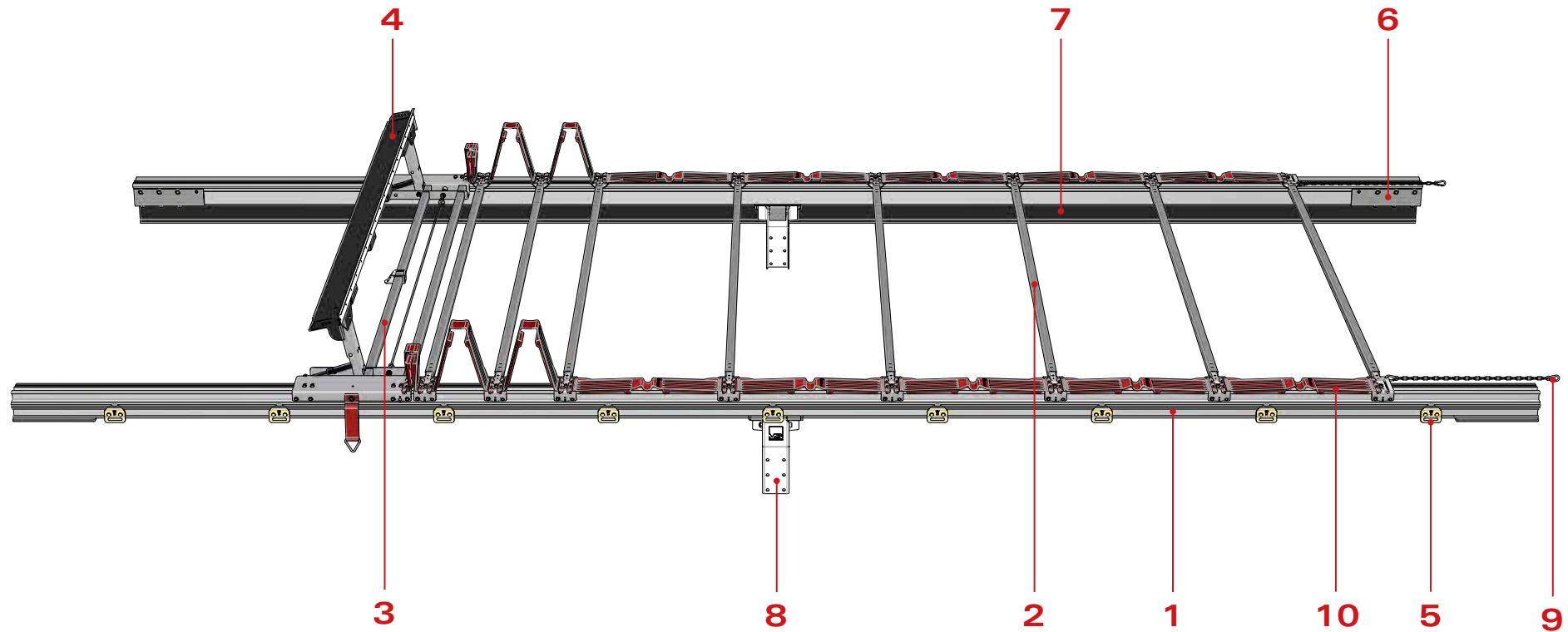


Bolt tensilock M10x35mm

PART NR.

091-23002

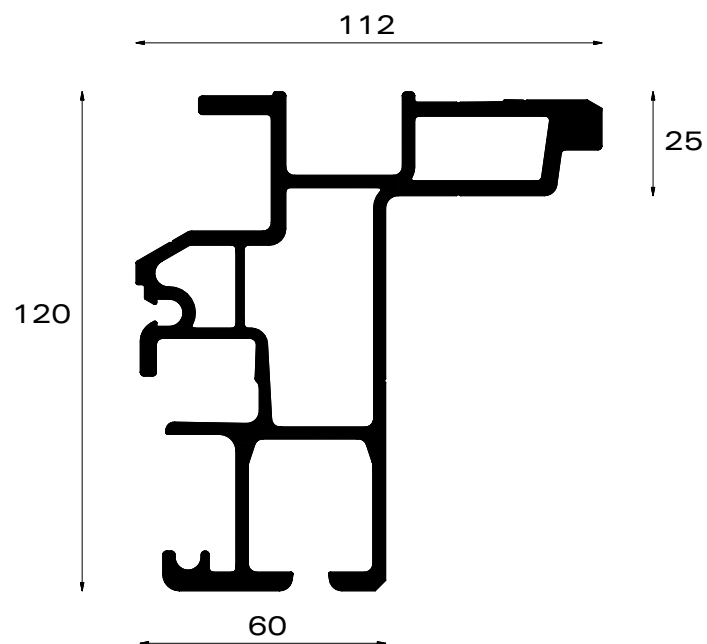




| | |
|----------|----------------------|
| 1 | Duo Trike rail |
| 2 | Roof stick |
| 3 | Collapsible backside |
| 4 | Back beam |
| 5 | Trike roller |
| 6 | Set mounting plates |

| | |
|-----------|-----------------|
| 7 | PVC pelmet |
| 8 | Pillar bracket |
| 9 | Set accessories |
| 10 | Folding plate |
| 11 | Carapax plate |
| 12 | Pull bar |

1 Duo Trike rail



PART NR.

* L = 10,2m 162-35102

* L = 13,6m 162-35136

* profile with pre-bending

$I_x : 291\text{cm}^4$
 $I_y : 175\text{cm}^4$
 $\pm 5,3 \text{ kg/m}$

2a Roof stick for sliding roof



PART NR.

SB=2550 - Type SP 224-01001

SB=2550 - Type AS (Al) 224-03001

2b Roof stick with anti-fly hook for sliding roof

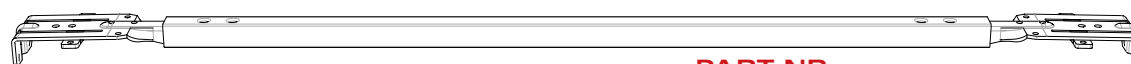


PART NR.

SB=2550 - Type SP 224-91001

SB=2550 - Type AS (Al) 224-93001

2c Roof stick for fixed roof with tarpaulin cover



PART NR.

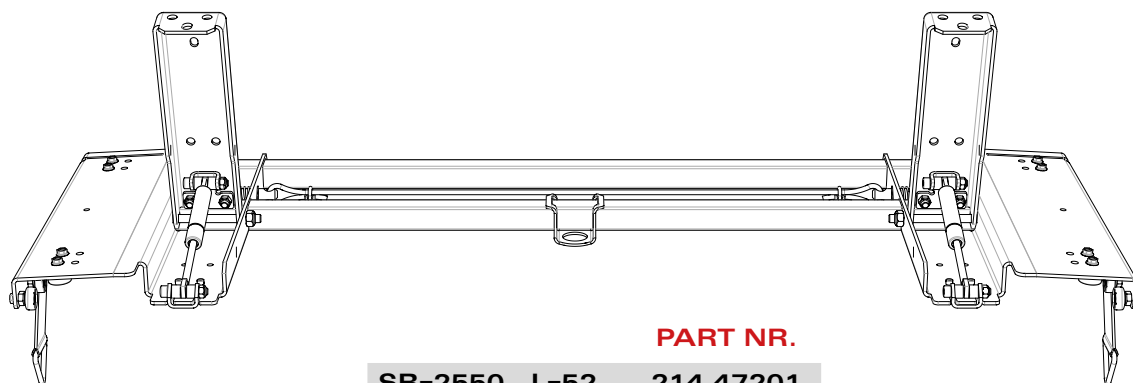


SB=2550 - Type SP 224-41201

SB=2550 - Type AS (Al) 224-43201

* Roof stick riveted to rail with monobolts

3a Collapsible backside



PART NR.
SB=2550 - L=52 214-47201

3b Collapsible backside for fixed roof with tarpaulin cover



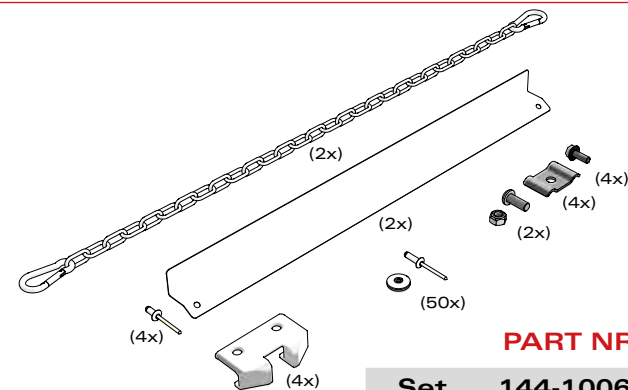
PART NR.
SB=2550 - L=100 324-47001

Front header



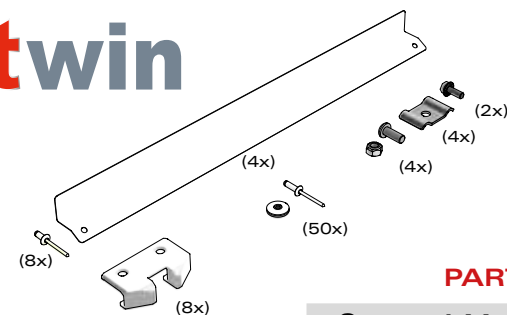
PART NR.
SB=2550 234-21001

9a Set accessories



PART NR.
Set 144-10067

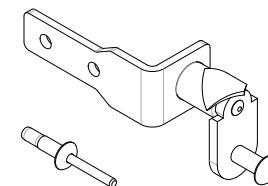
9b Set accessories Twin



PART NR.
Set 144-10082

* Duo Trike Twin sliding roof: this set replaces the basic set accessories (144-10067)!

9c Set lock collapsible backside



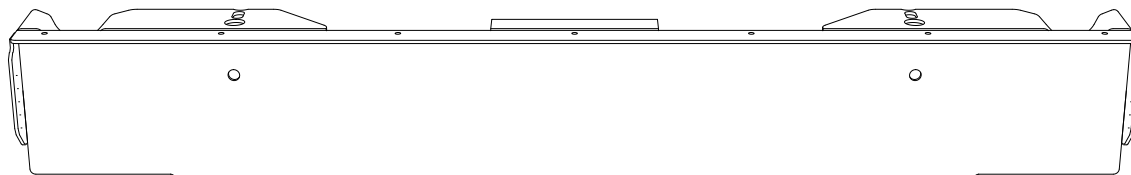
PART NR.
Set 144-10086

9d Set accessories external unlocking

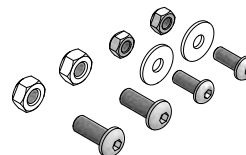


PART NR.
Set 144-10174

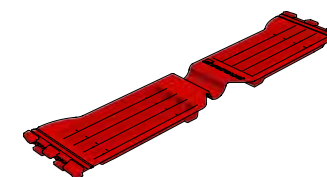
4a Back beam



| | PART NR. |
|----------------|-----------|
| SB=2550 - 145Z | 193-14001 |
| Mounting set | 144-10022 |

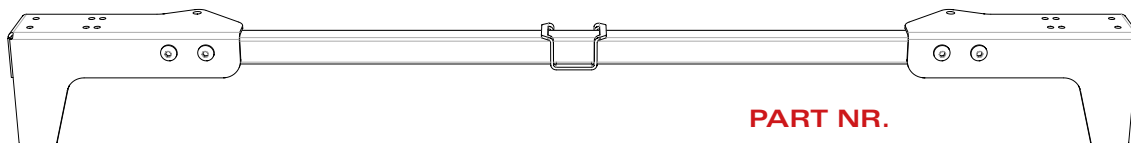


10 Folding plate



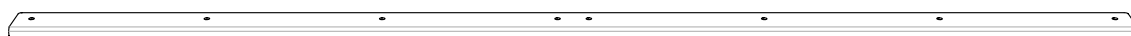
| | PART NR. |
|----------|-----------|
| Type 400 | 242-01004 |
| Type 500 | 242-01005 |
| Type 600 | 242-01006 |
| Type 700 | 242-01007 |
| Type 570 | 242-01057 |
| Type 650 | 242-01065 |

4b Back beam



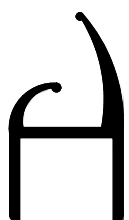
| | PART NR. |
|----------------------------|-----------|
| Set back beam tube 30x30mm | 144-10037 |
| Tube 30x30x2mm | 112-07001 |

Rain strip for back beam (4a)



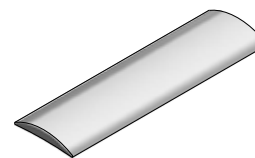
| | PART NR. |
|---------|-----------|
| SB=2550 | 192-01601 |

Rain strip for front header



ttwin

| | PART NR. |
|-------------------------------|-----------|
| Rain strip SB=2550 | 192-01606 |
| PVC pelmet L = 2,6m (black) | 242-20001 |
| Mounting strip 30x5mm L= 2,6m | 292-07001 |

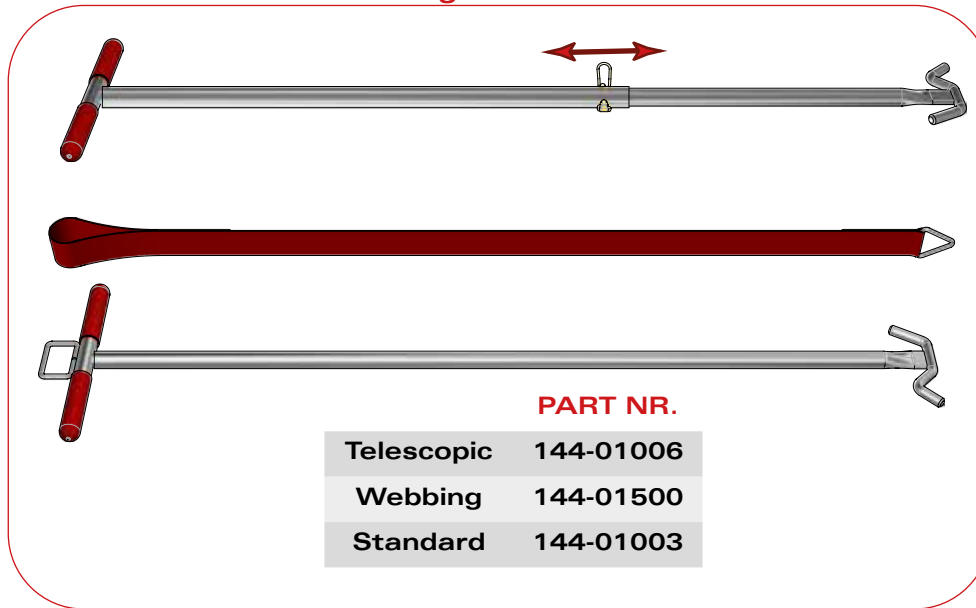


7 PVC pelmet (black)



| | PART NR. |
|---------|-----------|
| L = 9m | 242-14109 |
| L = 14m | 242-14114 |

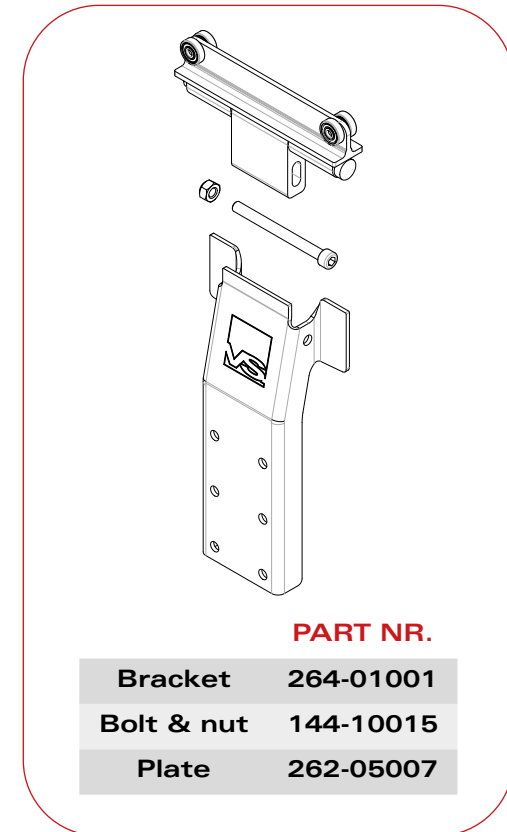
12 Pull bars & webbing



PART NR.

| | |
|------------|-----------|
| Telescopic | 144-01006 |
| Webbing | 144-01500 |
| Standard | 144-01003 |

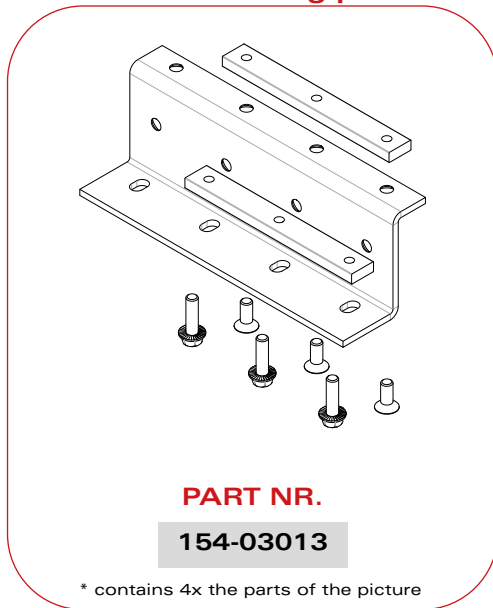
8 Pillar bracket



PART NR.

| | |
|------------|-----------|
| Bracket | 264-01001 |
| Bolt & nut | 144-10015 |
| Plate | 262-05007 |

6 Set mounting plates

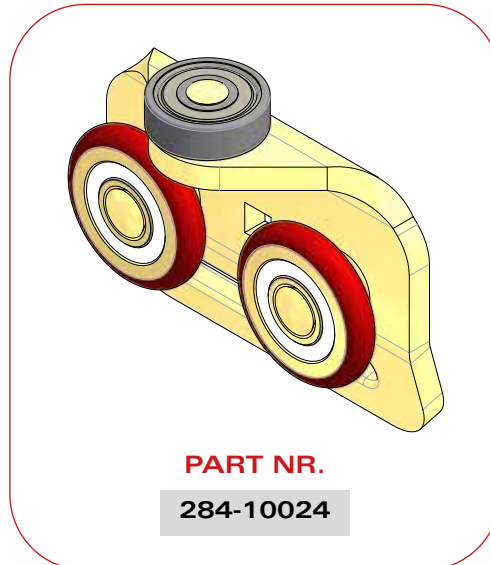


PART NR.

154-03013

* contains 4x the parts of the picture

5 Trike roller



PART NR.

284-10024

11 Carapax plate

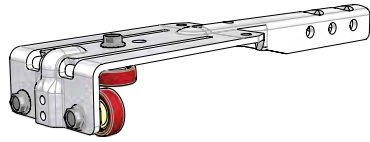


PART NR.

291-03004

* only needed for roof with Carapax cover

For roof sticks



Assembled bracket

PART NR.

174-02001



Roller bearing plastic

PART NR.

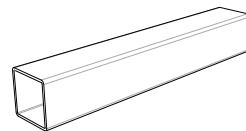
132-01001



Bolt tensilock M6x16mm

PART NR.

091-23001

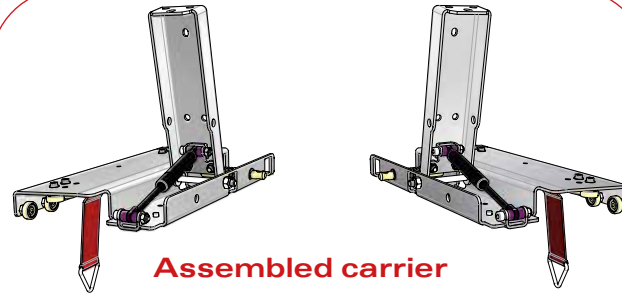


Tube 30x30x1,5mm

PART NR.

L = 2185mm 112-01003

For collapsible backside

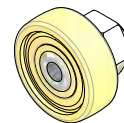


Assembled carrier

PART NR.

Left 204-47201

Right 204-47202



Roller bearing steel

PART NR.

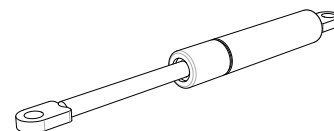
132-03001



Bolt tensilock M6x16mm

PART NR.

091-23001

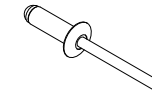


Gas spring 700N

PART NR.

302-01001

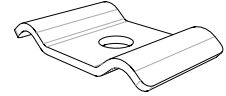
For accessories set



Rivet & washer

PART NR.

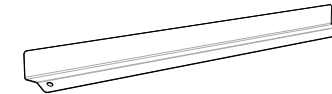
50 pieces 144-10003



Rope clamp

PART NR.

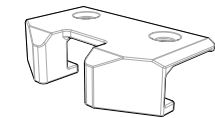
292-01001



Protection plate

PART NR.

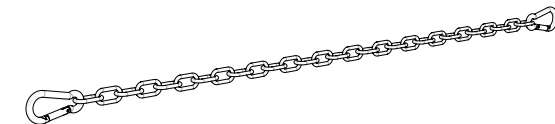
142-06006



Locking nose

PART NR.

142-05020

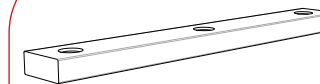


Chain with 2 hooks

PART NR.

142-07001

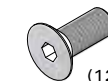
For mounting set



Mounting block

PART NR.

152-02001

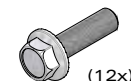


(12x)

Bolt M10x25mm

PART NR.

091-26002



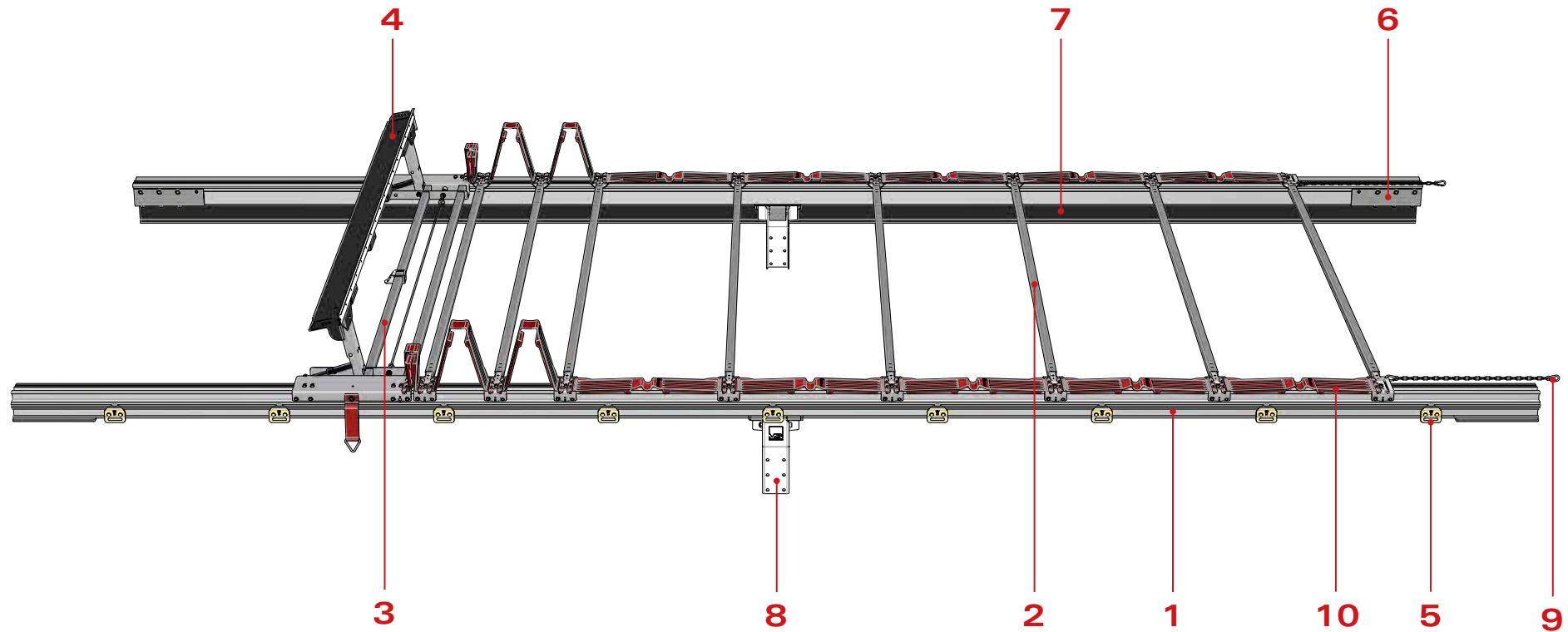
(12x)

Bolt tensilock M10x35mm

PART NR.

091-23002

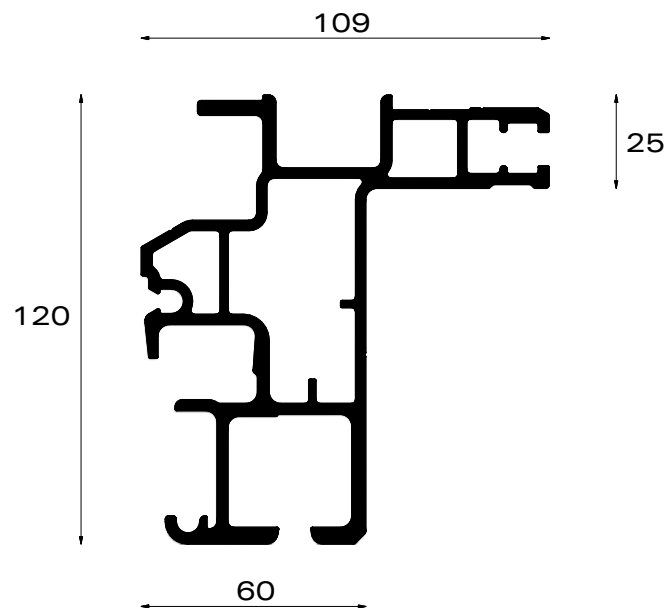




| | |
|----------|----------------------|
| 1 | Duo Trike Light rail |
| 2 | Roof stick |
| 3 | Collapsible backside |
| 4 | Back beam |
| 5 | Trike roller |
| 6 | Set mounting plates |

| | |
|-----------|-----------------|
| 7 | PVC pelmet |
| 8 | Pillar bracket |
| 9 | Set accessories |
| 10 | Folding plate |
| 11 | Carapax plate |
| 12 | Pull bar |

1 Duo Trike Light rail



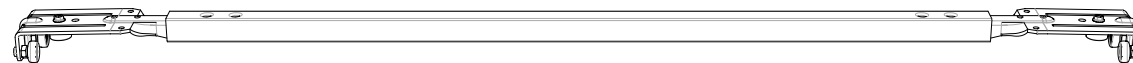
PART NR.

L = 7,8m 162-23780

L = 8,5m 162-23850

$I_x : 262\text{cm}^4$
 $I_y : 139\text{cm}^4$
 $\pm 4,9 \text{ kg/m}$

2a Roof stick for sliding roof

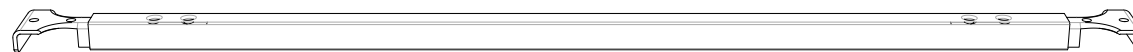


PART NR.

SB=2550 - Type SP 224-01001

SB=2550 - Type AS (Al) 224-03001

2b Roof stick for fixed roof with polyester cover

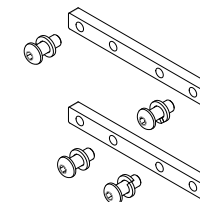


PART NR.

SB=2550 - Type SP 224-41101

SB=2550 - Type AS (Al) 224-43101

Mounting set roof stick fix 144-10048



* Roof stick screwed to rail with bolts

* 1 set/roof stick

2c Roof stick for fixed roof with tarpaulin cover

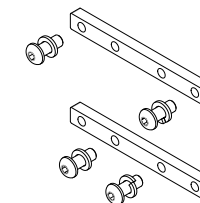


PART NR.

SB=2550 - Type SP 224-41211

SB=2550 - Type AS (Al) 224-43211

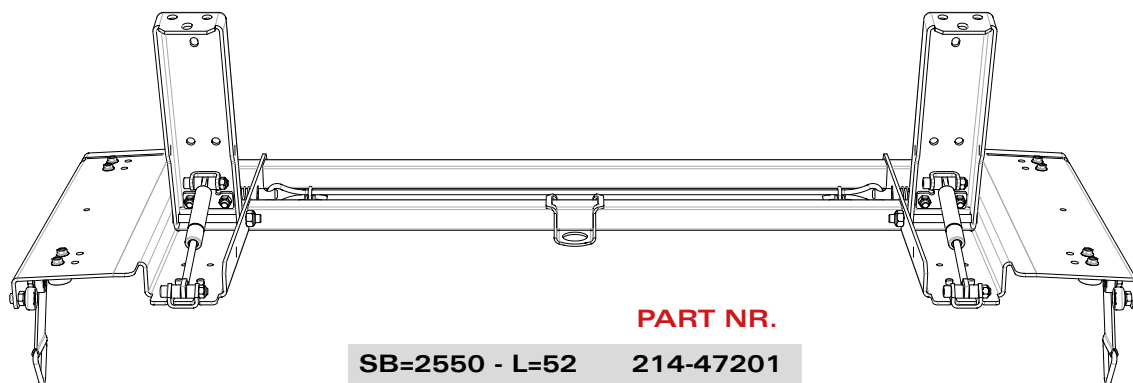
Mounting set roof stick fix 144-10048



* Roof stick screwed to rail with bolts

* 1 set/roof stick

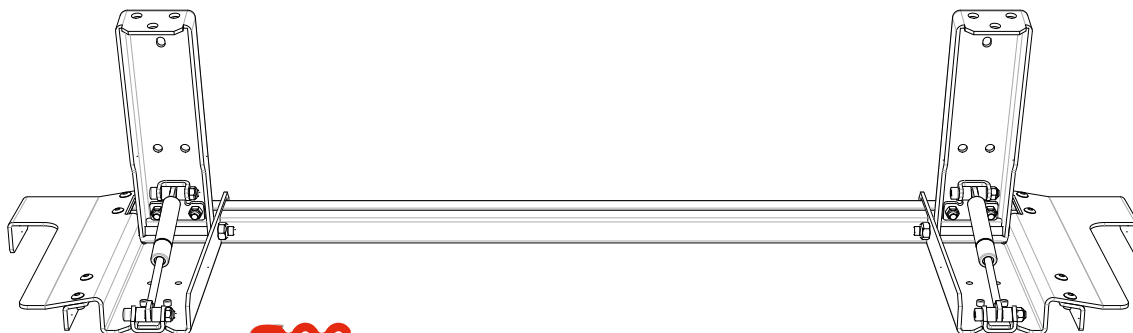
3a Collapsible backside



PART NR.

SB=2550 - L=52 214-47201

3b Collapsible backside for fixed roof with tarpaulin cover



PART NR.

SB=2550 - L=100 324-47201

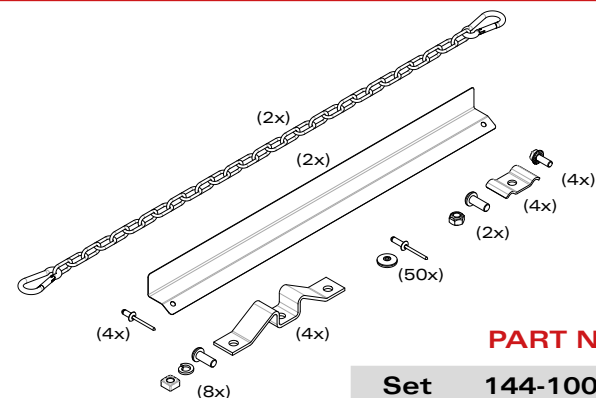
Front header



PART NR.

SB=2550 234-21001

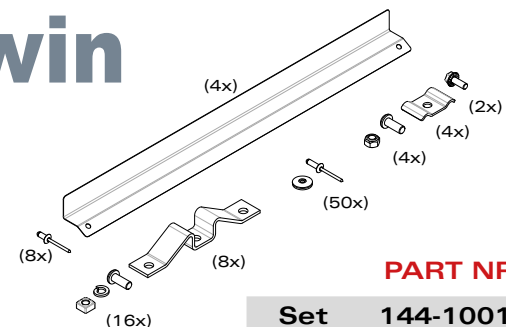
9a Set accessories



PART NR.

Set 144-10001

9b Set accessories Twin

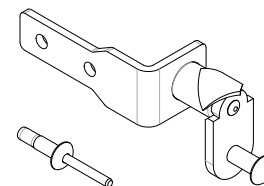


PART NR.

Set 144-10018

* Duo Trike Light Twin sliding roof: this set replaces the basic set accessories (144-10001)!

9c Set lock collapsible backside



PART NR.

Set 144-10086

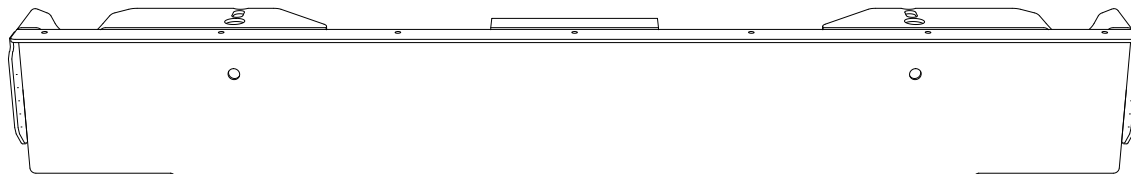
9d Set accessories external unlocking



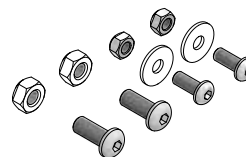
PART NR.

Set 144-10174

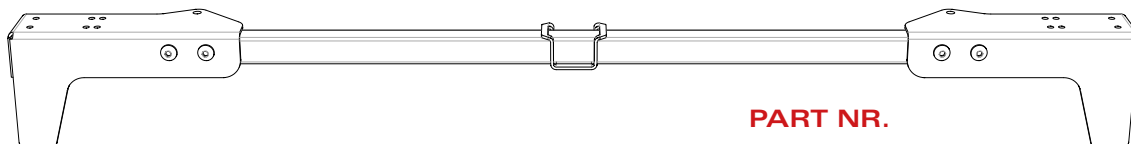
4a Back beam



| | PART NR. |
|----------------|-----------------|
| SB=2550 - 145Z | 193-14001 |
| Mounting set | 144-10022 |

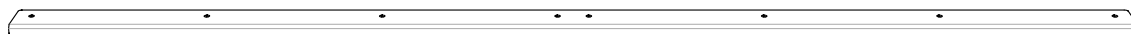


4b Back beam



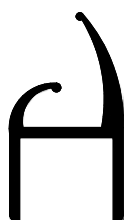
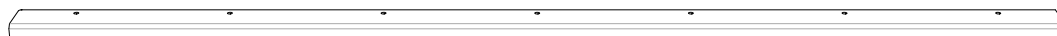
| | PART NR. |
|----------------------------|-----------------|
| Set back beam tube 30x30mm | 144-10037 |
| Tube 30x30x2mm | 112-07001 |

Rain strip for back beam (4a)



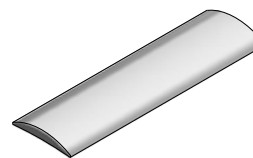
| | PART NR. |
|---------|-----------------|
| SB=2550 | 192-01601 |

Rain strip for front header

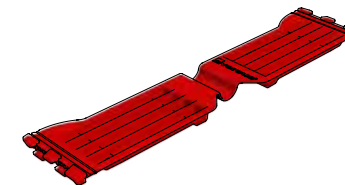


ttwin

| | PART NR. |
|-------------------------------|-----------------|
| Rain strip SB=2550 | 192-01606 |
| PVC pelmet L = 2,6m (black) | 242-20001 |
| Mounting strip 30x5mm L= 2,6m | 292-07001 |



10 Folding plate



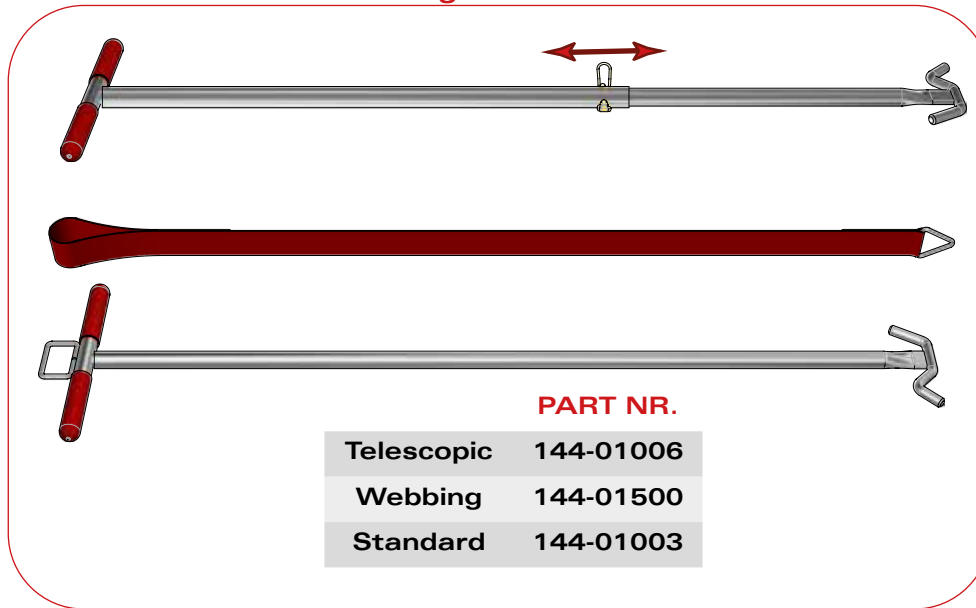
| | PART NR. |
|----------|-----------------|
| Type 400 | 242-01004 |
| Type 500 | 242-01005 |
| Type 600 | 242-01006 |
| Type 700 | 242-01007 |
| Type 570 | 242-01057 |
| Type 650 | 242-01065 |

7 PVC pelmet (black)



| | PART NR. |
|---------|-----------------|
| L = 9m | 242-14109 |
| L = 14m | 242-14114 |

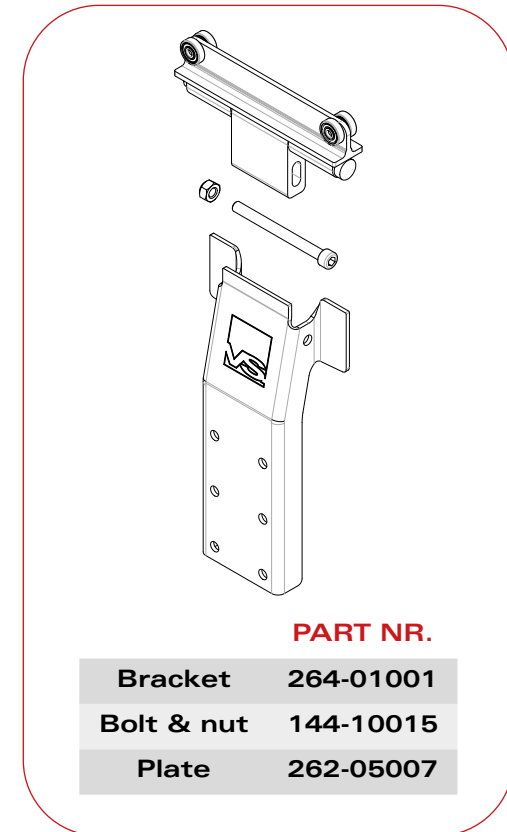
12 Pull bars & webbing



PART NR.

| | |
|------------|-----------|
| Telescopic | 144-01006 |
| Webbing | 144-01500 |
| Standard | 144-01003 |

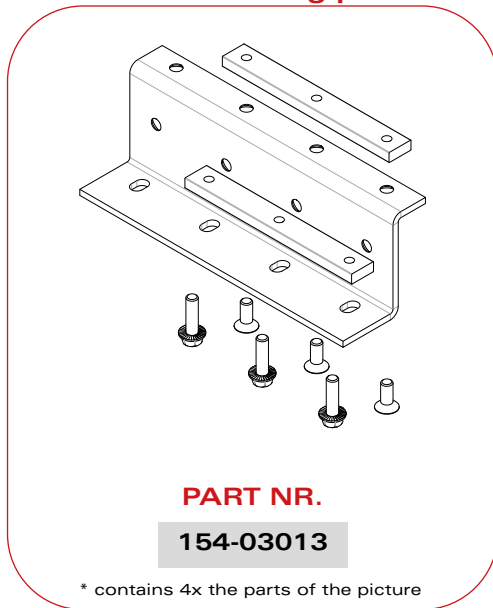
8 Pillar bracket



PART NR.

| | |
|------------|-----------|
| Bracket | 264-01001 |
| Bolt & nut | 144-10015 |
| Plate | 262-05007 |

6 Set mounting plates

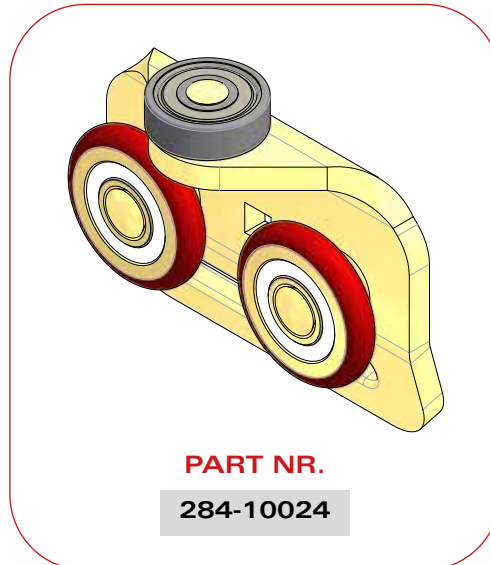


PART NR.

154-03013

* contains 4x the parts of the picture

5 Trike roller



PART NR.

284-10024

11 Carapax plate

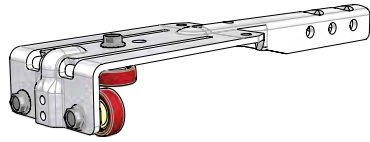


PART NR.

291-03004

* only needed for roof with Carapax cover

For roof sticks



Assembled bracket

PART NR.

174-02001



Roller bearing plastic

PART NR.

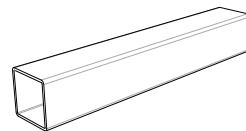
132-01001



Bolt tensilock M6x16mm

PART NR.

091-23001

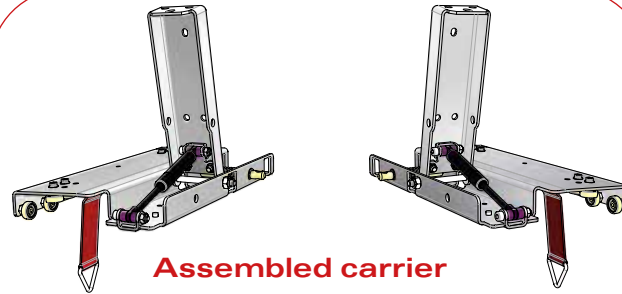


Tube 30x30x1,5mm

PART NR.

L = 2185mm 112-01003

For collapsible backside

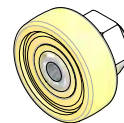


Assembled carrier

PART NR.

Left 204-47201

Right 204-47202



Roller bearing steel

PART NR.

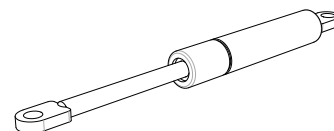
132-03001



Bolt tensilock M6x16mm

PART NR.

091-23001

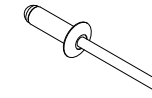


Gas spring 700N

PART NR.

302-01001

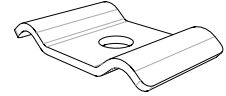
For accessories set



Rivet & washer

PART NR.

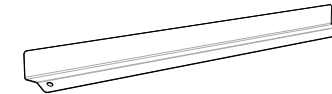
50 pieces 144-10003



Rope clamp

PART NR.

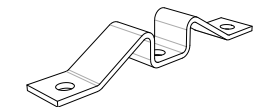
292-01001



Protection plate

PART NR.

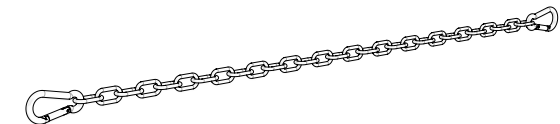
142-06006



Locking nose

PART NR.

142-05002

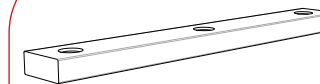


Chain with 2 hooks

PART NR.

142-07001

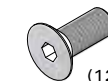
For mounting set



Mounting block

PART NR.

152-02001

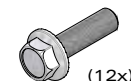


(12x)

Bolt M10x25mm

PART NR.

091-26002



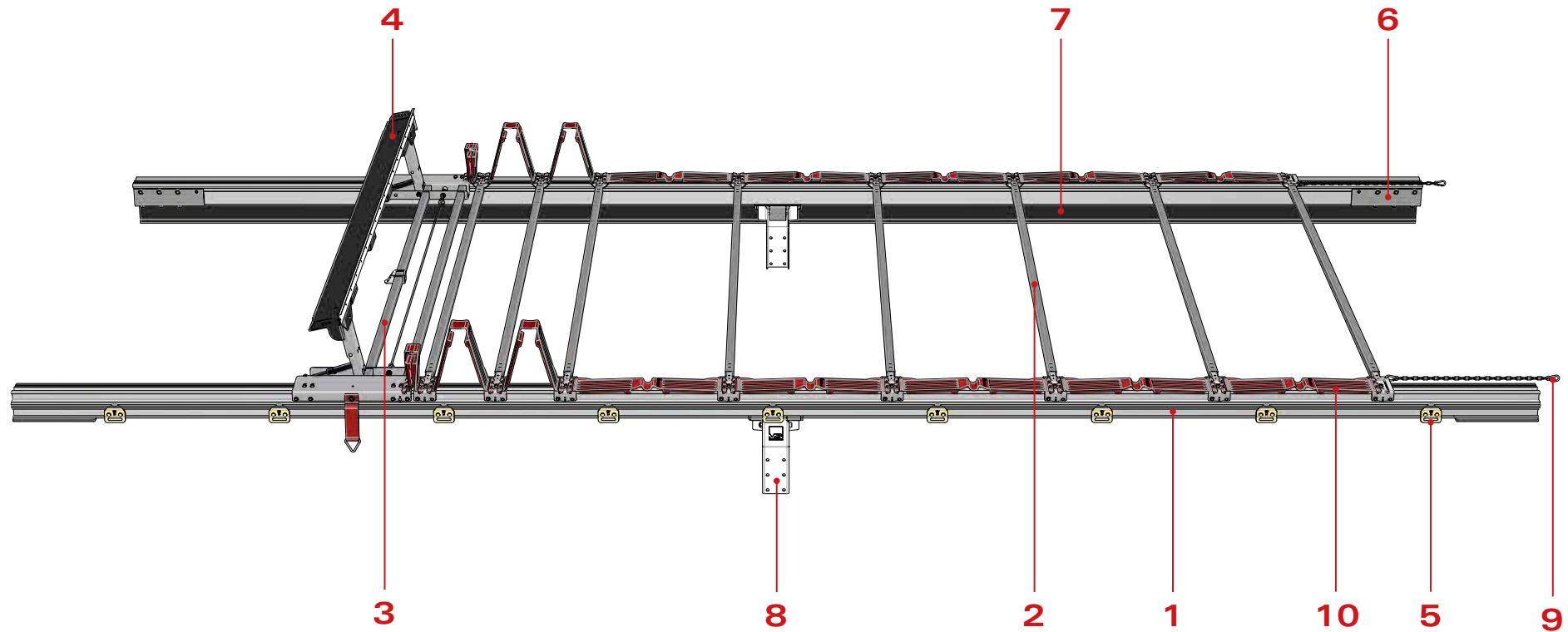
(12x)

Bolt tensilock M10x35mm

PART NR.

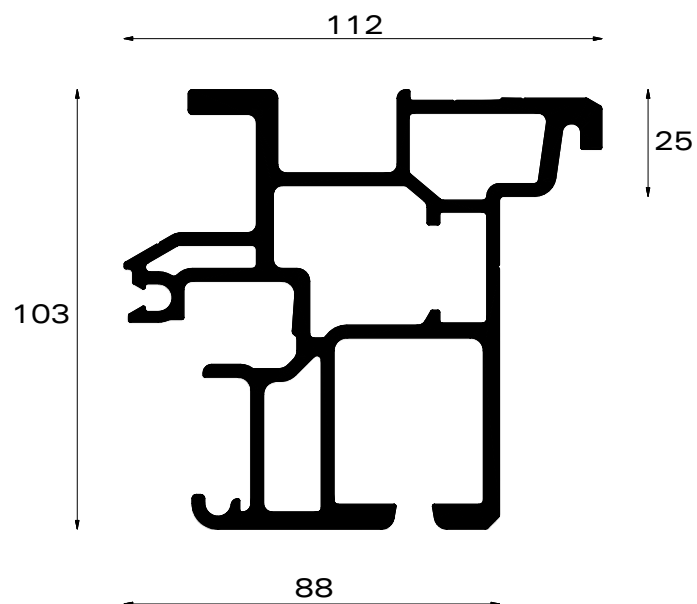
091-23002





| | | | |
|----------|----------------------|-----------|-----------------|
| 1 | Kubus Trike rail | 7 | PVC pelmet |
| 2 | Roof stick | 8 | Pillar bracket |
| 3 | Collapsible backside | 9 | Set accessories |
| 4 | Back beam | 10 | Folding plate |
| 5 | Trike roller | 11 | Carapax plate |
| 6 | Set mounting plates | 12 | Pull bar |

1 Kubus Trike rail



PART NR.

* L = 9,8m 162-24980

* L = 13,6m 162-24136

* profile with pre-bending

$I_x : 233\text{cm}^4$

$I_y : 174\text{cm}^4$

$\pm 5,7 \text{ kg/m}$

2a Roof stick for sliding roof



PART NR.

SB=2550 - Type SP 224-01001

SB=2550 - Type AS (Al) 224-03001

2b Roof stick with anti-fly hook for sliding roof

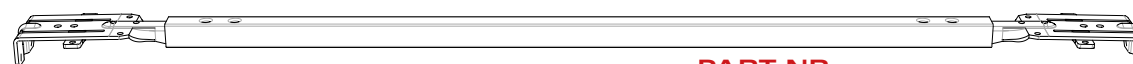


PART NR.

SB=2550 - Type SP 224-91001

SB=2550 - Type AS (Al) 224-93001

2c Roof stick for fixed roof with tarpaulin cover



PART NR.

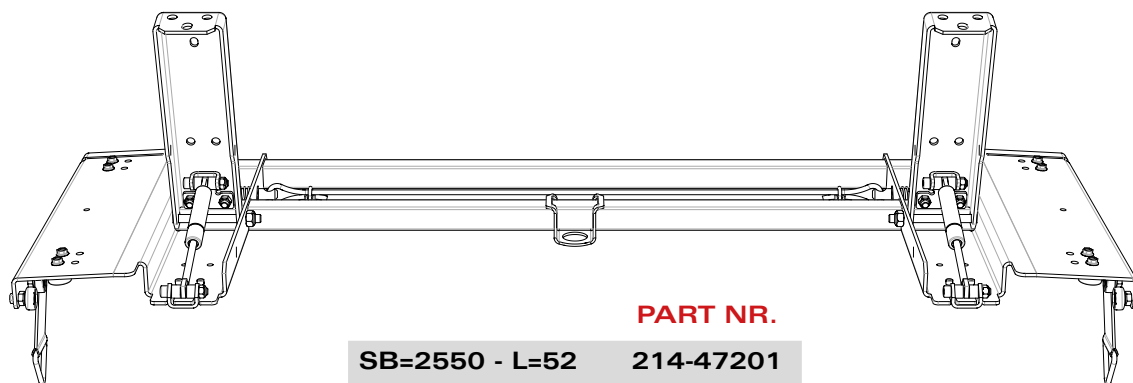


SB=2550 - Type SP 224-41201

SB=2550 - Type AS (Al) 224-43201

* Roof stick riveted to rail with monobolts

3a Collapsible backside



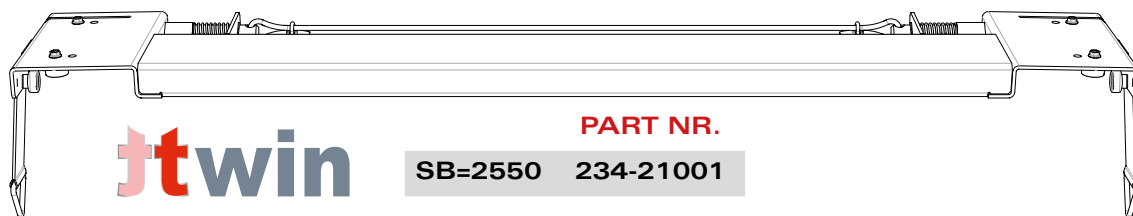
PART NR.
SB=2550 - L=52 214-47201

3b Collapsible backside for fixed roof with tarpaulin cover



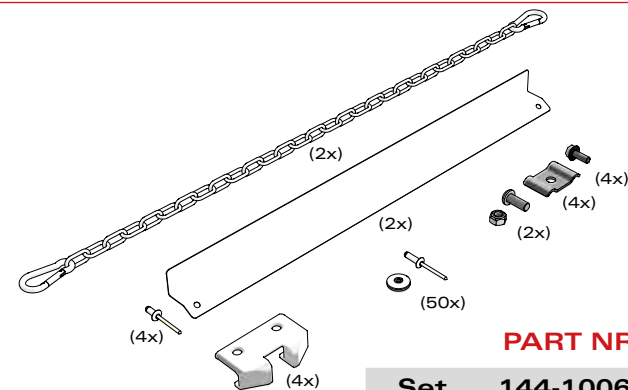
PART NR.
SB=2550 - L=100 324-47001

Front header



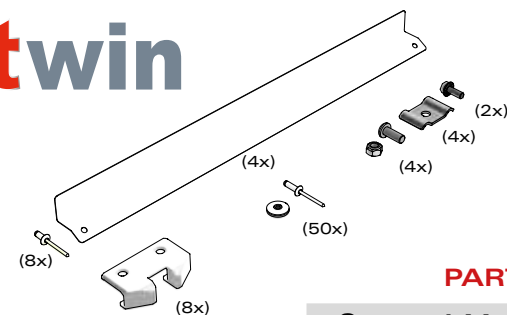
PART NR.
SB=2550 234-21001

9a Set accessories



PART NR.
Set 144-10067

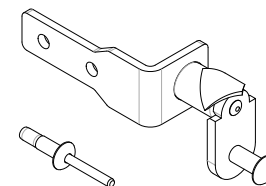
9b Set accessories Twin



PART NR.
Set 144-10082

* Kubus Trike Twin sliding roof: this set replaces the basic set accessories (144-10067)!

9c Set lock collapsible backside



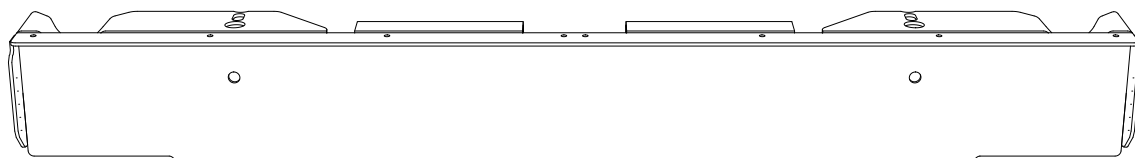
PART NR.
Set 144-10086

9d Set accessories external unlocking

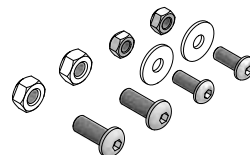


PART NR.
Set 144-10174

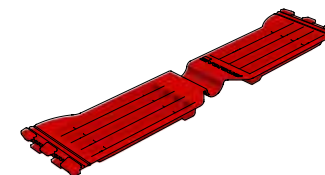
4a Back beam



| PART NR. | |
|----------------|-----------|
| SB=2550 - 125Z | 193-11001 |
| Mounting set | 144-10022 |

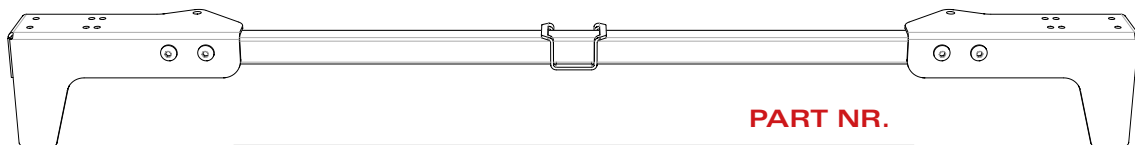


10 Folding plate



| PART NR. | |
|----------|-----------|
| Type 400 | 242-01004 |
| Type 500 | 242-01005 |
| Type 600 | 242-01006 |
| Type 700 | 242-01007 |
| Type 570 | 242-01057 |
| Type 650 | 242-01065 |

4b Back beam



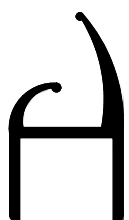
| PART NR. | |
|----------------------------|-----------|
| Set back beam tube 30x30mm | 144-10037 |
| Tube 30x30x2mm | 112-07001 |

Rain strip for back beam (4a)



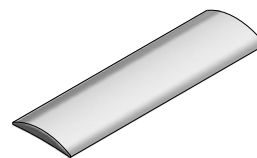
| PART NR. | |
|----------|-----------|
| SB=2550 | 192-01601 |

Rain strip for front header

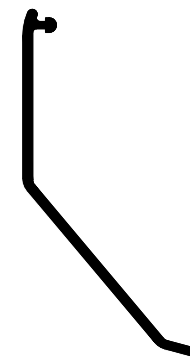


ttwin

| PART NR. | |
|--------------------------------|-----------|
| Rain strip SB=2550 | 192-01606 |
| PVC pelmet L = 2,6m (black) | 242-20001 |
| Mounting strip 30x5mm L = 2,6m | 292-07001 |

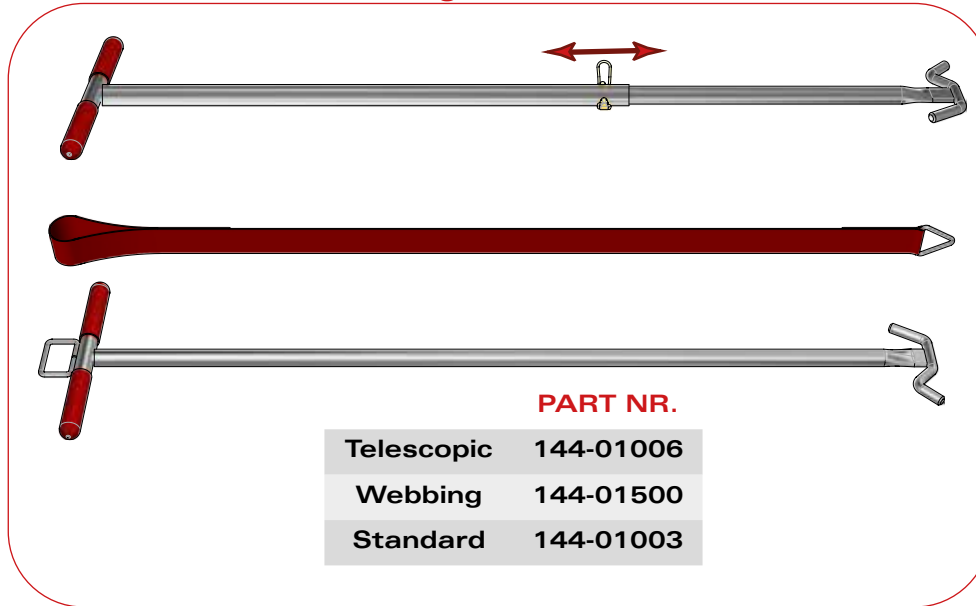


7 PVC pelmet (black)



| PART NR. | |
|----------|-----------|
| L = 9m | 242-12109 |
| L = 14m | 242-12114 |

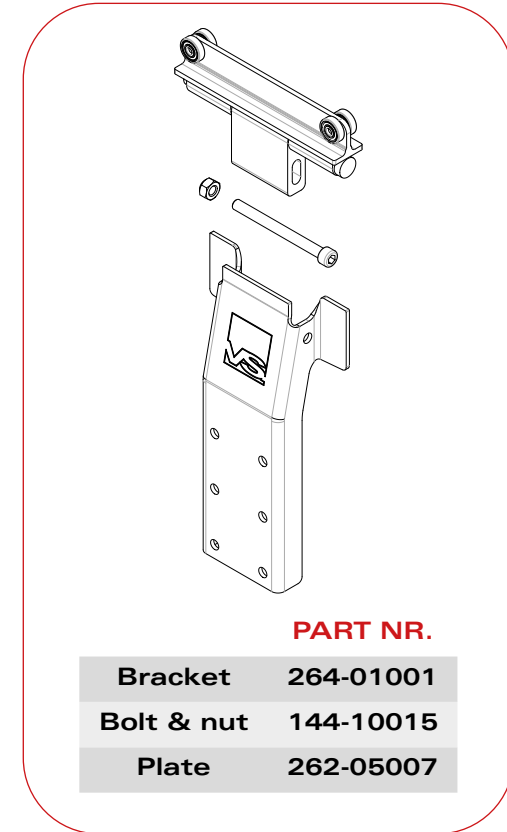
12 Pull bars & webbing



PART NR.

| | |
|------------|-----------|
| Telescopic | 144-01006 |
| Webbing | 144-01500 |
| Standard | 144-01003 |

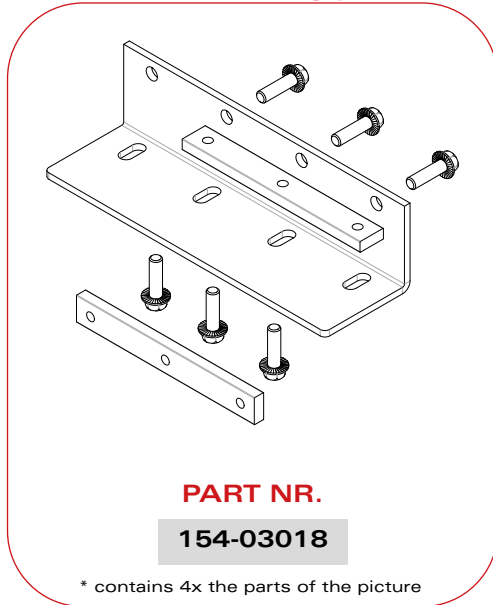
8 Pillar bracket



PART NR.

| | |
|------------|-----------|
| Bracket | 264-01001 |
| Bolt & nut | 144-10015 |
| Plate | 262-05007 |

6 Set mounting plates

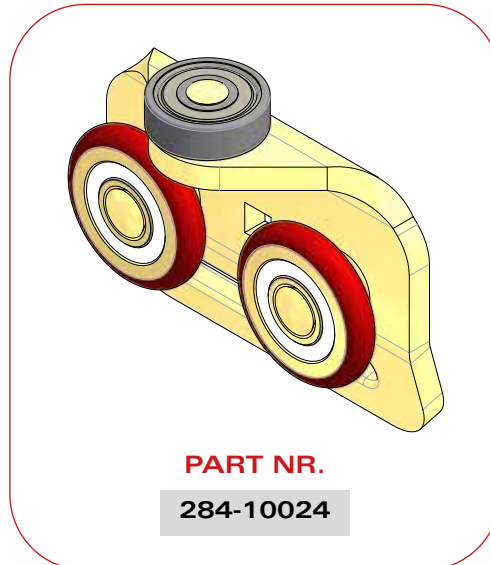


PART NR.

154-03018

* contains 4x the parts of the picture

5 Trike roller



PART NR.

284-10024

11 Carapax plate

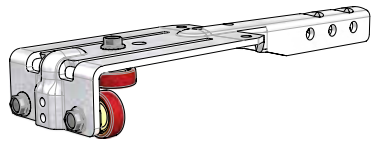


PART NR.

291-03004

* only needed for roof with Carapax cover

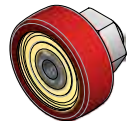
For roof sticks



Assembled bracket

PART NR.

174-02001



Roller bearing plastic

PART NR.

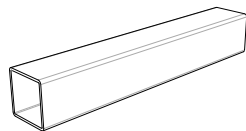
132-01001



Bolt tensilock M6x16mm

PART NR.

091-23001

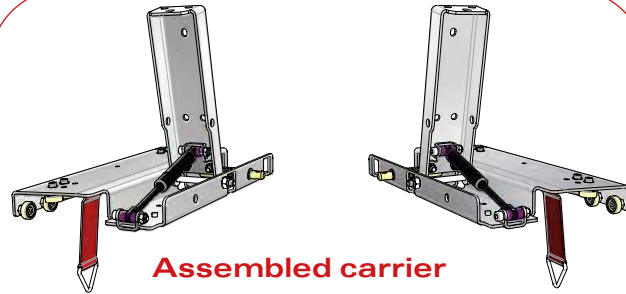


Tube 30x30x1,5mm

PART NR.

L = 2185mm 112-01003

For collapsible backside

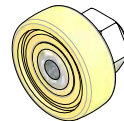


Assembled carrier

PART NR.

Left 204-47201

Right 204-47202



Roller bearing steel

PART NR.

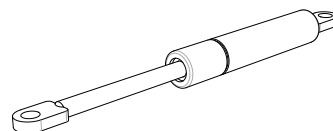
132-03001



Bolt tensilock M6x16mm

PART NR.

091-23001

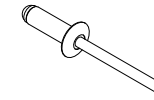


Gas spring 700N

PART NR.

302-01001

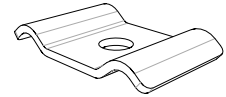
For accessories set



Rivet & washer

PART NR.

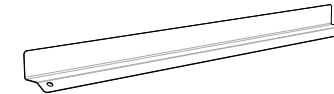
50 pieces 144-10003



Rope clamp

PART NR.

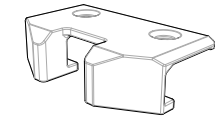
292-01001



Protection plate

PART NR.

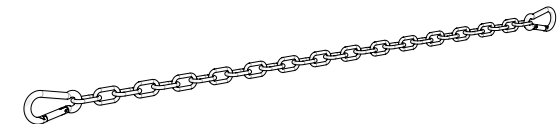
142-06006



Locking nose

PART NR.

142-05020

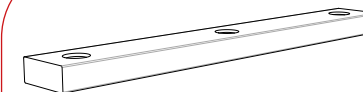


Chain with 2 hooks

PART NR.

142-07001

For mounting set



Mounting block

PART NR.

152-02001

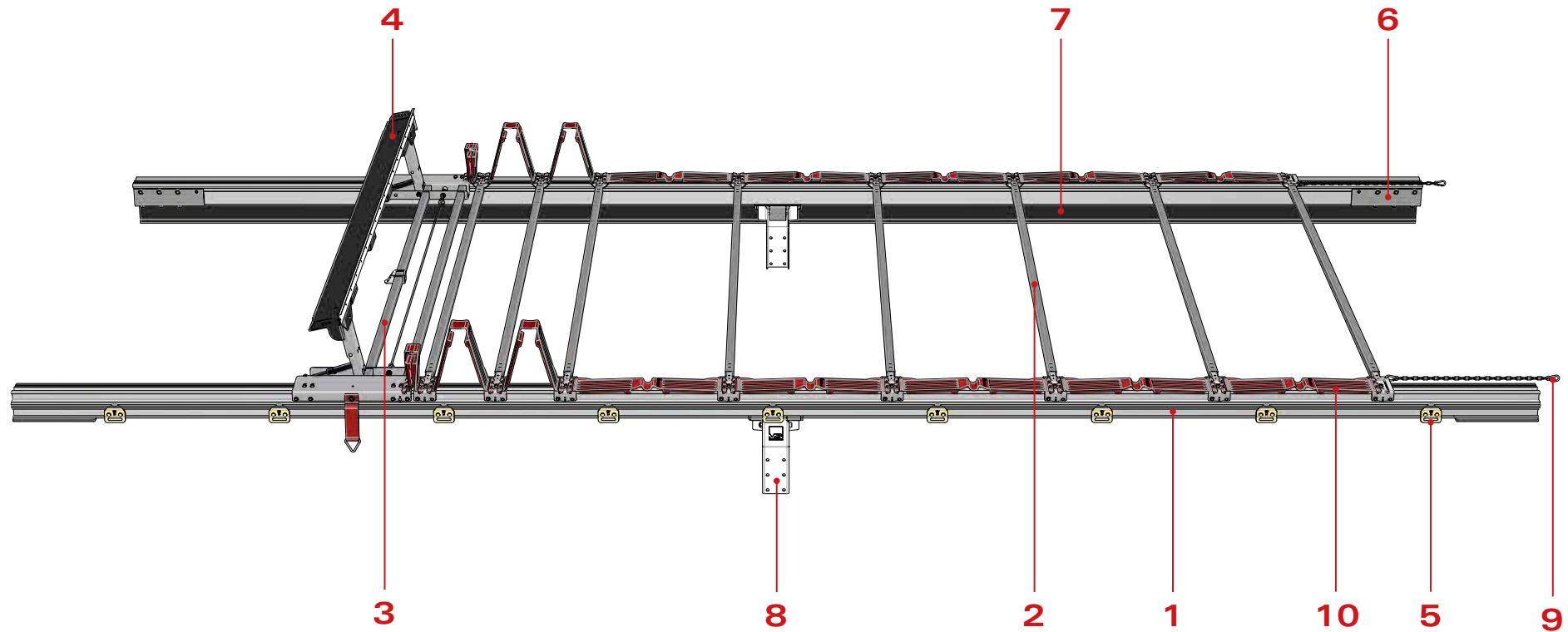


**Bolt tensilock
M10x35mm**

PART NR.

091-23002

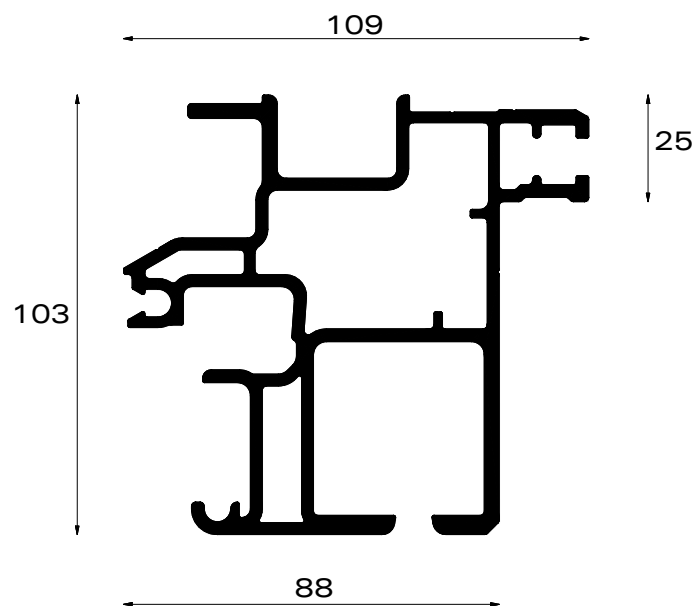




| | |
|----------|------------------------|
| 1 | Kubus Trike Light rail |
| 2 | Roof stick |
| 3 | Collapsible backside |
| 4 | Back beam |
| 5 | Trike roller |
| 6 | Set mounting plates |

| | |
|-----------|-----------------|
| 7 | PVC pelmet |
| 8 | Pillar bracket |
| 9 | Set accessories |
| 10 | Folding plate |
| 11 | Carapax plate |
| 12 | Pull bar |

1 Kubus Trike Light rail



PART NR.

L = 7,8m 162-25780

L = 8,5m 162-25850

$I_x : 188\text{cm}^4$
 $I_y : 145\text{cm}^4$
 $\pm 4,8 \text{ kg/m}$

2a Roof stick for sliding roof



PART NR.

SB=2550 - Type SP 224-01001

SB=2550 - Type AS (Al) 224-03001

2b Roof stick for fixed roof with polyester cover

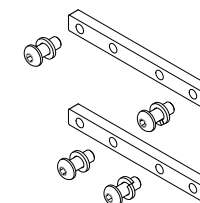


PART NR.

SB=2550 - Type SP 224-41101

SB=2550 - Type AS (Al) 224-43101

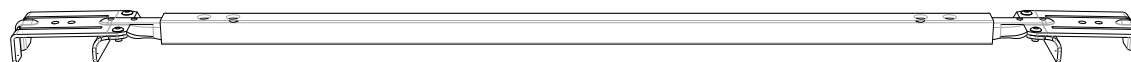
Mounting set roof stick fix 144-10048



* Roof stick screwed to rail with bolts

* 1 set/roof stick

2c Roof Stick for fixed roof with tarpaulin cover

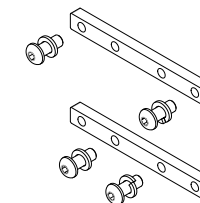


PART NR.

SB=2550 - Type SP 224-41211

SB=2550 - Type AS (Al) 224-43211

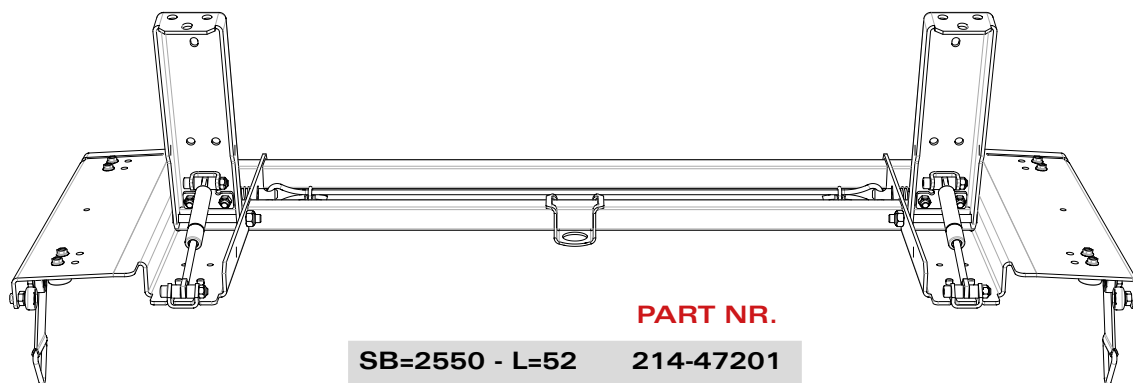
Mounting set roof stick fix 144-10048



* Roof stick screwed to rail with bolts

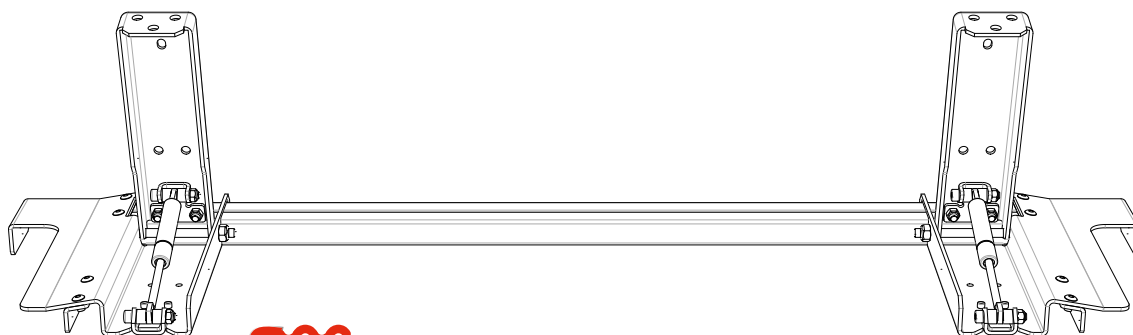
* 1 set/roof stick

3a Collapsible backside



PART NR.
SB=2550 - L=52 214-47201

3b Collapsible backside for fixed roof with tarpaulin cover



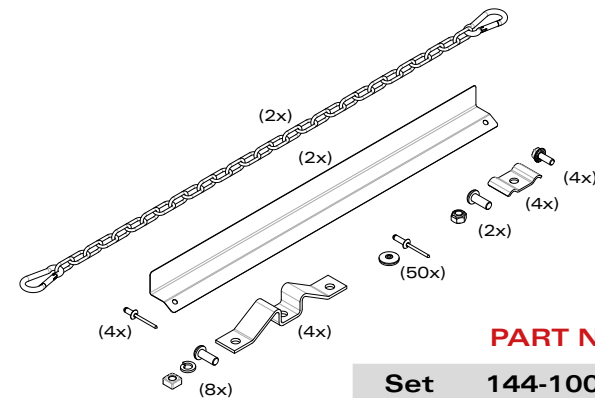
PART NR.
SB=2550 - L=100 324-47201

Front header



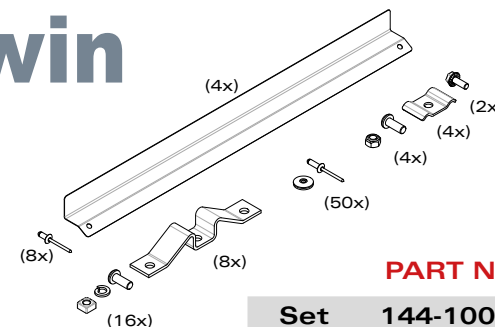
PART NR.
SB=2550 234-21001

9a Set accessories



PART NR.
Set 144-10001

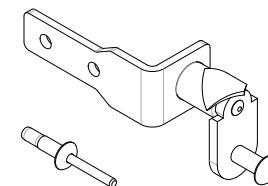
9b Set accessories Twin



PART NR.
Set 144-10018

* Kubus Trike Light Twin sliding roof: this set replaces the basic set accessories (144-10001)!

9c Set lock collapsible backside



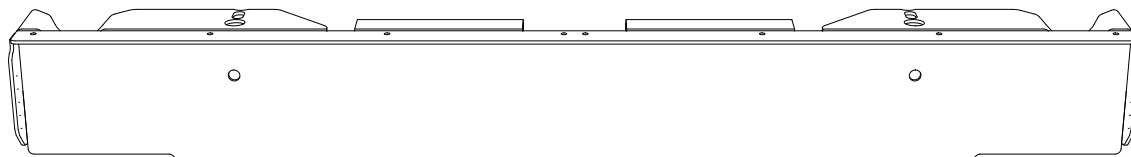
PART NR.
Set 144-10086

9d Set accessories external unlocking

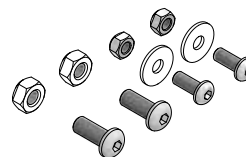


PART NR.
Set 144-10174

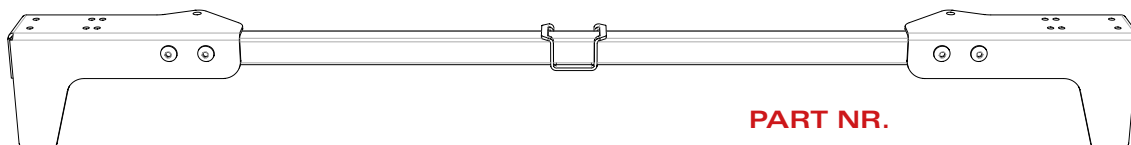
4a Back beam



| | PART NR. |
|----------------|-----------------|
| SB=2550 - 125Z | 193-11001 |
| Mounting set | 144-10022 |

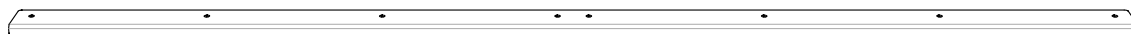


4b Back beam



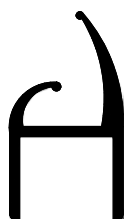
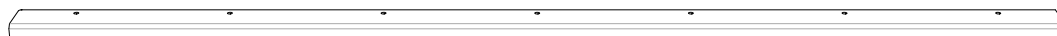
| | PART NR. |
|----------------------------|-----------------|
| Set back beam tube 30x30mm | 144-10037 |
| Tube 30x30x2mm | 112-07001 |

Rain strip for back beam (4a)



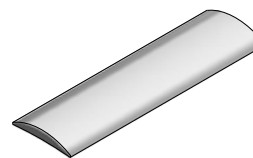
| | PART NR. |
|---------|-----------------|
| SB=2550 | 192-01601 |

Rain strip for front header

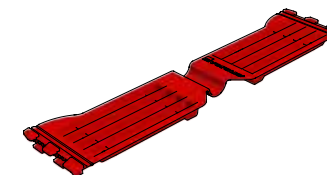


ttwin

| | PART NR. |
|-------------------------------|-----------------|
| Rain strip SB=2550 | 192-01606 |
| PVC pelmet L = 2,6m (black) | 242-20001 |
| Mounting strip 30x5mm L= 2,6m | 292-07001 |

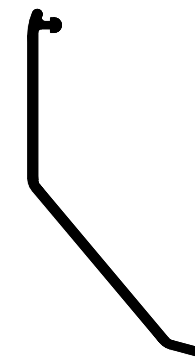


10 Folding plate



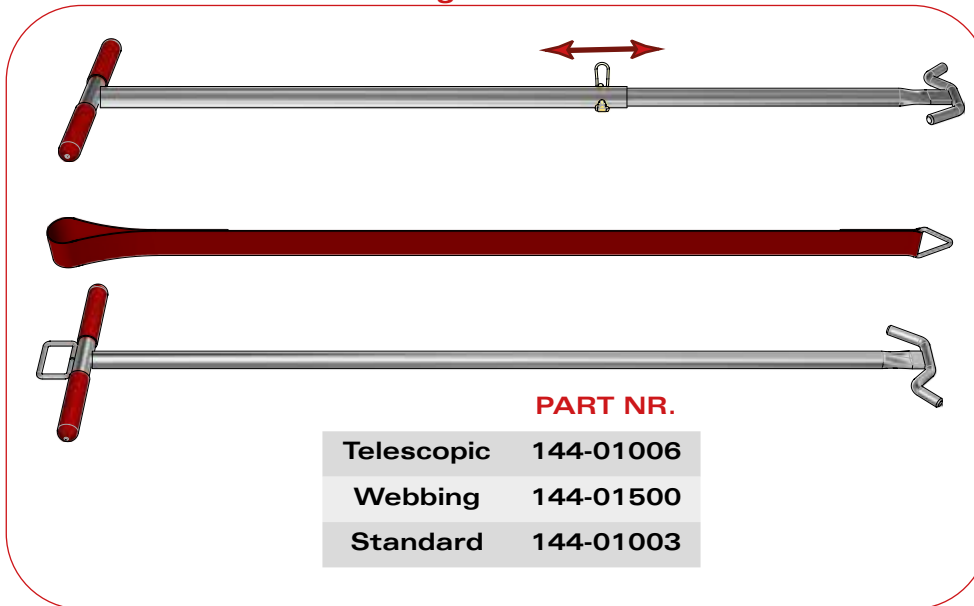
| | PART NR. |
|----------|-----------------|
| Type 400 | 242-01004 |
| Type 500 | 242-01005 |
| Type 600 | 242-01006 |
| Type 700 | 242-01007 |
| Type 570 | 242-01057 |
| Type 650 | 242-01065 |

7 PVC pelmet (black)



| | PART NR. |
|---------|-----------------|
| L = 9m | 242-12109 |
| L = 14m | 242-12114 |

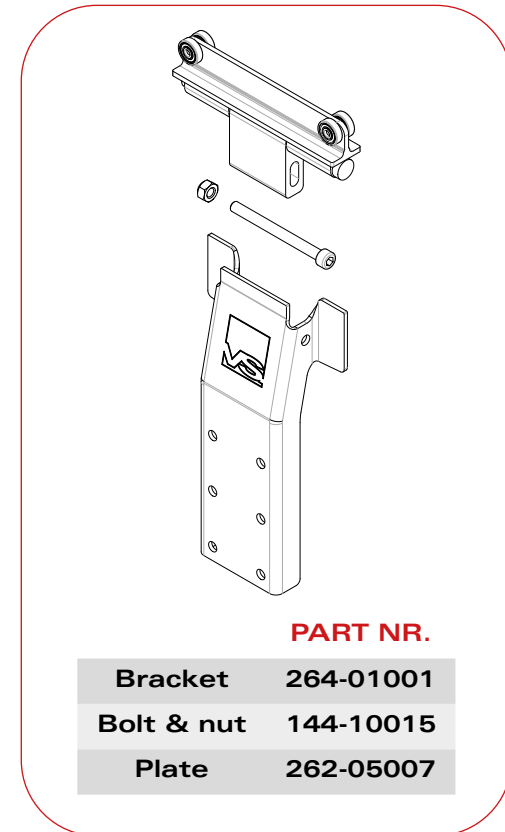
12 Pull bars & webbing



PART NR.

| | |
|------------|-----------|
| Telescopic | 144-01006 |
| Webbing | 144-01500 |
| Standard | 144-01003 |

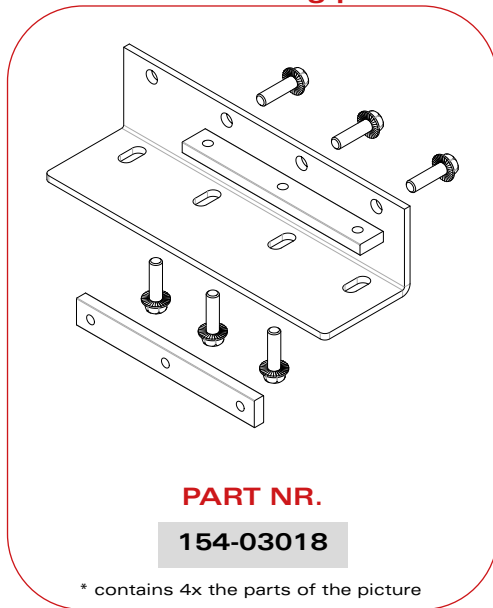
8 Pillar bracket



PART NR.

| | |
|------------|-----------|
| Bracket | 264-01001 |
| Bolt & nut | 144-10015 |
| Plate | 262-05007 |

6 Set mounting plates

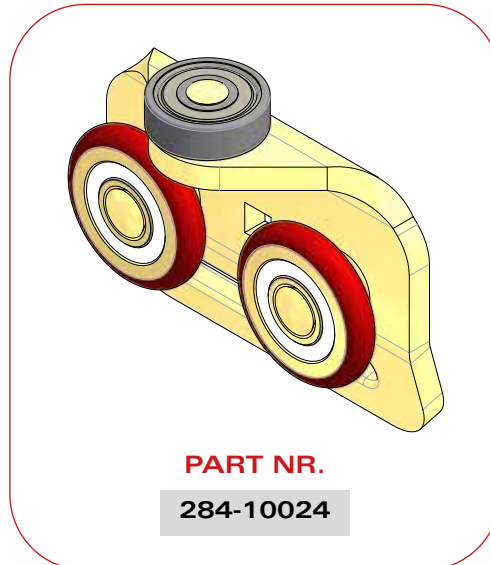


PART NR.

154-03018

* contains 4x the parts of the picture

5 Trike roller



PART NR.

284-10024

11 Carapax plate

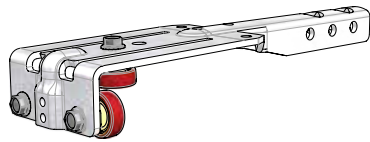


PART NR.

291-03004

* only needed for roof with Carapax cover

For roof sticks



Assembled bracket

PART NR.

174-02001



Roller bearing plastic

PART NR.

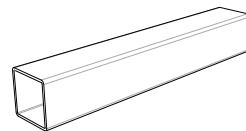
132-01001



Bolt tensilock M6x16mm

PART NR.

091-23001

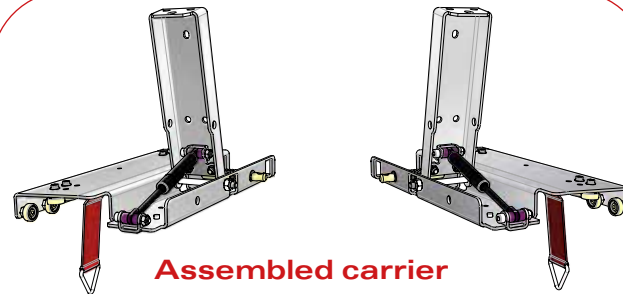


Tube 30x30x1,5mm

PART NR.

L = 2185mm 112-01003

For collapsible backside

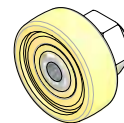


Assembled carrier

PART NR.

Left 204-47201

Right 204-47202



Roller bearing steel

PART NR.

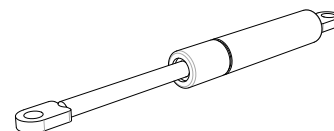
132-03001



Bolt tensilock M6x16mm

PART NR.

091-23001

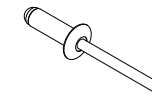


Gas spring 700N

PART NR.

302-01001

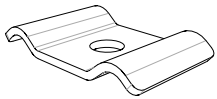
For accessories set



Rivet & washer

PART NR.

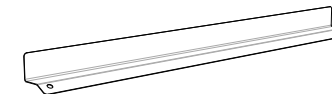
50 pieces 144-10003



Rope clamp

PART NR.

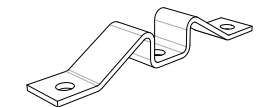
292-01001



Protection plate

PART NR.

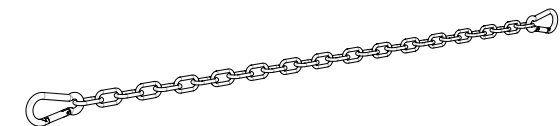
142-06006



Locking nose

PART NR.

142-05002

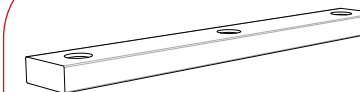


Chain with 2 hooks

PART NR.

142-07001

For mounting set



Mounting block

PART NR.

152-02001

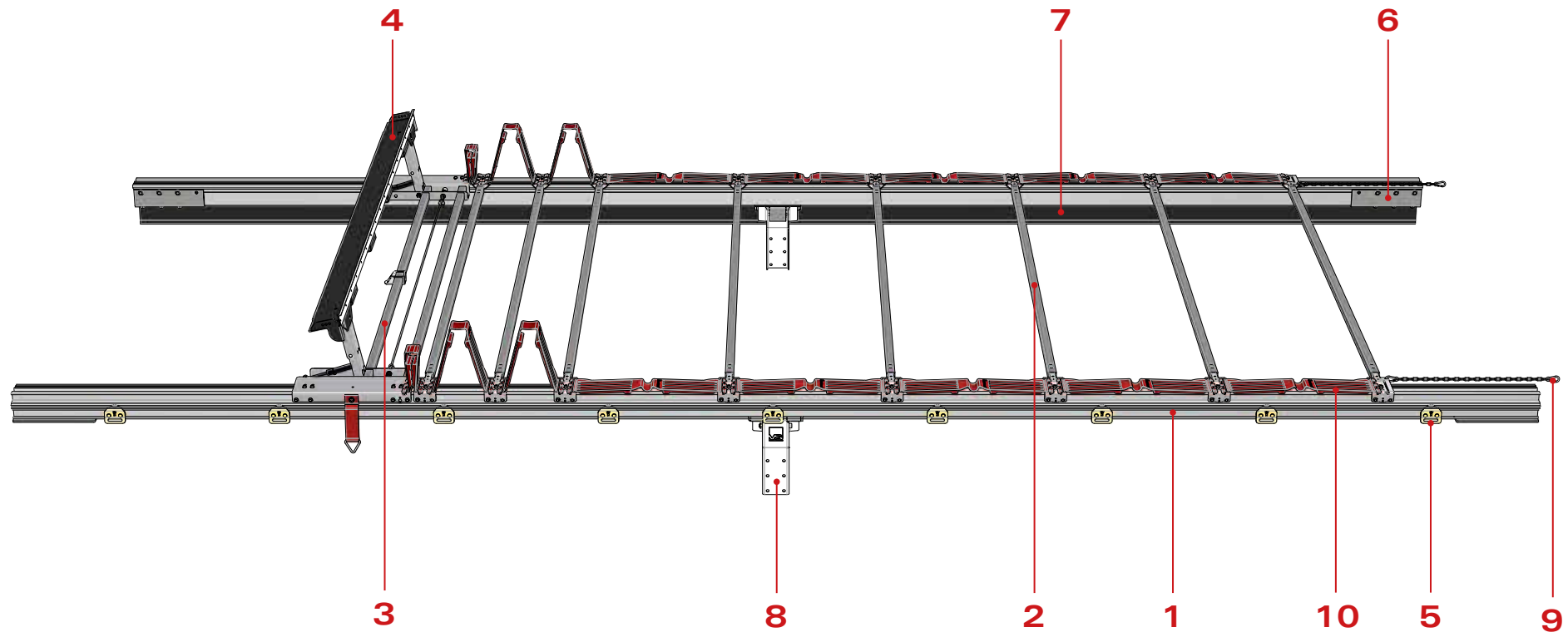


**Bolt tensilock
M10x35mm**

PART NR.

091-23002

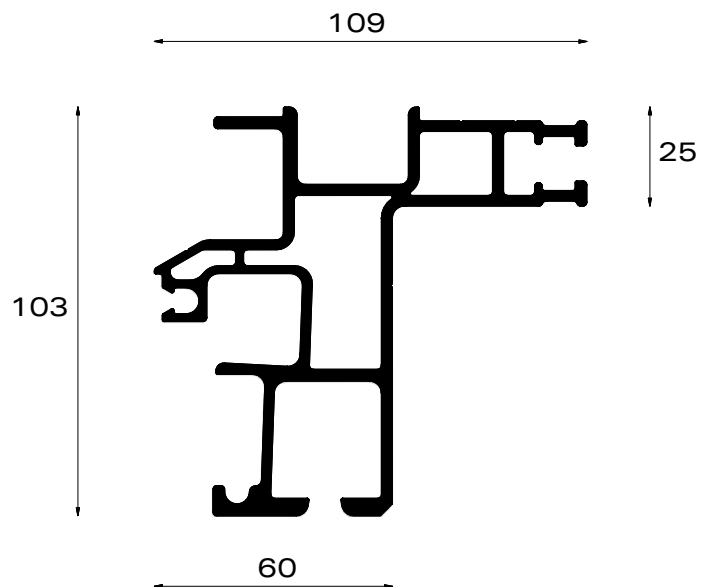




| | |
|----------|----------------------|
| 1 | Micro Trike rail |
| 2 | Roof stick |
| 3 | Collapsible backside |
| 4 | Back beam |
| 5 | Trike roller |
| 6 | Set mounting plates |

| | |
|-----------|-----------------|
| 7 | PVC pelmet |
| 8 | Pillar bracket |
| 9 | Set accessories |
| 10 | Folding plate |
| 11 | Carapax plate |
| 12 | Pull bar |

1 Micro Trike rail



PART NR.

L = 4,5m 162-34450

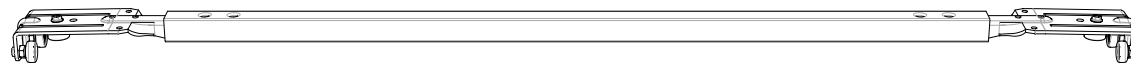
L = 7,8m* 162-34780

L = 8,5m* 162-34850

$I_x : 149\text{cm}^4$
 $I_y : 104\text{cm}^4$
 $\pm 4 \text{ kg/m}$

* pre-bended

2a Roof stick for sliding roof



PART NR.

SB=2550 - Type SP 224-01001

SB=2550 - Type AS (Al) 224-03001

2b Roof stick for fixed roof with polyester cover

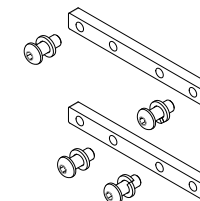


PART NR.

SB=2550 - Type SP 224-41101

SB=2550 - Type AS (Al) 224-43101

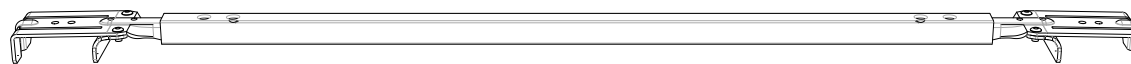
Mounting set roof stick fix 144-10048



* Roof stick screwed to rail with bolts

* 1 set/roof stick

2c Roof Stick for fixed roof with tarpaulin cover

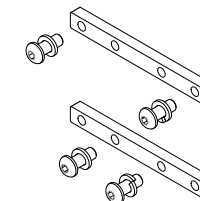


PART NR.

SB=2550 - Type SP 224-41211

SB=2550 - Type AS (Al) 224-43211

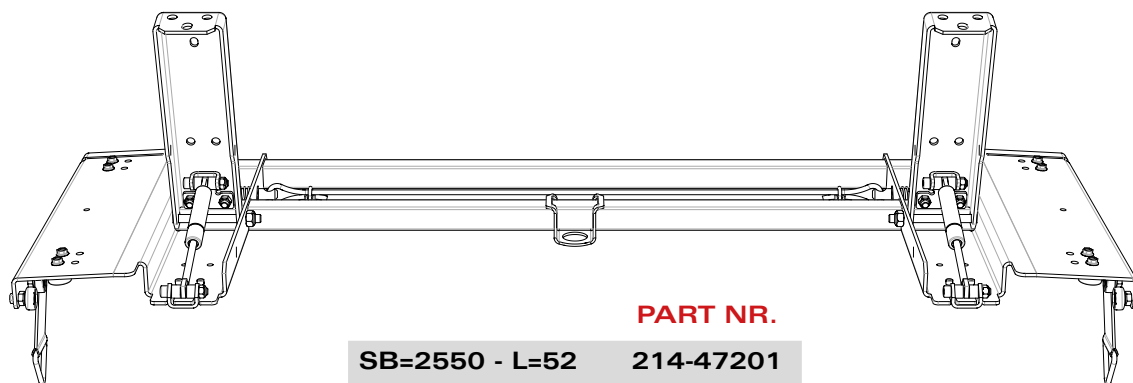
Mounting set roof stick fix 144-10048



* Roof stick screwed to rail with bolts

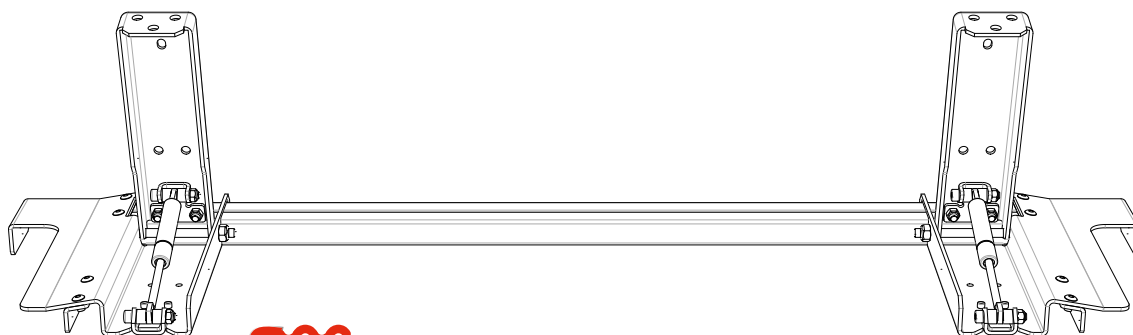
* 1 set/roof stick

3a Collapsible backside



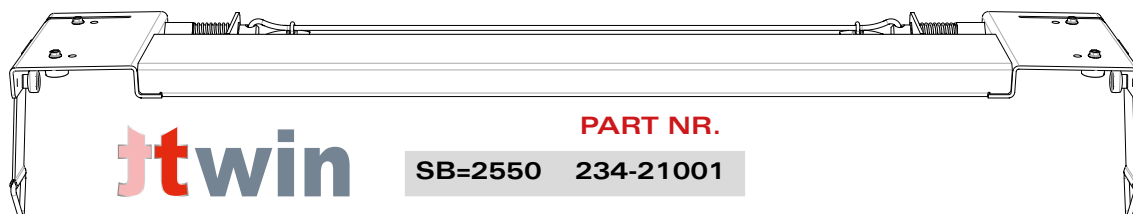
PART NR.
SB=2550 - L=52 214-47201

3b Collapsible backside for fixed roof with tarpaulin cover



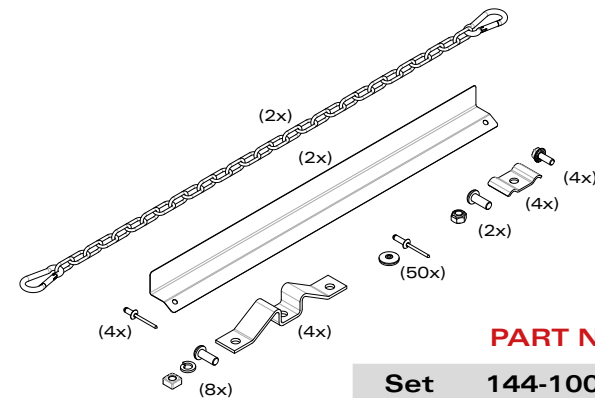
PART NR.
SB=2550 - L=100 324-47201

Front header



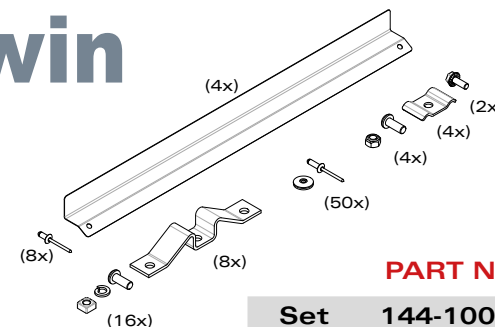
PART NR.
SB=2550 234-21001

9a Set accessories



PART NR.
Set 144-10001

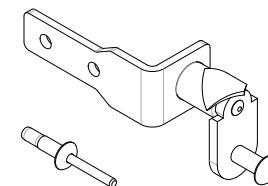
9b Set accessories Twin



PART NR.
Set 144-10018

* Micro Trike Twin sliding roof: this set replaces the basic set accessories (144-10001)!

9c Set lock collapsible backside



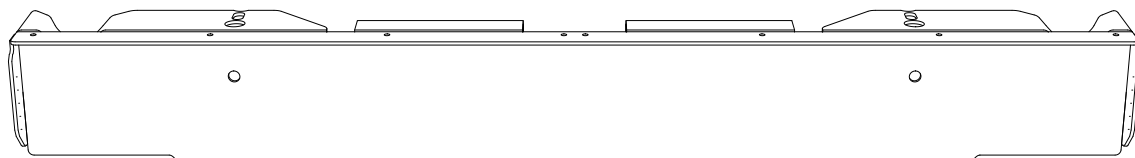
PART NR.
Set 144-10086

9d Set accessories external unlocking

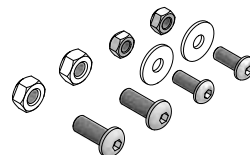


PART NR.
Set 144-10174

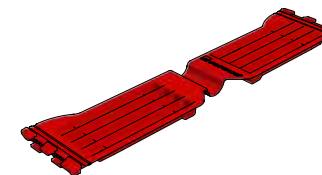
4a Back beam



| PART NR. | |
|----------------|-----------|
| SB=2550 - 125Z | 193-11001 |
| Mounting set | 144-10022 |

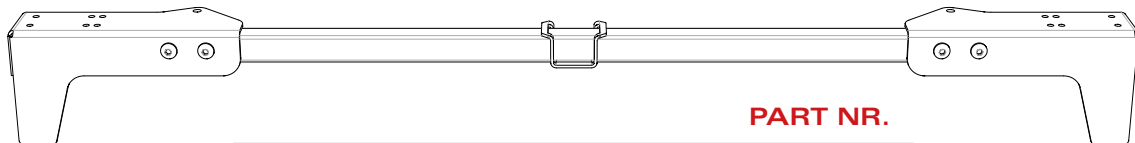


10 Folding plate



| PART NR. | |
|----------|-----------|
| Type 400 | 242-01004 |
| Type 500 | 242-01005 |
| Type 600 | 242-01006 |
| Type 700 | 242-01007 |
| Type 570 | 242-01057 |
| Type 650 | 242-01065 |

4b Back beam



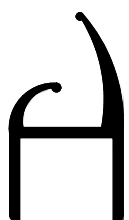
| PART NR. | |
|----------------------------|-----------|
| Set back beam tube 30x30mm | 144-10037 |
| Tube 30x30x2mm | 112-07001 |

Rain strip for back beam (4a)



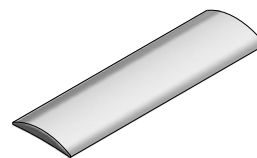
| PART NR. | |
|----------|-----------|
| SB=2550 | 192-01601 |

Rain strip for front header

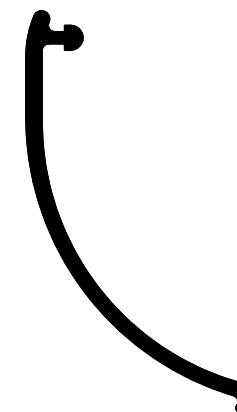


ttwin

| PART NR. | |
|-------------------------------|-----------|
| Rain strip SB=2550 | 192-01606 |
| PVC pelmet L = 2,6m (black) | 242-20001 |
| Mounting strip 30x5mm L= 2,6m | 292-07001 |

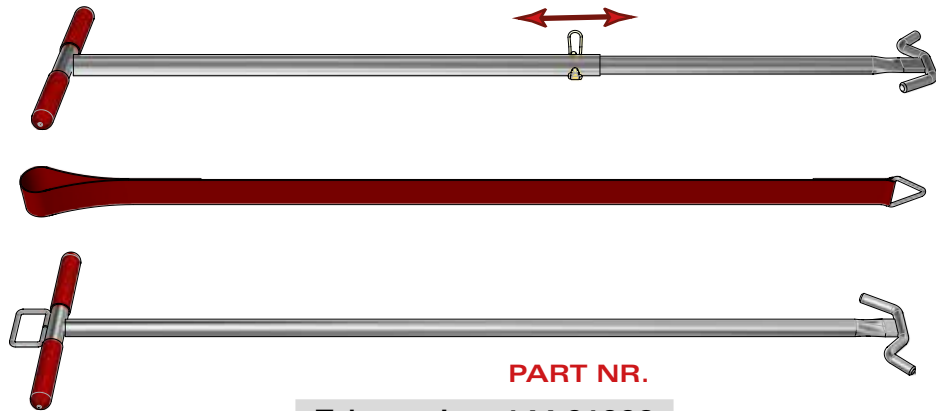


7 PVC pelmet (black)



| PART NR. | |
|----------|-----------|
| L = 9m | 242-15109 |
| L = 14m | 242-15114 |

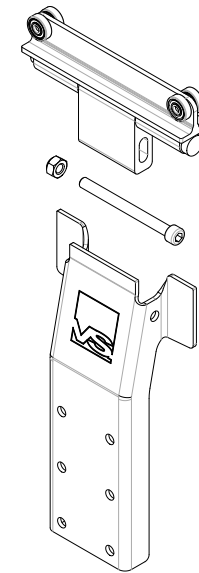
12 Pull bars & webbing



PART NR.

| | |
|------------|-----------|
| Telescopic | 144-01006 |
| Webbing | 144-01500 |
| Standard | 144-01003 |

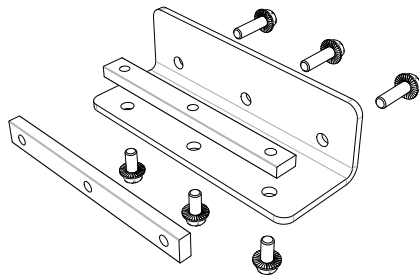
8 Pillar bracket



PART NR.

| | |
|------------|-----------|
| Bracket | 264-01001 |
| Bolt & nut | 144-10015 |
| Plate | 262-05007 |

6 Set mounting plates

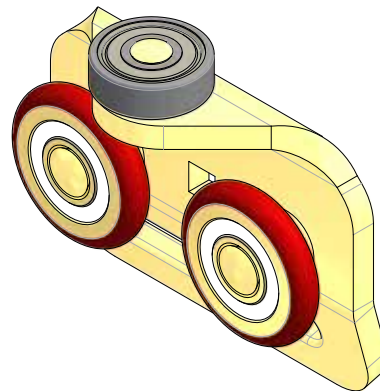


PART NR.

154-03041

* contains 4x the parts of the picture

5 Trike roller



PART NR.

284-10024

11 Carapax plate

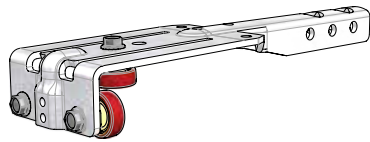


PART NR.

291-03004

* only needed for roof with Carapax cover

For roof sticks



Assembled bracket

PART NR.

174-02001



Roller bearing plastic

PART NR.

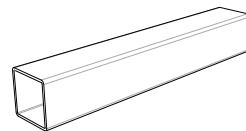
132-01001



Bolt tensilock M6x16mm

PART NR.

091-23001

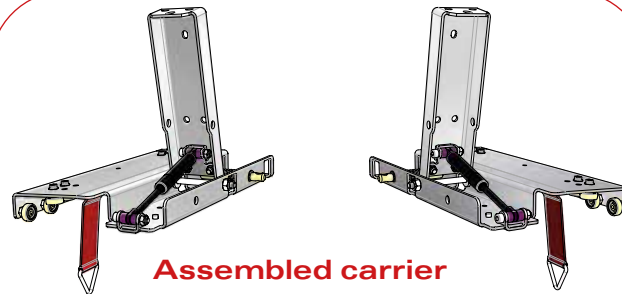


Tube 30x30x1,5mm

PART NR.

L = 2185mm 112-01003

For collapsible backside

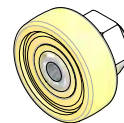


Assembled carrier

PART NR.

Left 204-47201

Right 204-47202



Roller bearing steel

PART NR.

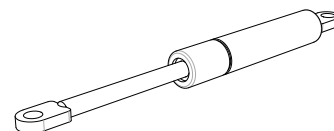
132-03001



Bolt tensilock M6x16mm

PART NR.

091-23001

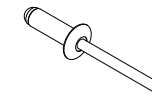


Gas spring 700N

PART NR.

302-01001

For accessories set



Rivet & washer

PART NR.

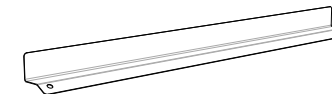
50 pieces 144-10003



Rope clamp

PART NR.

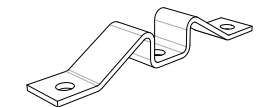
292-01001



Protection plate

PART NR.

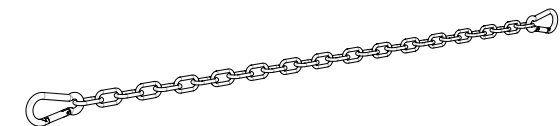
142-06006



Locking nose

PART NR.

142-05002

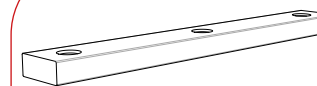


Chain with 2 hooks

PART NR.

142-07001

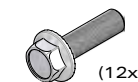
For mounting set



Mounting block

PART NR.

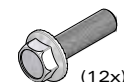
152-02001



Bolt tensilock M10x20mm

PART NR.

091-23004

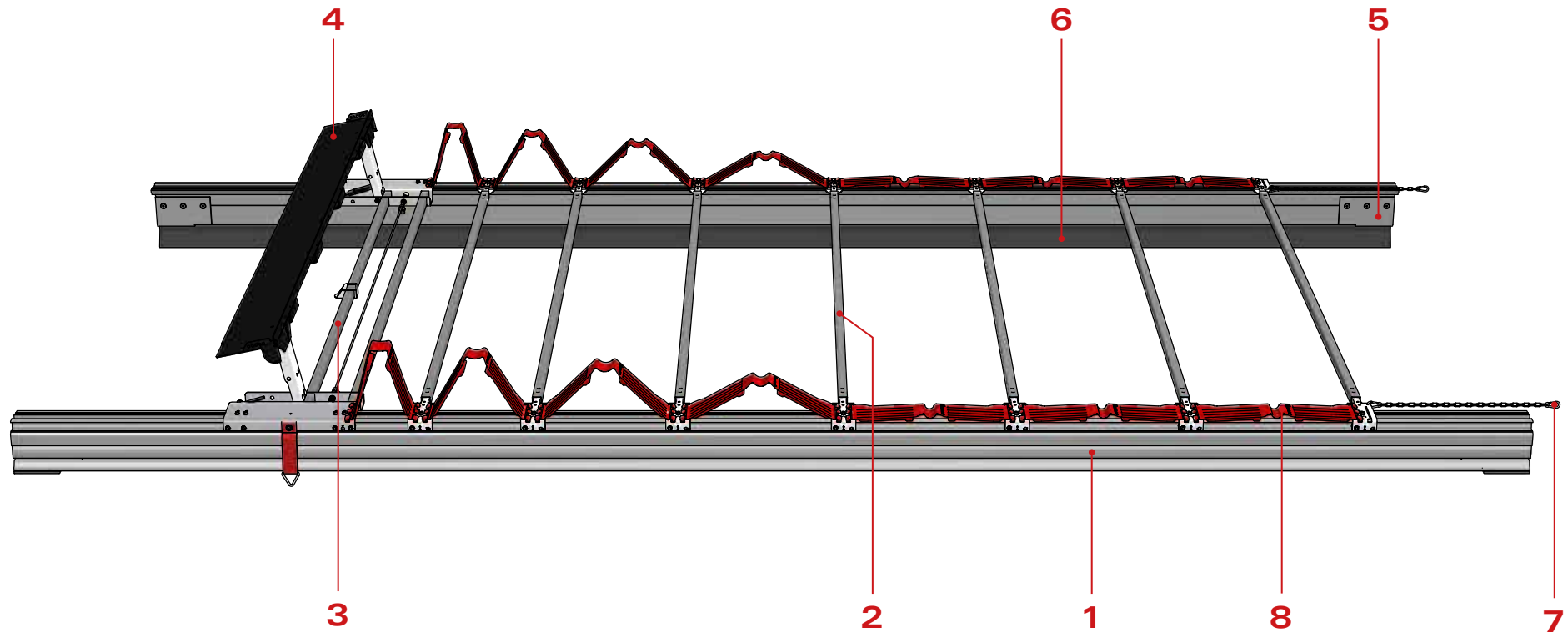


Bolt tensilock M10x35mm

PART NR.

091-23002

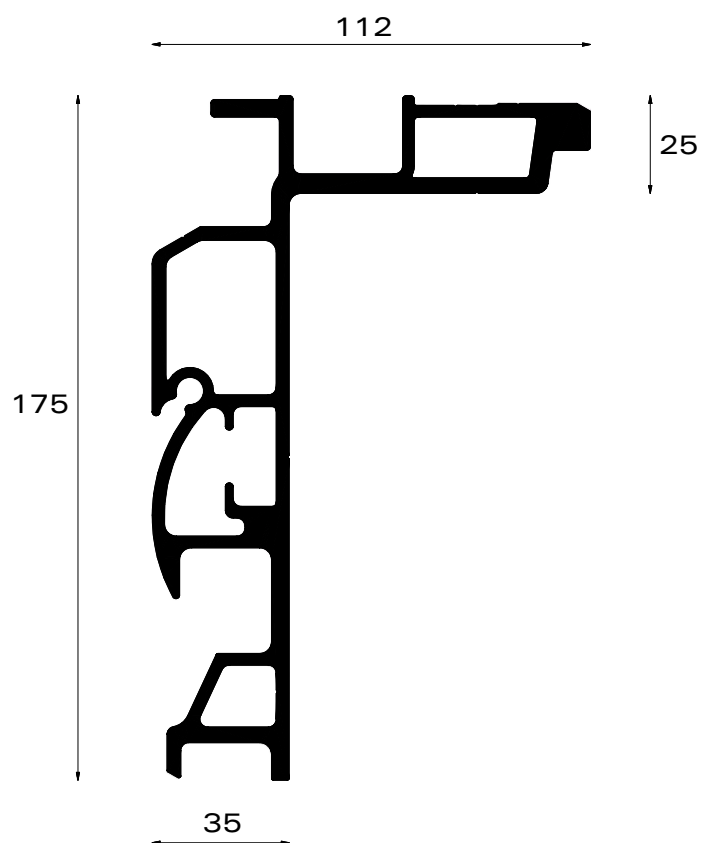




| | | | |
|----------|----------------------|------------|-----------------|
| 1 | Alto Penta rail | 6 | PVC pelmet |
| 2 | Roof stick | 7 | Set accessories |
| 3 | Collapsible backside | 8 | Folding plate |
| 4 | Back beam | 9* | Carapax plate |
| 5 | Set mounting plates | 10* | Pull bar |

* Not visible on the composition drawing above.

1 Alto Penta rail



PART NR.

| | |
|----------|-----------|
| L = 7,8m | 162-37780 |
|----------|-----------|

| | |
|----------|-----------|
| L = 8,5m | 162-37850 |
|----------|-----------|

| | |
|-------------|-----------|
| * L = 13,6m | 162-37136 |
|-------------|-----------|

* profile with pre-bending & milling

I_x : 711cm⁴

I_y : 213cm⁴

± 6,1 kg/m

2a Roof stick for sliding roof

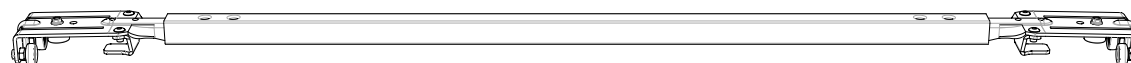


PART NR.

| | |
|-------------------|-----------|
| SB=2550 - Type SP | 224-01001 |
|-------------------|-----------|

| | |
|------------------------|-----------|
| SB=2550 - Type AS (Al) | 224-03001 |
|------------------------|-----------|

2b Roof stick with anti-fly hook for sliding roof



PART NR.

| | |
|-------------------|-----------|
| SB=2550 - Type SP | 224-91001 |
|-------------------|-----------|

| | |
|------------------------|-----------|
| SB=2550 - Type AS (Al) | 224-93001 |
|------------------------|-----------|

2c Roof Stick for fixed roof with tarpaulin cover



PART NR.

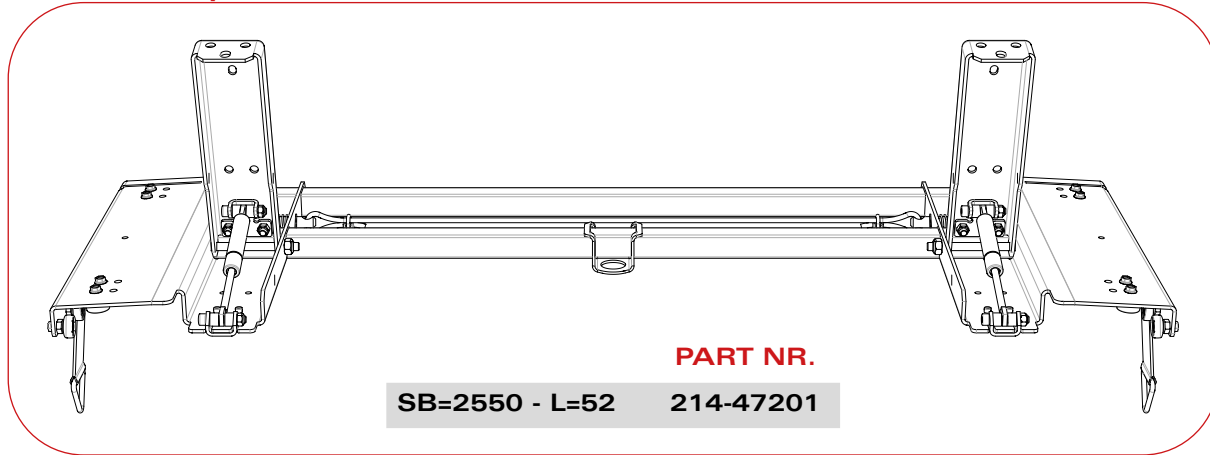
| | |
|-------------------|-----------|
| SB=2550 - Type SP | 224-41201 |
|-------------------|-----------|

| | |
|------------------------|-----------|
| SB=2550 - Type AS (Al) | 224-43201 |
|------------------------|-----------|

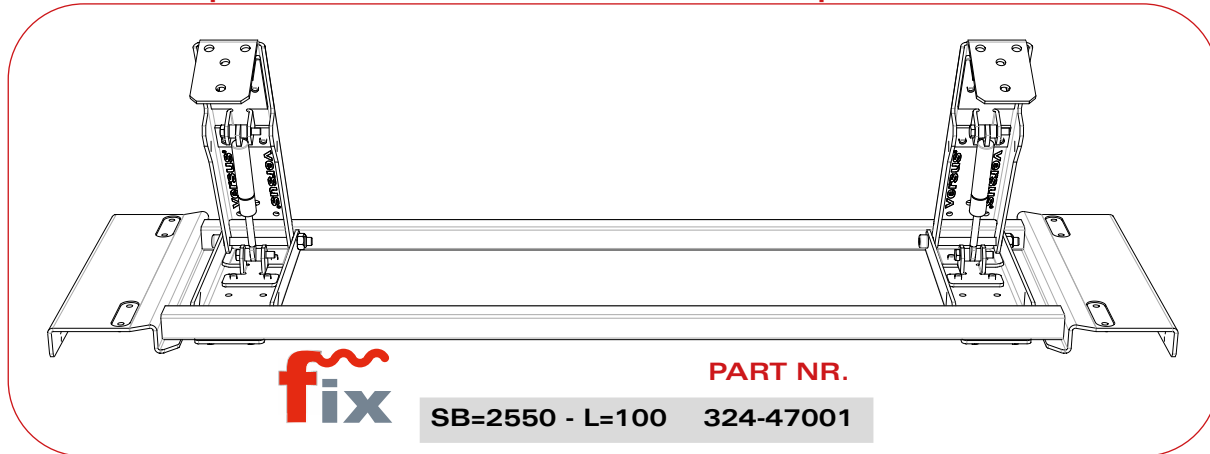


* Roof stick riveted to rail with monobolts

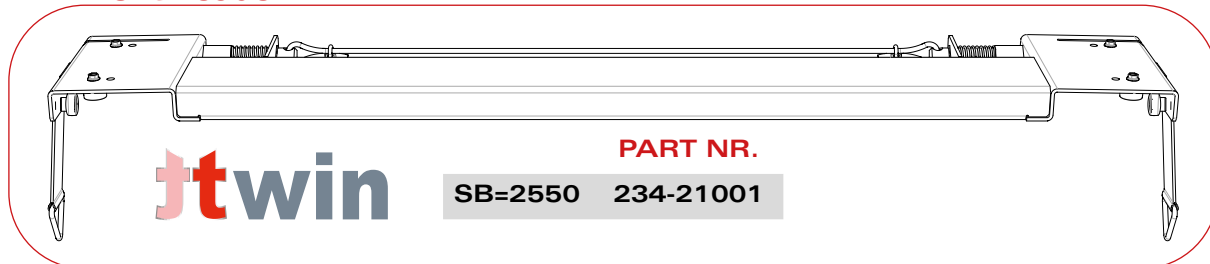
3a Collapsible backside



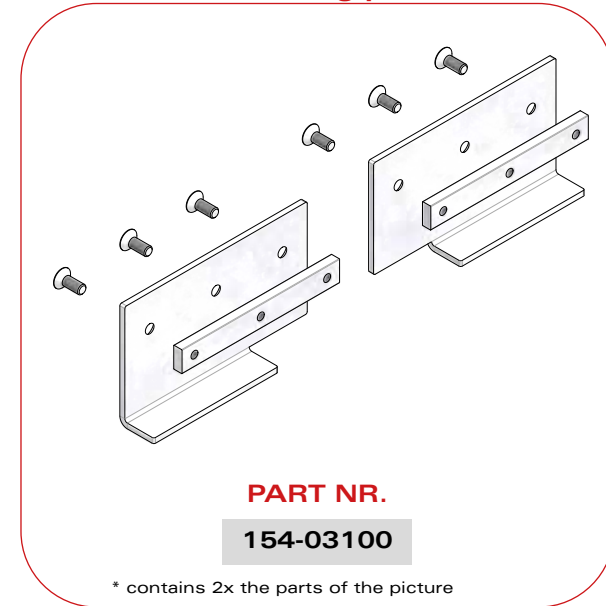
3b Collapsible backside for fixed roof with tarpaulin cover



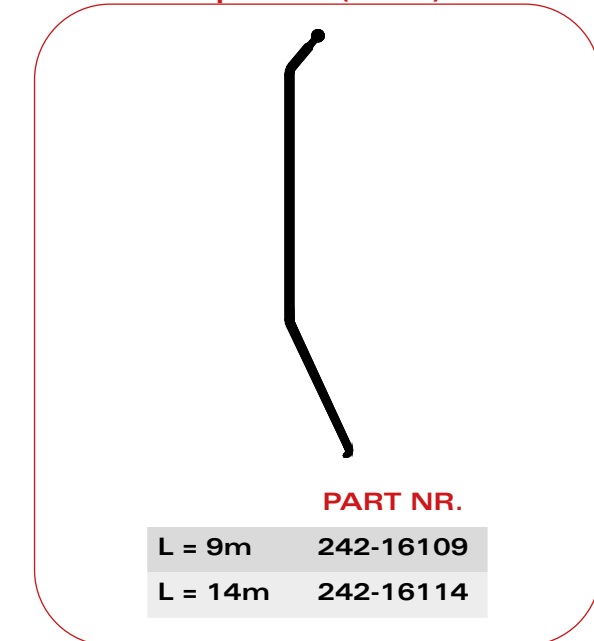
Front header



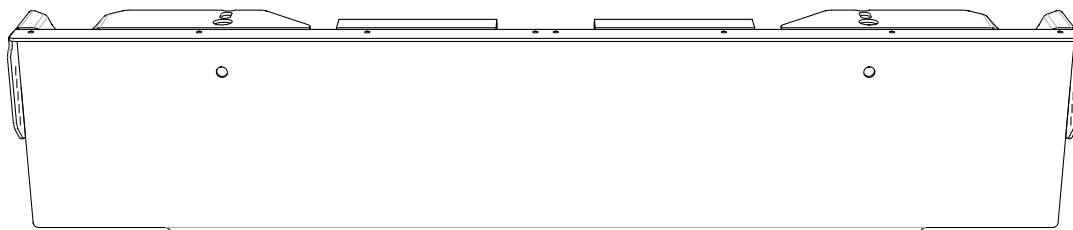
5 Set mounting plates



6 PVC pelmet (black)

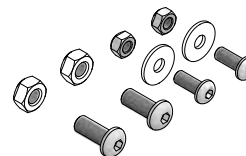


4a Back beam

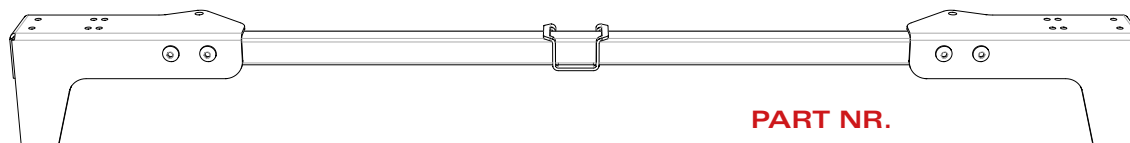


PART NR.

| | |
|----------------|-----------|
| SB=2550 - 208Z | 193-18001 |
| Mounting set | 144-10022 |



4b Back beam



PART NR.

| | |
|----------------------------|-----------|
| Set back beam tube 30x30mm | 144-10037 |
| Tube 30x30x2mm | 112-07001 |

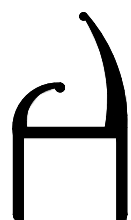
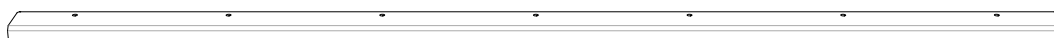
Rain strip for back beam (4a)



PART NR.

| | |
|---------|-----------|
| SB=2550 | 192-01601 |
|---------|-----------|

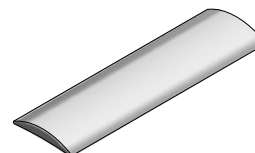
Rain strip for front header



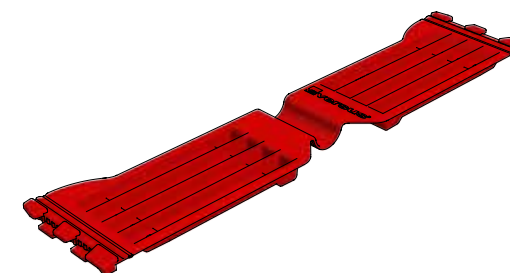
ttwin

PART NR.

| | |
|-------------------------------|-----------|
| Rain strip SB=2550 | 192-01606 |
| PVC pelmet L = 2,6m (black) | 242-20001 |
| Mounting strip 30x5mm L= 2,6m | 292-07001 |



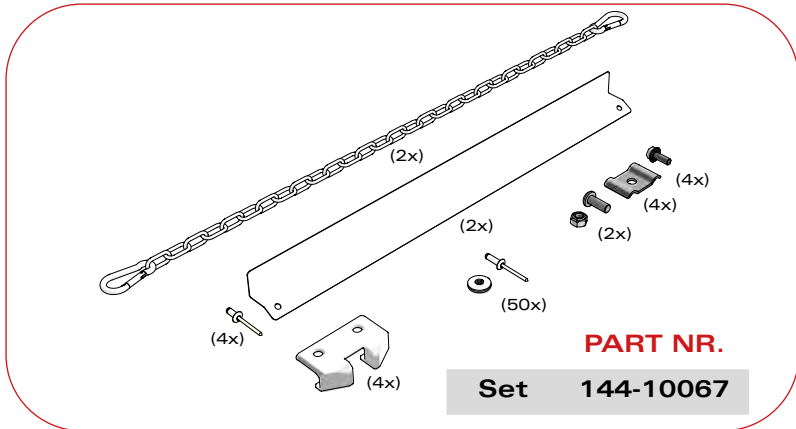
8 Folding plate



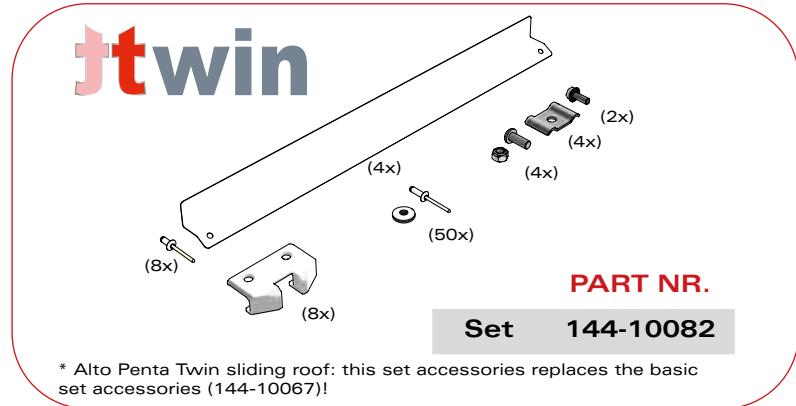
PART NR.

| | |
|----------|-----------|
| Type 400 | 242-01004 |
| Type 500 | 242-01005 |
| Type 600 | 242-01006 |
| Type 700 | 242-01007 |
| Type 570 | 242-01057 |
| Type 650 | 242-01065 |

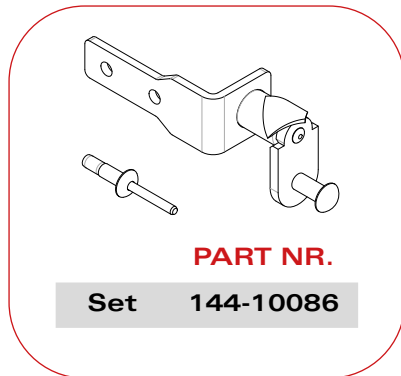
7a Set accessories



7b Set accessories Twin



7c Set lock collapsible backside



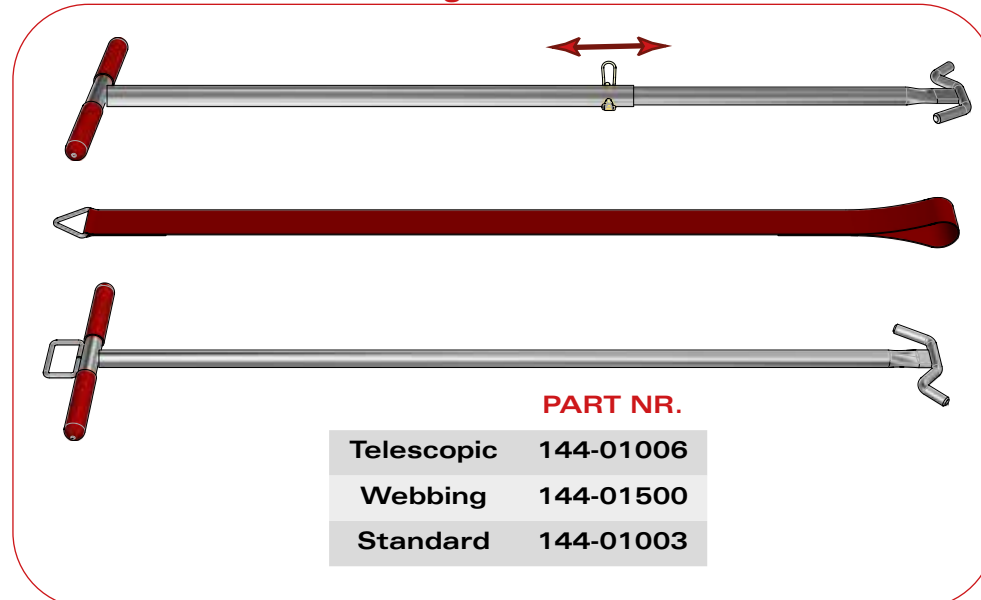
7d Set accessories external unlocking



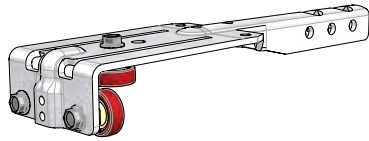
9 Carapax plate



10 Pull bars & webbing



For roof sticks



Assembled bracket

PART NR.

174-02001



Roller bearing plastic

PART NR.

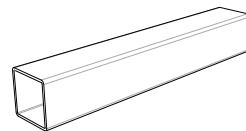
132-01001



Bolt tensilock M6x16mm

PART NR.

091-23001

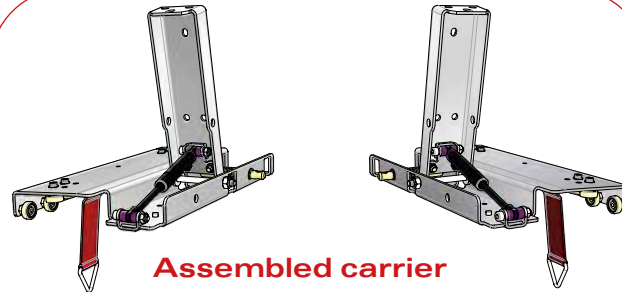


Tube 30x30x1,5mm

PART NR.

L = 2185mm 112-01003

For collapsible backside

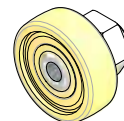


Assembled carrier

PART NR.

Left 204-47201

Right 204-47202



Roller bearing steel

PART NR.

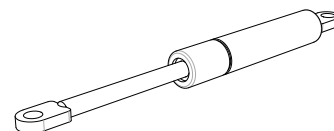
132-03001



Bolt tensilock M6x16mm

PART NR.

091-23001

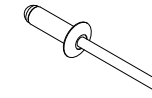


Gas spring 700N

PART NR.

302-01001

For accessories set



Rivet & washer

PART NR.

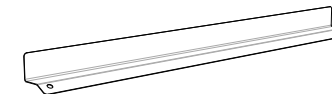
50 pieces 144-10003



Rope clamp

PART NR.

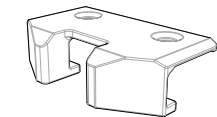
292-01001



Protection plate

PART NR.

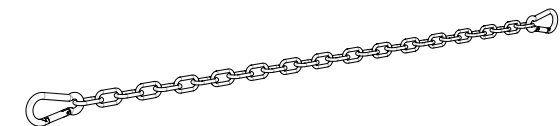
142-06006



Locking nose

PART NR.

142-05020

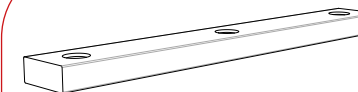


Chain with 2 hooks

PART NR.

142-07001

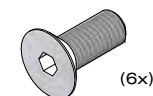
For mounting set



Mounting block

PART NR.

152-02001

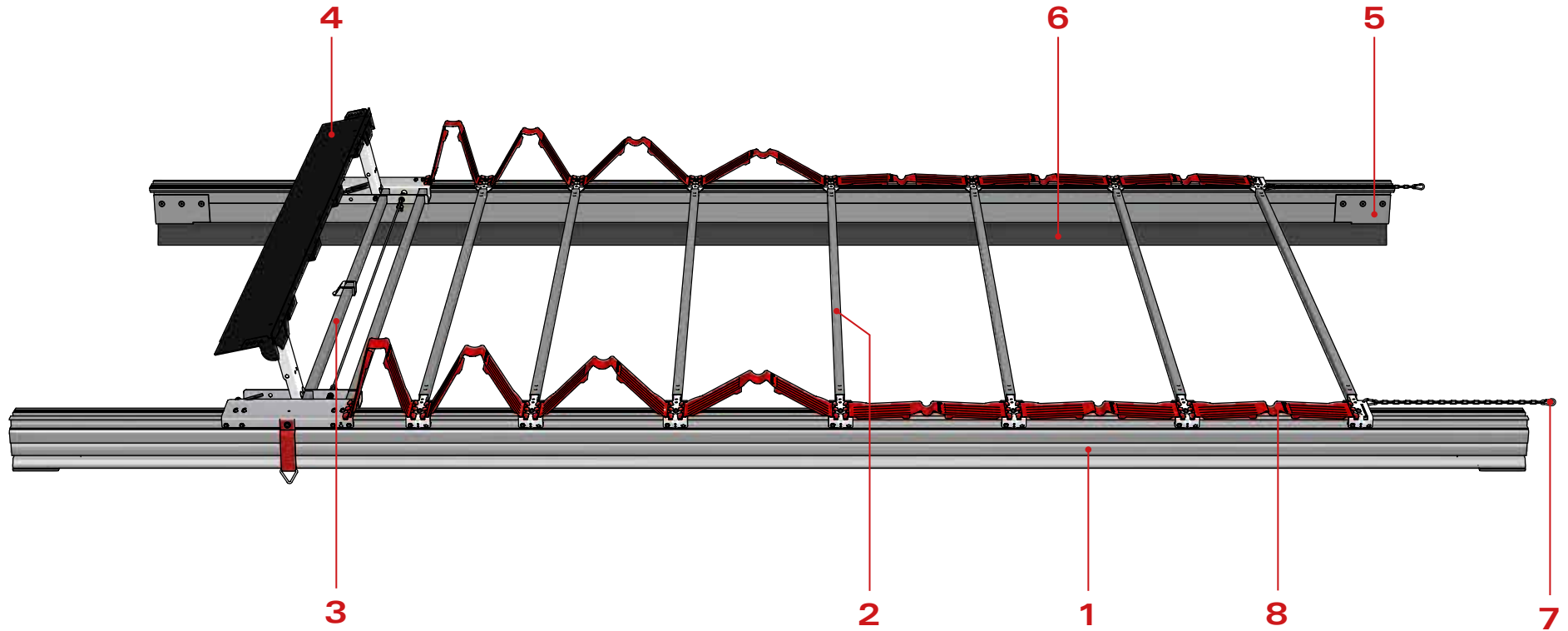


**Bolt
M10x25mm
(6x)**

PART NR.

091-26002



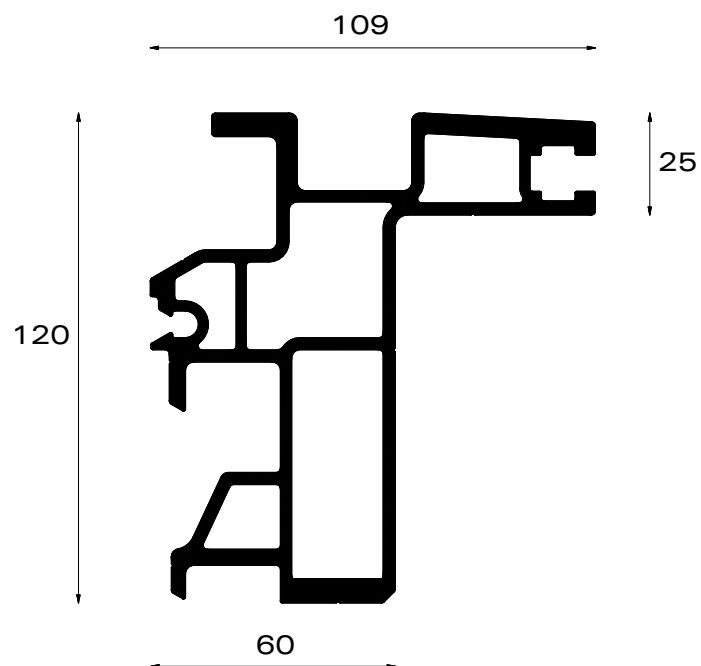


| | |
|----------|----------------------|
| 1 | Duo Penta rail |
| 2 | Roof stick |
| 3 | Collapsible backside |
| 4 | Back beam |
| 5 | Set mounting plates |

| | |
|------------|-----------------|
| 6 | PVC pelmet |
| 7 | Set accessories |
| 8 | Folding plate |
| 9* | Carapax plate |
| 10* | Pull bar |

* Not visible on the composition drawing above.

1 Duo Penta rail



PART NR.

| | |
|-------------------------------------|-----------|
| L = 5m | 162-30500 |
| L = 7,8m | 162-30780 |
| L = 8,5m | 162-30850 |
| * L = 10,5m | 162-30105 |
| * L = 13,6m | 162-30136 |
| *profile with pre-bending & milling | |
| Ix : 325cm ⁴ | |
| Iy : 174cm ⁴ | |
| ± 5,7 kg/m | |

2a Roof stick for sliding roof



PART NR.

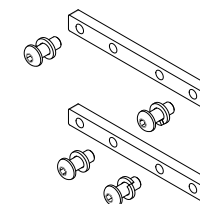
| | |
|------------------------|-----------|
| SB=2550 - Type SP | 224-01001 |
| SB=2550 - Type AS (Al) | 224-03001 |

2b Roof stick for fixed roof with polyester cover



PART NR.

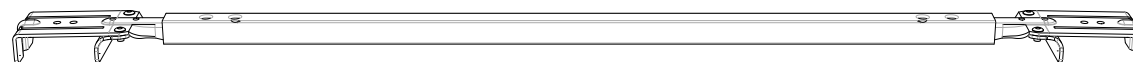
| | |
|-----------------------------|-----------|
| SB=2550 - Type SP | 224-41101 |
| SB=2550 - Type AS (Al) | 224-43101 |
| Mounting set roof stick fix | 144-10048 |



* Roof stick screwed to rail with bolts

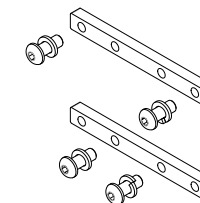
* 1 set/roof stick

2c Roof stick for fixed roof with tarpaulin cover



PART NR.

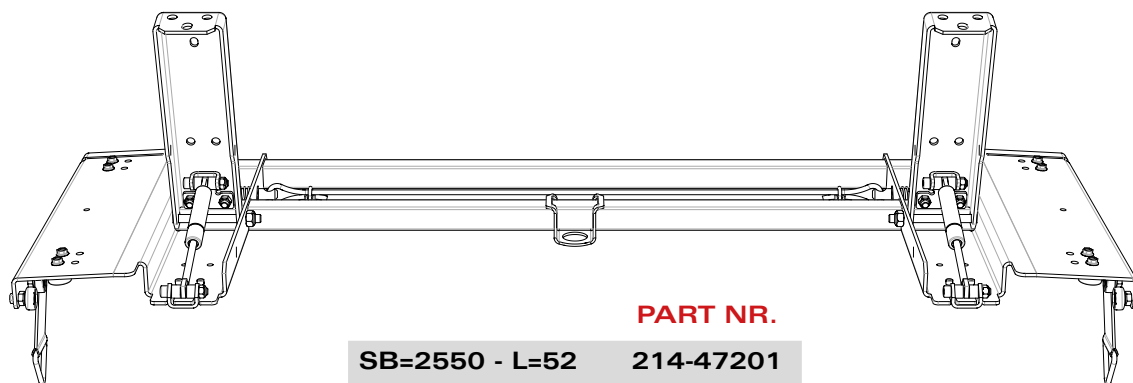
| | |
|-----------------------------|-----------|
| SB=2550 - Type SP | 224-41211 |
| SB=2550 - Type AS (Al) | 224-43211 |
| Mounting set roof stick fix | 144-10048 |



* Roof stick screwed to rail with bolts

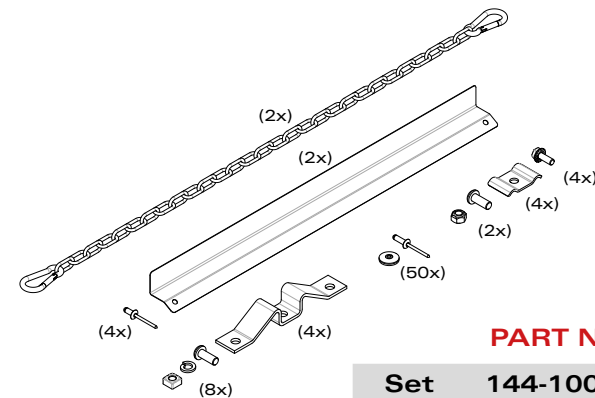
* 1 set/roof stick

3a Collapsible backside



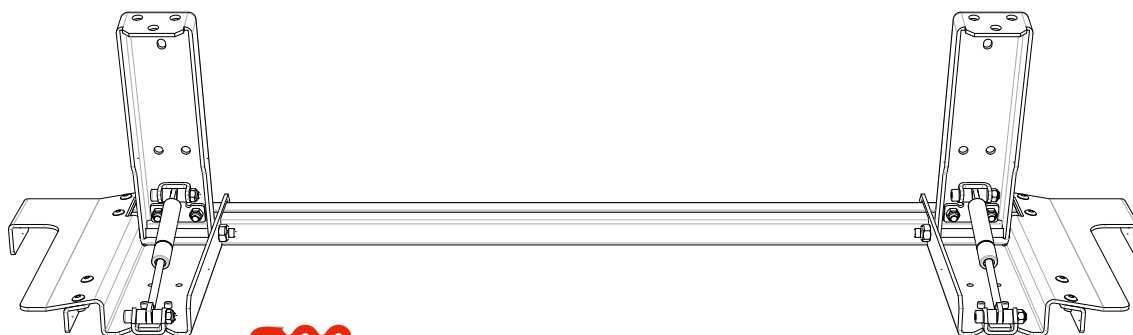
PART NR.
SB=2550 - L=52 214-47201

7a Set accessories



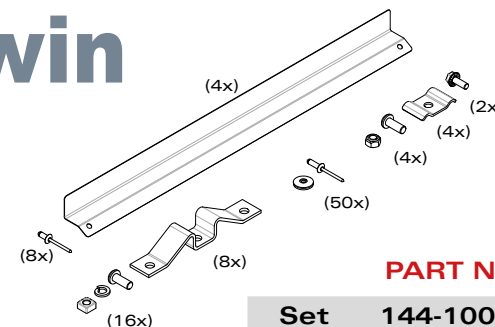
PART NR.
Set 144-10001

3b Collapsible backside for fixed roof with tarpaulin cover



PART NR.
SB=2550 - L=100 324-47201

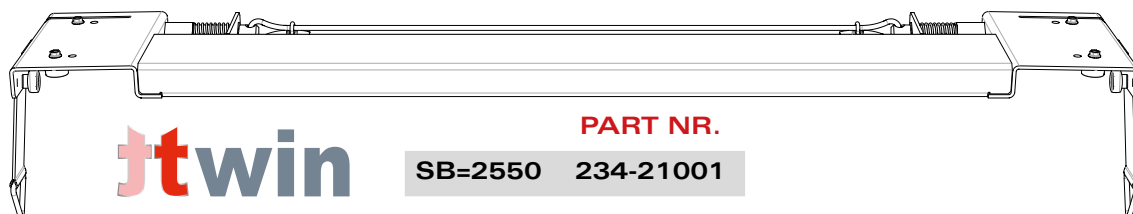
7b Set accessories Twin



PART NR.
Set 144-10018

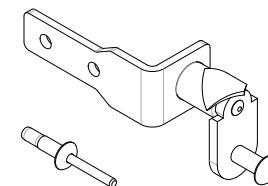
* Duo Penta Twin sliding roof: this set replaces the basic set accessories (144-10001)!

Front header



PART NR.
SB=2550 234-21001

7c Set lock collapsible backside



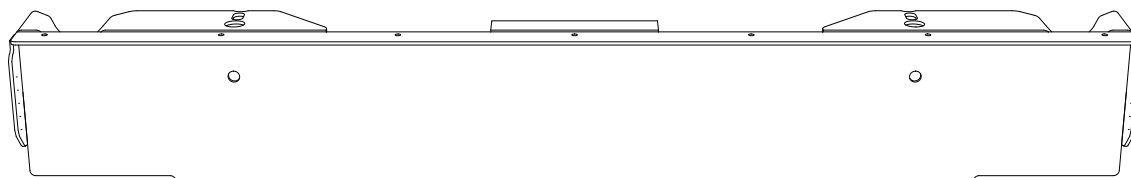
PART NR.
Set 144-10086

7d Set accessories external unlocking

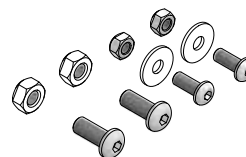


PART NR.
Set 144-10174

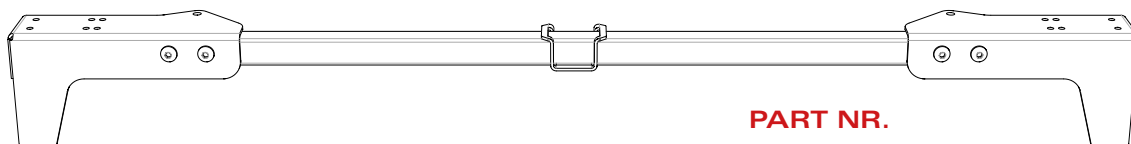
4a Back beam



| PART NR. | |
|----------------|-----------|
| SB=2550 - 145Z | 193-14001 |
| Mounting set | 144-10022 |

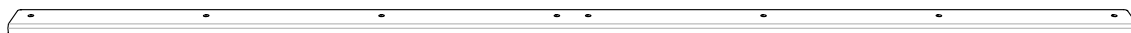


4b Back beam



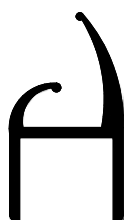
| PART NR. | |
|----------------------------|-----------|
| Set back beam tube 30x30mm | 144-10037 |
| Tube 30x30x2mm | 112-07001 |

Rain strip for back beam (4a)



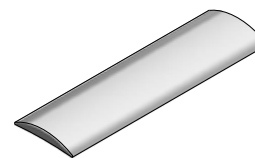
| PART NR. | |
|----------|-----------|
| SB=2550 | 192-01601 |

Rain strip for front header

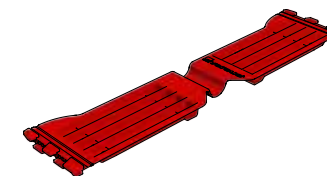


ttwin

| PART NR. | |
|--------------------------------|-----------|
| Rain strip SB=2550 | 192-01606 |
| PVC pelmet L = 2,6m (black) | 242-20001 |
| Mounting strip 30x5mm L = 2,6m | 292-07001 |

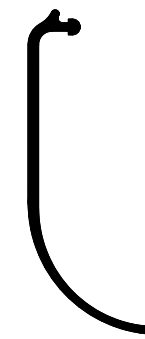


8 Folding plate



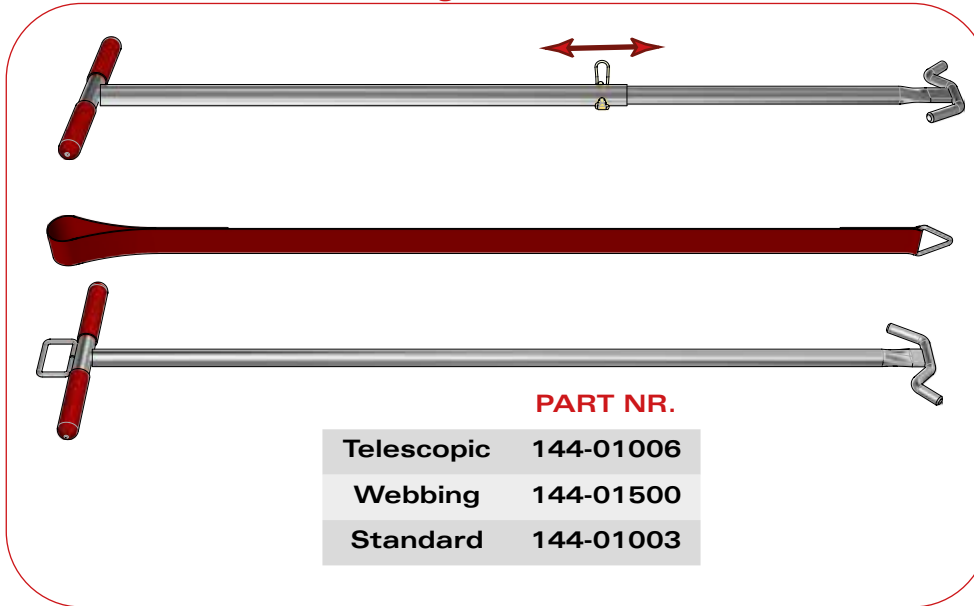
| PART NR. | |
|----------|-----------|
| Type 400 | 242-01004 |
| Type 500 | 242-01005 |
| Type 600 | 242-01006 |
| Type 700 | 242-01007 |
| Type 570 | 242-01057 |
| Type 650 | 242-01065 |

6 PVC pelmet (black)



| PART NR. | |
|----------|-----------|
| L = 9m | 242-02109 |
| L = 14m | 242-02114 |

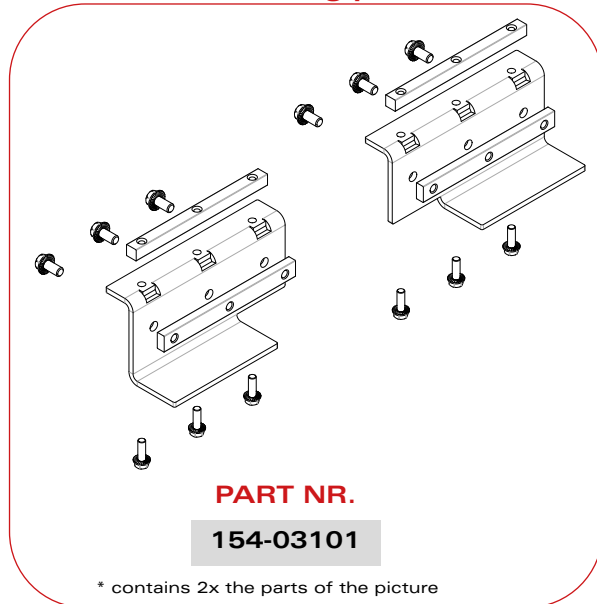
10 Pull bars & webbing



Pillars

Please see chapter Penta slider systems.

5 Set mounting plates



Roller

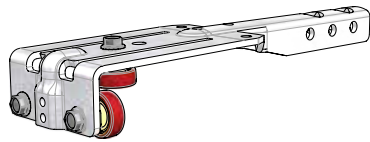
Please see chapter Penta slider systems.

9 Carapax plate



* only needed for roof with Carapax cover

For roof sticks



Assembled bracket

PART NR.

174-02001



Roller bearing plastic

PART NR.

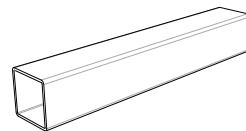
132-01001



Bolt tensilock M6x16mm

PART NR.

091-23001

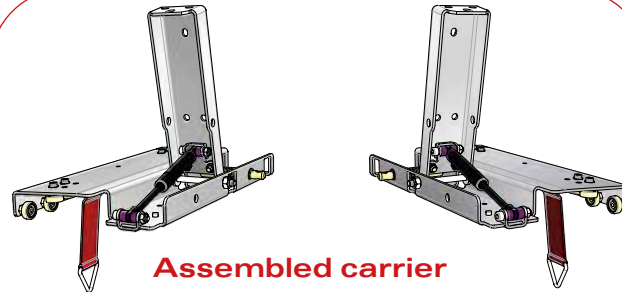


Tube 30x30x1,5mm

PART NR.

L = 2185mm 112-01003

For collapsible backside

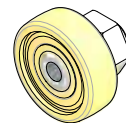


Assembled carrier

PART NR.

Left 204-47201

Right 204-47202



Roller bearing steel

PART NR.

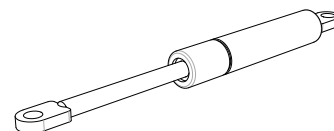
132-03001



Bolt tensilock M6x16mm

PART NR.

091-23001

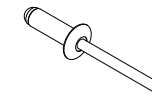


Gas spring 700N

PART NR.

302-01001

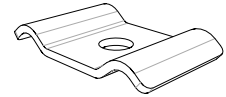
For accessories set



Rivet & washer

PART NR.

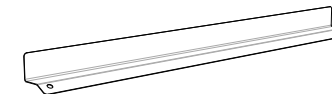
50 pieces 144-10003



Rope clamp

PART NR.

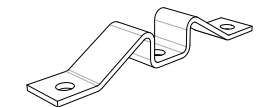
292-01001



Protection plate

PART NR.

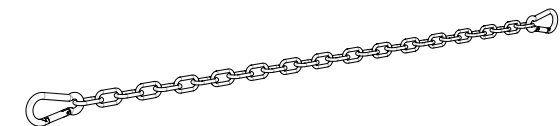
142-06006



Locking nose

PART NR.

142-05002

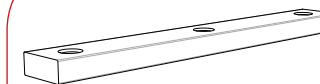


Chain with 2 hooks

PART NR.

142-07001

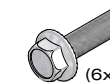
For mounting set



Mounting block
PART NR.

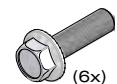
14x14 152-02019

20x10 152-02006



Bolt tensilock
M10x20mm
PART NR.

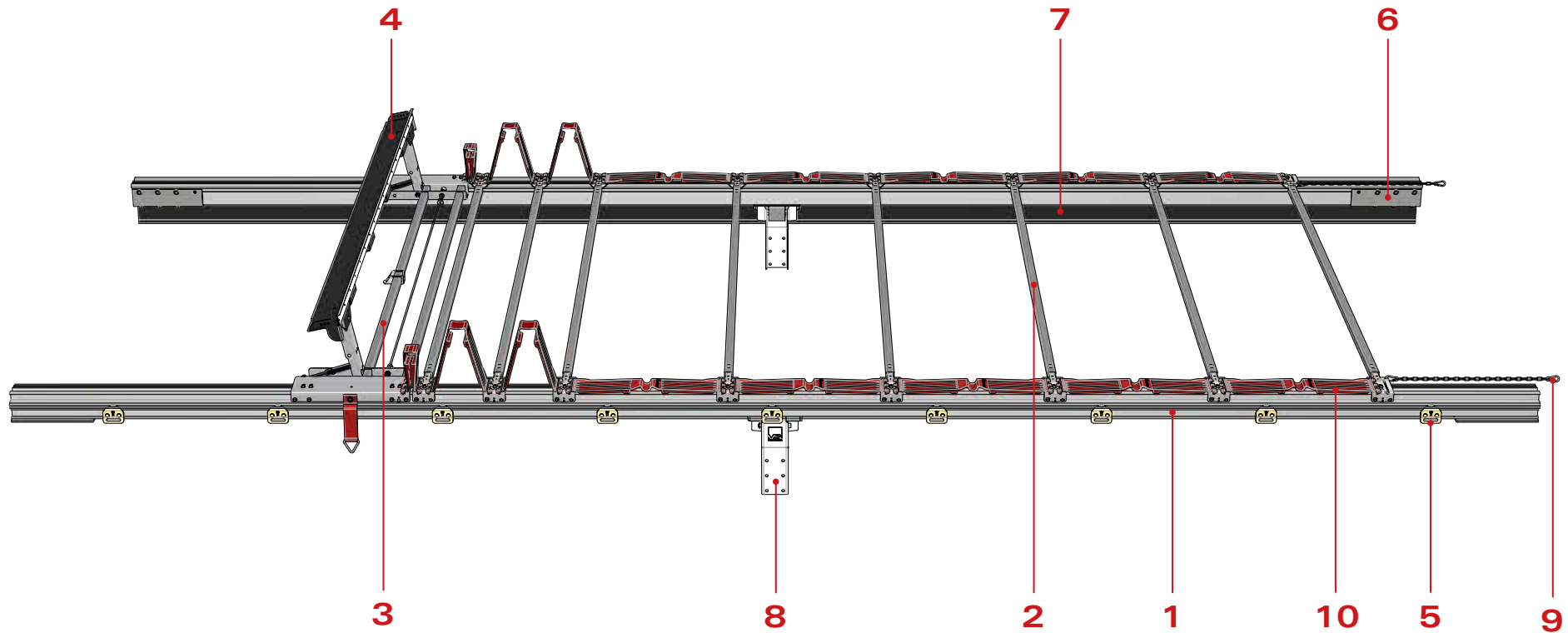
091-23004



Bolt tensilock
M8x25mm
PART NR.

091-23005

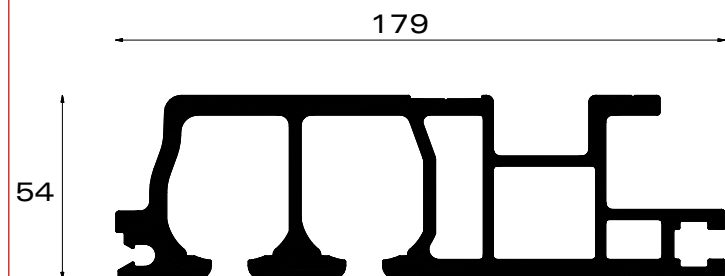




| | |
|---|----------------------|
| 1 | Plano rail |
| 2 | Roof stick |
| 3 | Collapsible backside |
| 4 | Back beam |
| 5 | Roller |
| 6 | Set mounting plates |

| | |
|----|-----------------|
| 7 | PVC pelmet |
| 8 | Pillar bracket |
| 9 | Set accessories |
| 10 | Folding plate |
| 11 | Pull bar |

1 Plano rail



PART NR.

| | |
|-------------|-----------|
| * L = 7,5m | 162-05750 |
| * L = 8,5m | 162-05850 |
| * L = 9,5m | 162-05950 |
| * L = 13,6m | 162-05136 |

* profile with pre-bending

$I_x : 107\text{cm}^4$
 $I_y : 739\text{cm}^4$
 $\pm 7,5 \text{ kg/m}$

2a Roof stick for sliding roof



PART NR.

| | |
|------------------------|-----------|
| SB=2550 - Type SP | 224-01031 |
| SB=2550 - Type AS (Al) | 224-03031 |

2b Roof stick for fixed roof with tarpaulin cover



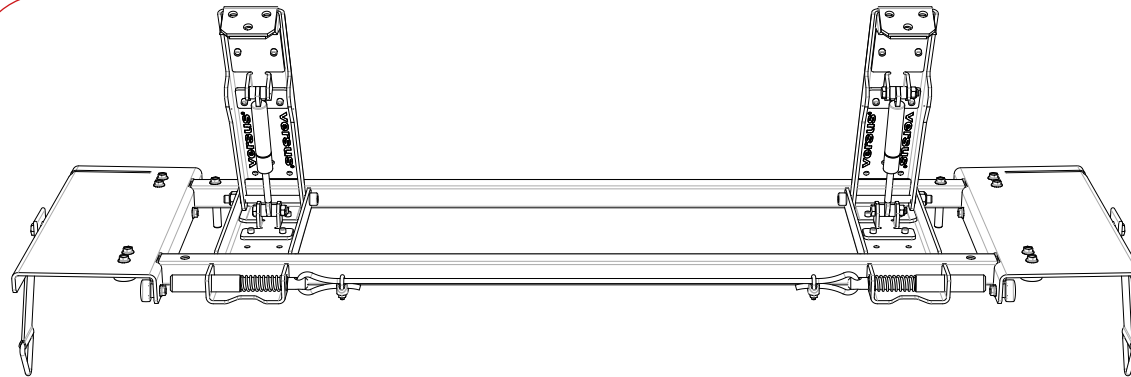
PART NR.



| | |
|------------------------|-----------|
| SB=2550 - Type SP | 224-01231 |
| SB=2550 - Type AS (Al) | 224-23231 |

* Roof stick fixed to rail with monobolts

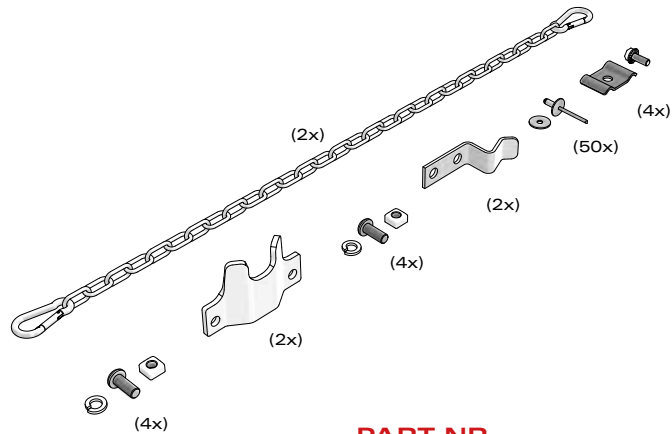
3 Collapsible backside



PART NR.

SB=2550 - L=52 214-03031

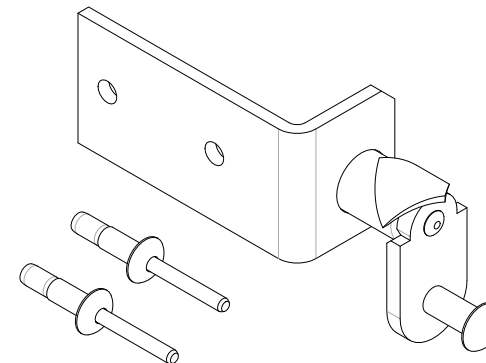
9a Set accessories



PART NR.

Set 144-10023

9b Set lock collapsible backside

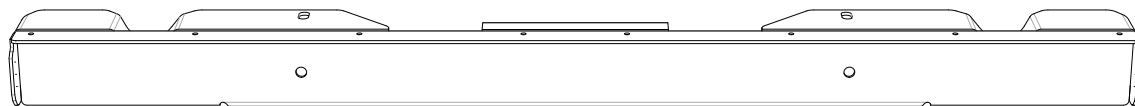


PART NR.

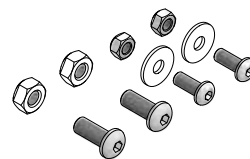
Set left 144-10008

Set right 144-10009

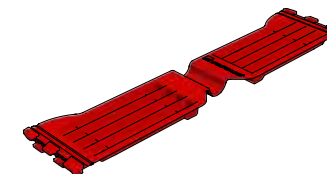
4 Back beam



| | PART NR. |
|---------------|-----------|
| SB=2550 - 80Z | 193-05031 |
| Mounting set | 144-10022 |



10 Folding plate



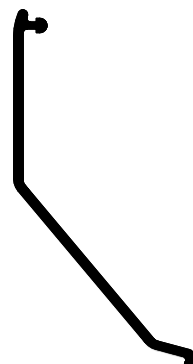
| | PART NR. |
|----------|-----------|
| Type 400 | 242-01004 |
| Type 500 | 242-01005 |
| Type 600 | 242-01006 |
| Type 700 | 242-01007 |
| Type 570 | 242-01057 |
| Type 650 | 242-01065 |

Rain strip for back beam (4)



| | PART NR. |
|---------|-----------|
| SB=2550 | 192-01601 |

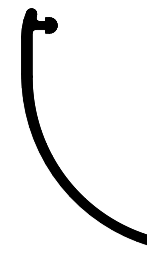
7a PVC pelmet (black)



| | PART NR. |
|---------|-----------|
| L = 9m | 242-12109 |
| L = 14m | 242-12114 |

* By sidecurtain roller 284-10002

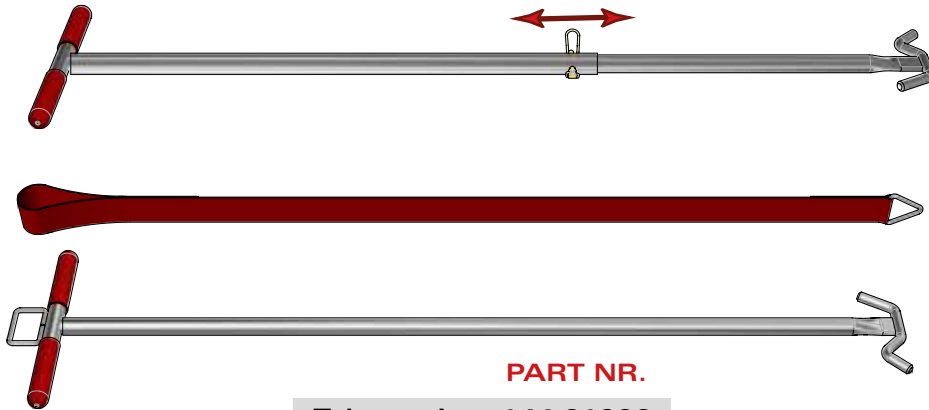
7b PVC pelmet (black)



| | PART NR. |
|---------|-----------|
| L = 9m | 242-15109 |
| L = 14m | 242-15114 |

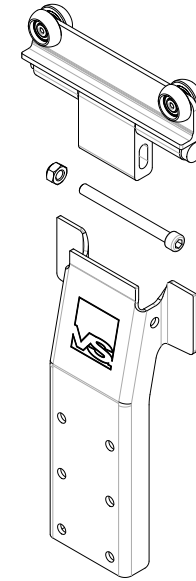
* By sidecurtain roller 284-10007

11 Pull bars & webbing



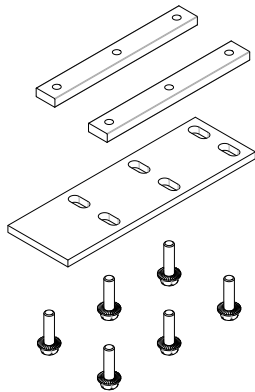
| | PART NR. |
|------------|-----------------|
| Telescopic | 144-01006 |
| Webbing | 144-01500 |
| Standard | 144-01003 |

8 Pillar bracket



| | PART NR. |
|------------|-----------------|
| Bracket | 264-01002 |
| Bolt & nut | 144-10015 |
| Plate | 262-05007 |

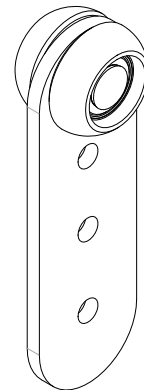
6 Set mounting plates



| PART NR. |
|-----------------|
| 154-03001 |

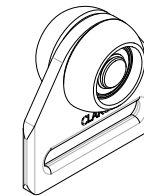
* contains 4x the parts of the picture

5a Roller



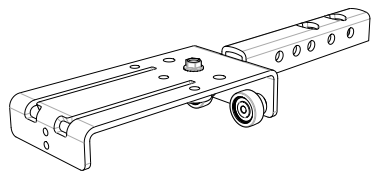
| PART NR. |
|-----------------|
| 284-10002 |

5b Roller



| PART NR. |
|-----------------|
| 284-10007 |

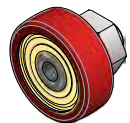
For roof sticks



Assembled bracket

PART NR.

174-04031



Roller bearing plastic

PART NR.

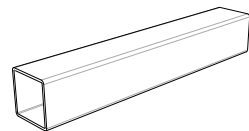
132-01001



Bolt tensilock M6x16mm

PART NR.

091-23001

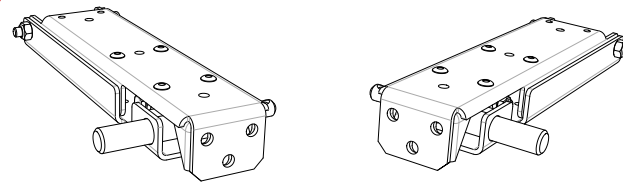


Tube 30x30x1,5mm

PART NR.

L = 2150mm 112-01003

For collapsible backside

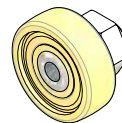


Assembled carrier

PART NR.

Left 254-01032

Right 254-01035



Roller bearing steel

PART NR.

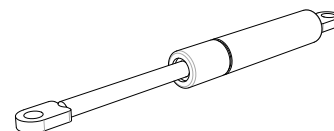
132-03001



Bolt tensilock M6x16mm

PART NR.

091-23001

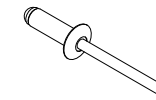


Gas spring 700N

PART NR.

302-01001

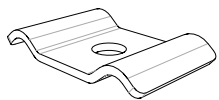
For accessories set



Rivet & washer

PART NR.

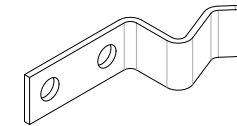
50 pieces 144-10003



Rope clamp

PART NR.

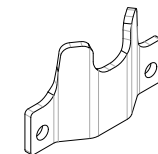
292-01001



Locking nose front

PART NR.

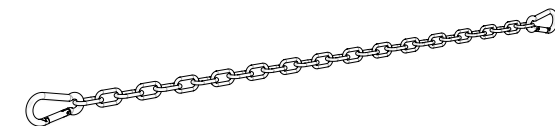
142-05013



Locking nose back

PART NR.

142-05006

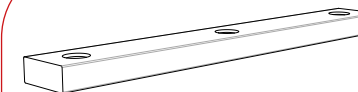


Chain with 2 hooks

PART NR.

142-07001

For mounting set



Mounting block

PART NR.

152-02001

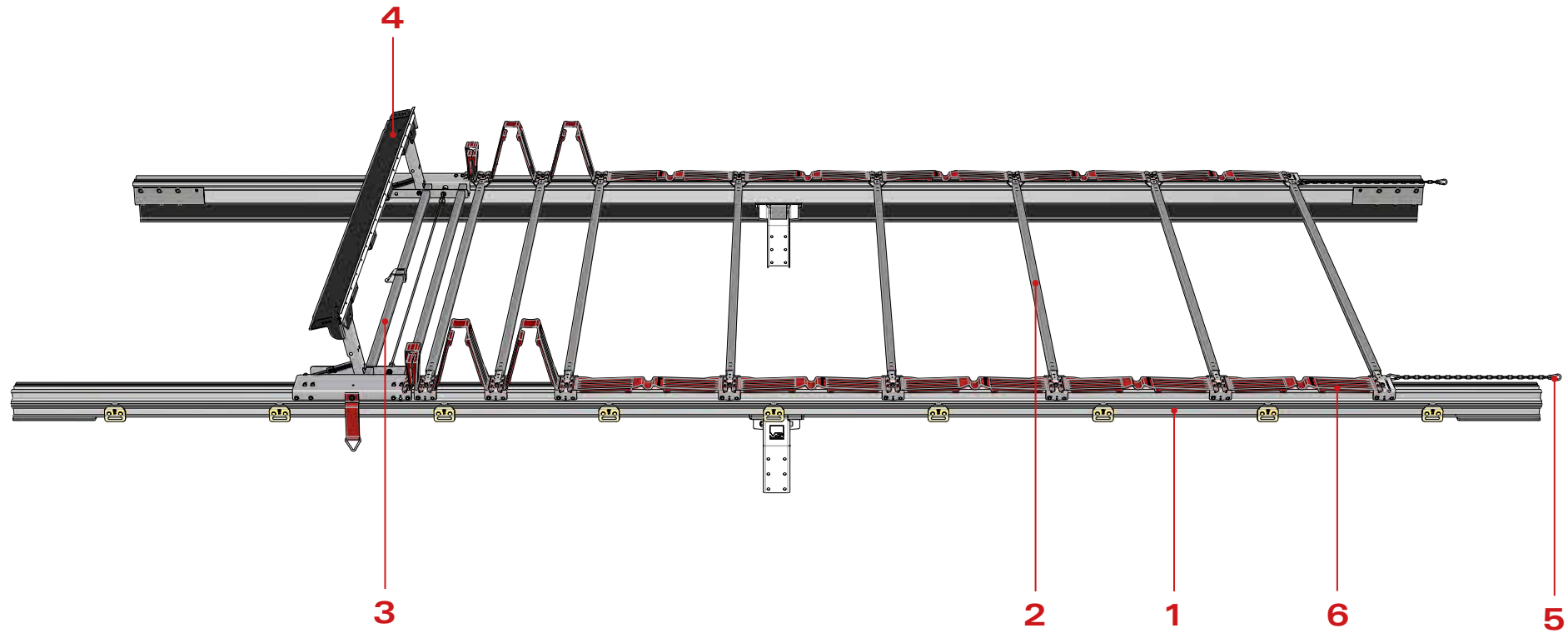


**Bolt tensilock
M10x35mm**

PART NR.

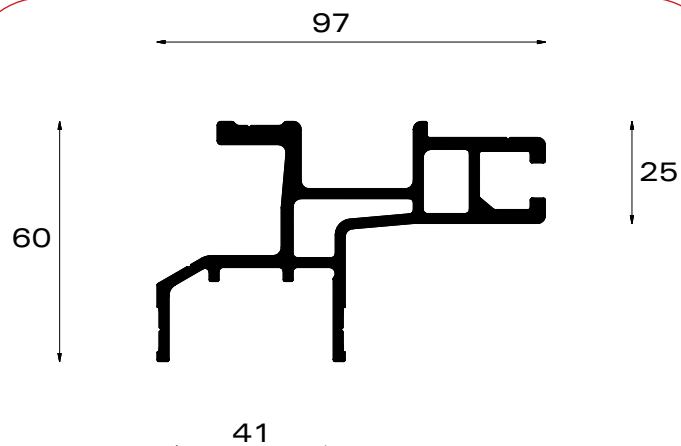
091-23002





| | | | |
|----------|----------------------|----------|-----------------------------|
| 1 | Pico rail | 5 | Set accessories |
| 2 | Roof stick | 6 | Folding plate |
| 3 | Collapsible backside | 7 | Mounting set roof stick fix |
| 4 | Back beam | 8 | Pull bar |

1 Pico rail

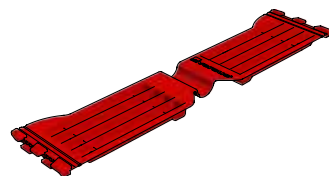


PART NR.

L = 7m 162-08700

$I_x : 21\text{cm}^4$
 $I_y : 67\text{cm}^4$
 $\pm 2,5 \text{ kg/m}$

6 Folding plate



PART NR.

| | |
|----------|-----------|
| Type 400 | 242-01004 |
| Type 500 | 242-01005 |
| Type 600 | 242-01006 |
| Type 700 | 242-01007 |
| Type 570 | 242-01057 |
| Type 650 | 242-01065 |

2a Roof stick for sliding roof



PART NR.

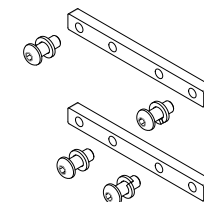
| | |
|------------------------|-----------|
| SB=2550 - Type SP | 224-01001 |
| SB=2550 - Type AS (Al) | 224-03001 |

2b Roof stick for fixed roof with polyester cover



PART NR.

| | |
|-----------------------------|-----------|
| SB=2550 - Type SP | 224-01101 |
| SB=2550 - Type AS (Al) | 224-03101 |
| Mounting set roof stick fix | 144-10048 |



* Roof stick screwed to rail with bolts

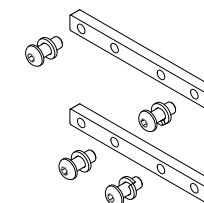
* 1 set/roof stick

2c Roof stick for fixed roof with tarpaulin cover



PART NR.

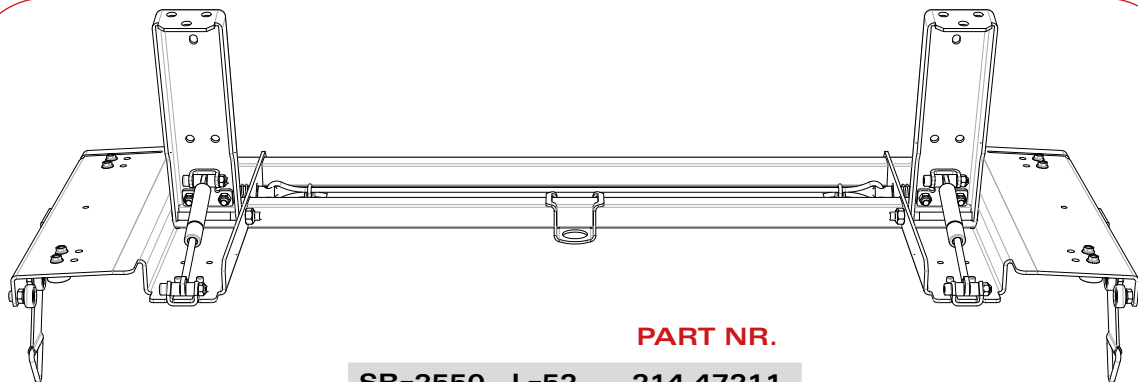
| | |
|-----------------------------|-----------|
| SB=2550 - Type SP | 224-01211 |
| SB=2550 - Type AS (Al) | 224-03211 |
| Mounting set roof stick fix | 144-10048 |



* Roof stick screwed to rail with bolts

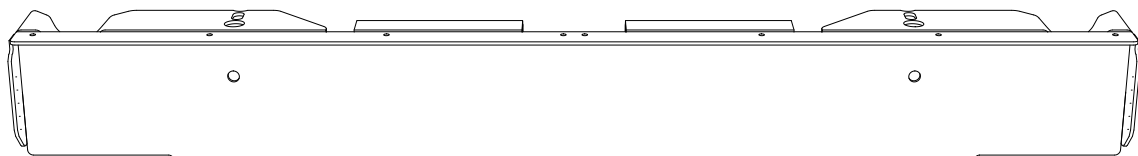
* 1 set/roof stick

3 Collapsible backside

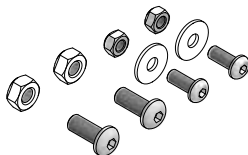


PART NR.
SB=2550 - L=52 214-47211

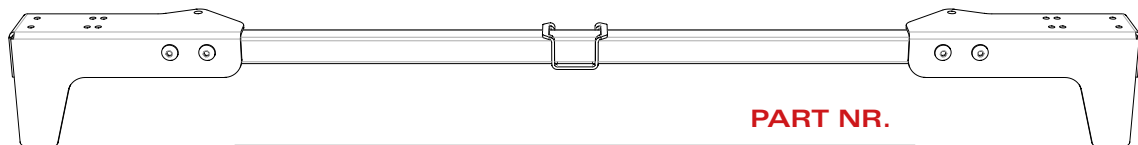
4a Back beam



PART NR.
SB=2550 - 125Z 193-11001
Mounting set 144-10022

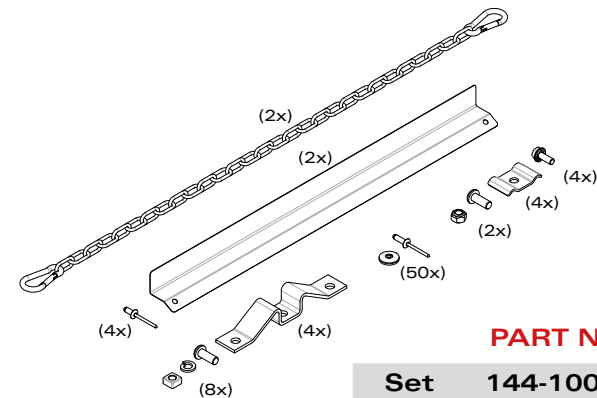


4b Back beam



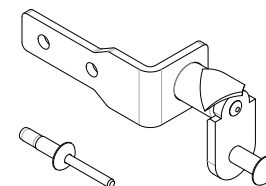
PART NR.
Set back beam tube 30x30mm 144-10037
Tube 30x30x2mm 112-07001

5a Set accessories



PART NR.
Set 144-10001

5b Set lock collapsible backside



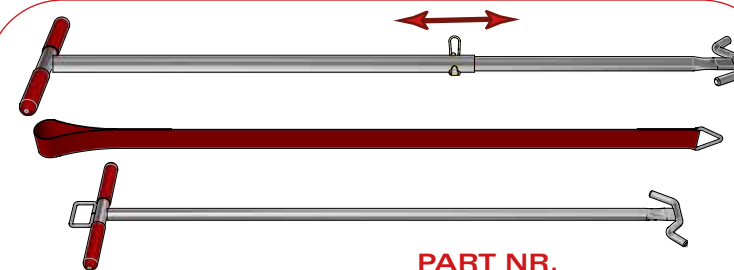
PART NR.
Set 144-10086

5c Set accessories external unlocking



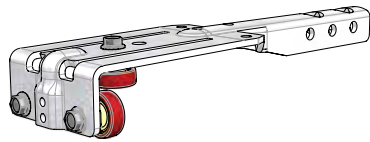
PART NR.
Set 144-10174

8 Pull bars & webbing



PART NR.
Telescopic 144-01006
Webbing 144-01500
Standard 144-01003

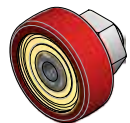
For roof sticks



Assembled bracket

PART NR.

174-02001



Roller bearing plastic

PART NR.

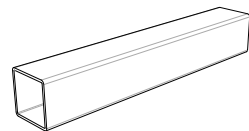
132-01001



Bolt tensilock M6x16mm

PART NR.

091-23001

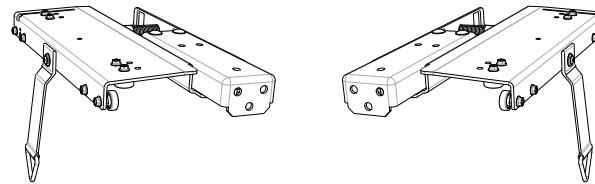


Tube 30x30x1,5mm

PART NR.

L = 2185mm 112-01003

For collapsible backside

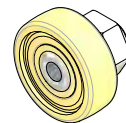


Assembled carrier

PART NR.

Left 204-47211

Right 204-47212



Roller bearing steel

PART NR.

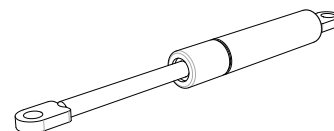
132-03001



Bolt tensilock M6x16mm

PART NR.

091-23001

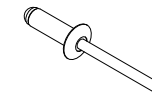


Gas spring 700N

PART NR.

302-01001

For accessories set



Rivet & washer

PART NR.

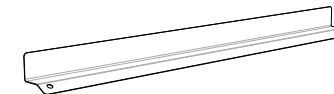
50 pieces 144-10003



Rope clamp

PART NR.

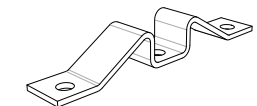
292-01001



Protection plate

PART NR.

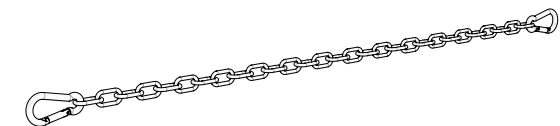
142-06006



Locking nose

PART NR.

142-05002

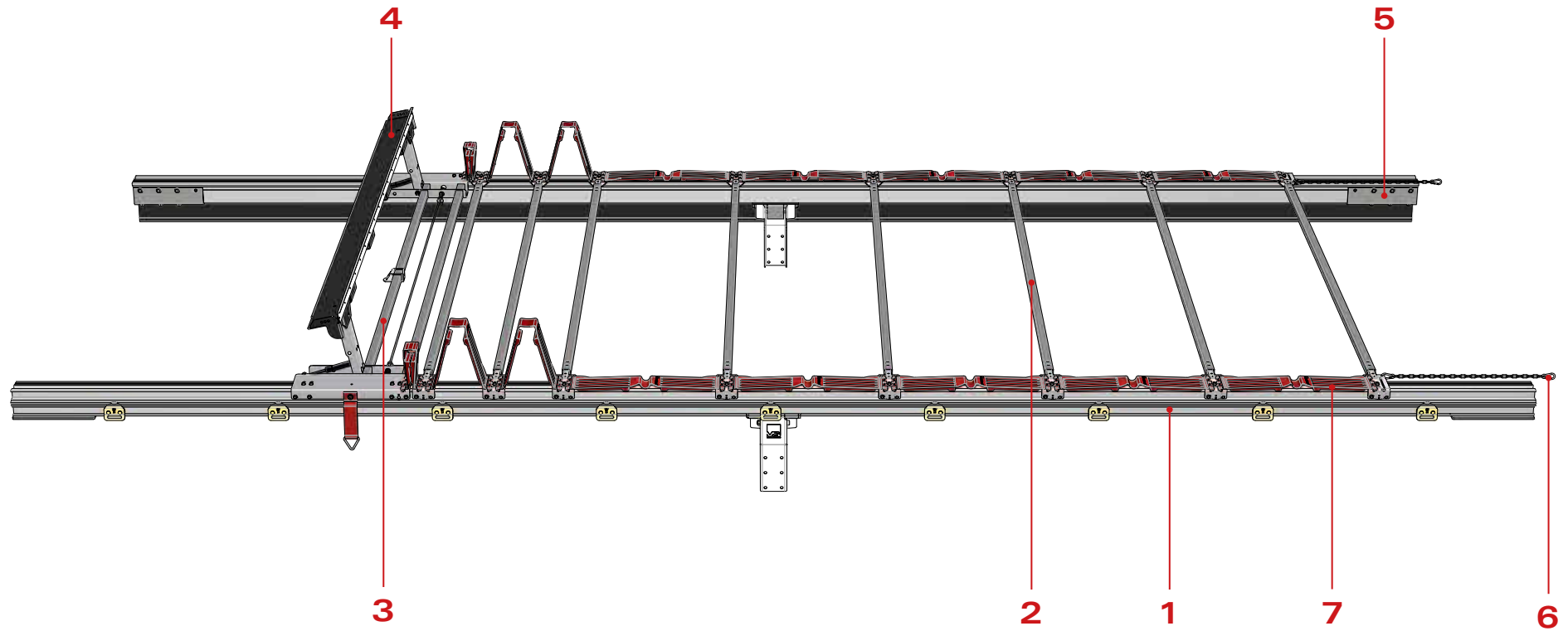


Chain with 2 hooks

PART NR.

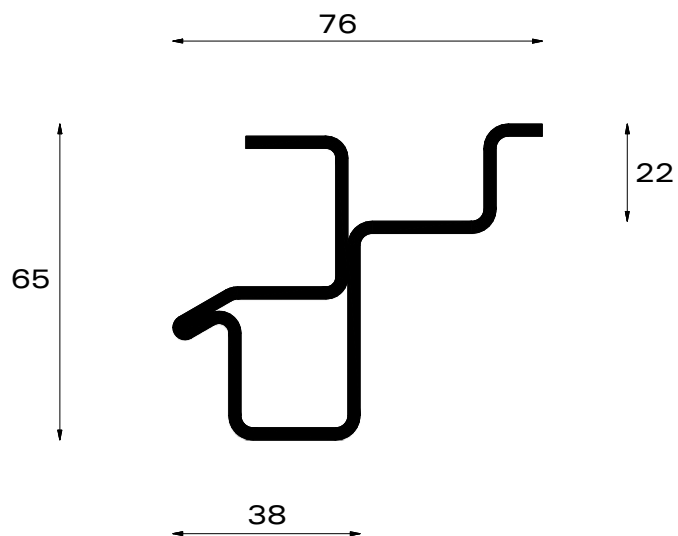
142-07001





| | | | |
|----------|----------------------|----------|---------------------|
| 1 | Ferro rail | 5 | Set mounting plates |
| 2 | Roof stick | 6 | Set accessories |
| 3 | Collapsible backside | 7 | Folding plate |
| 4 | Back beam | 8 | Pull bar |

1 Ferro rail SS



PART NR.

L = 7m 162-09700

lx : 22cm⁴
ly : 20cm⁴
± 4,6 kg/m

2 Roof stick for sliding roof

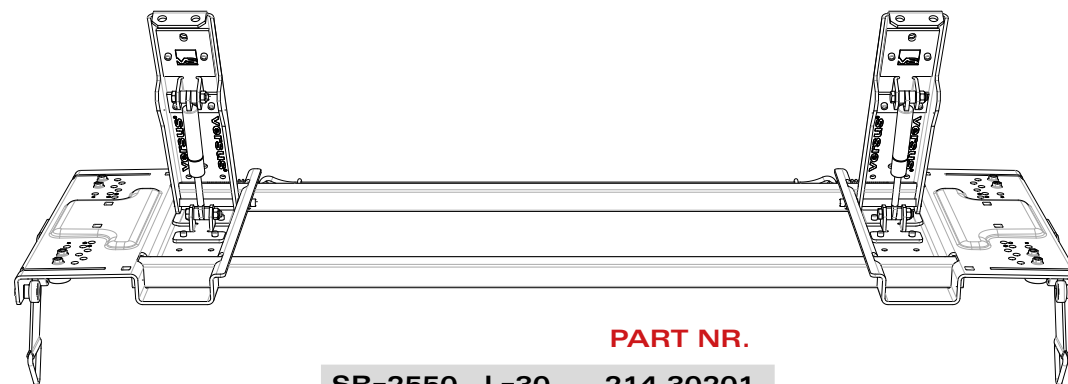


PART NR.

SB=2550 - Type SP 224-30001

SB=2550 - Type AS (Al) 224-33001

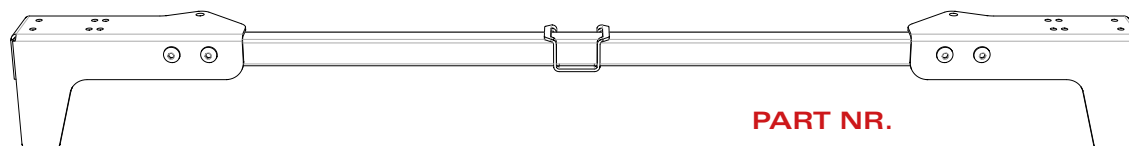
3 Collapsible backside



PART NR.

SB=2550 - L=30 214-30201

4 Back beam

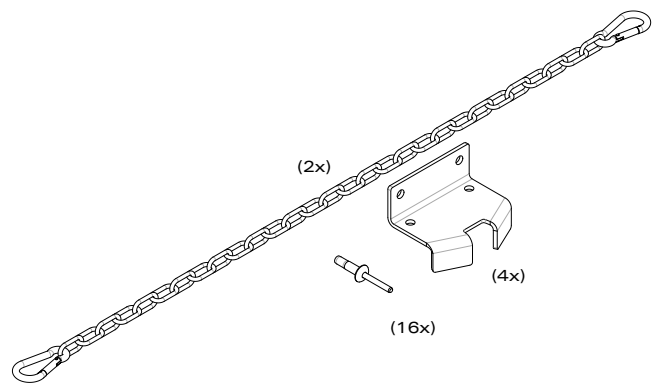


PART NR.

Set back beam tube 30x30mm 144-10037

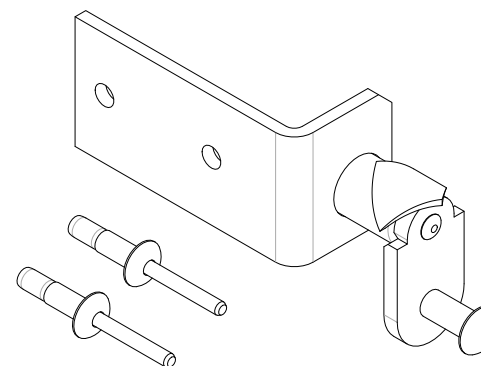
Tube 30x30x2mm 112-07001

6a Set accessories



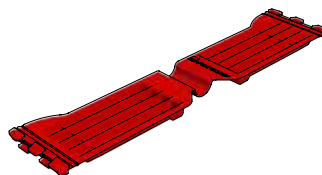
| PART NR. | |
|----------|-----------|
| Set | 144-10034 |

6b Set lock collapsible backside



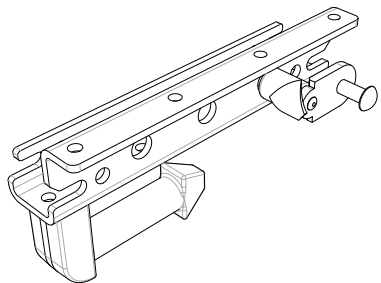
| PART NR. | |
|-----------|-----------|
| Set left | 144-10008 |
| Set right | 144-10009 |

7 Folding plate



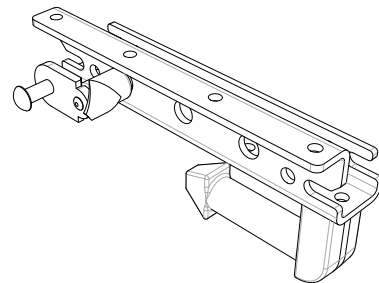
| PART NR. | |
|----------|-----------|
| Type 400 | 242-01004 |
| Type 500 | 242-01005 |
| Type 600 | 242-01006 |
| Type 700 | 242-01007 |
| Type 570 | 242-01057 |
| Type 650 | 242-01065 |

Connection sets



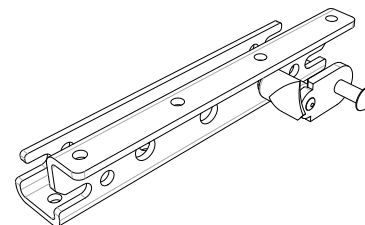
PART NR.

Left 153-30001



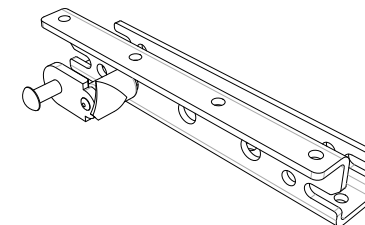
PART NR.

Right 153-30002



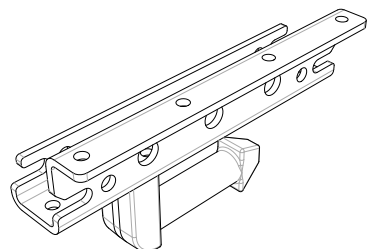
PART NR.

Left 153-30008



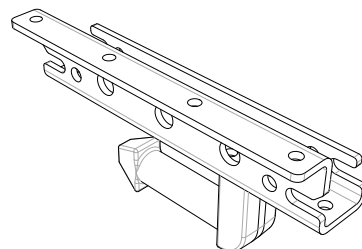
PART NR.

Right 153-30009



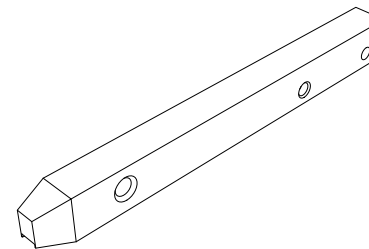
PART NR.

Left 153-30008



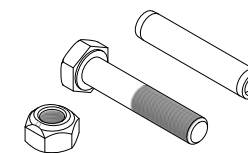
PART NR.

Right 153-30009



PART NR.

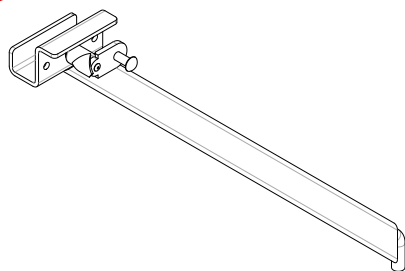
Pin 152-30003



PART NR.

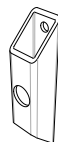
Set 144-10059

Support



PART NR.

Left 153-05001

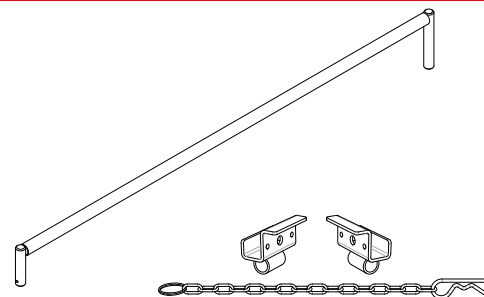


PART NR.

152-05001

Right 153-05002

Stabilizing bar

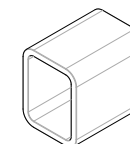


PART NR.

Bar 2550 153-04001

Set 144-10050

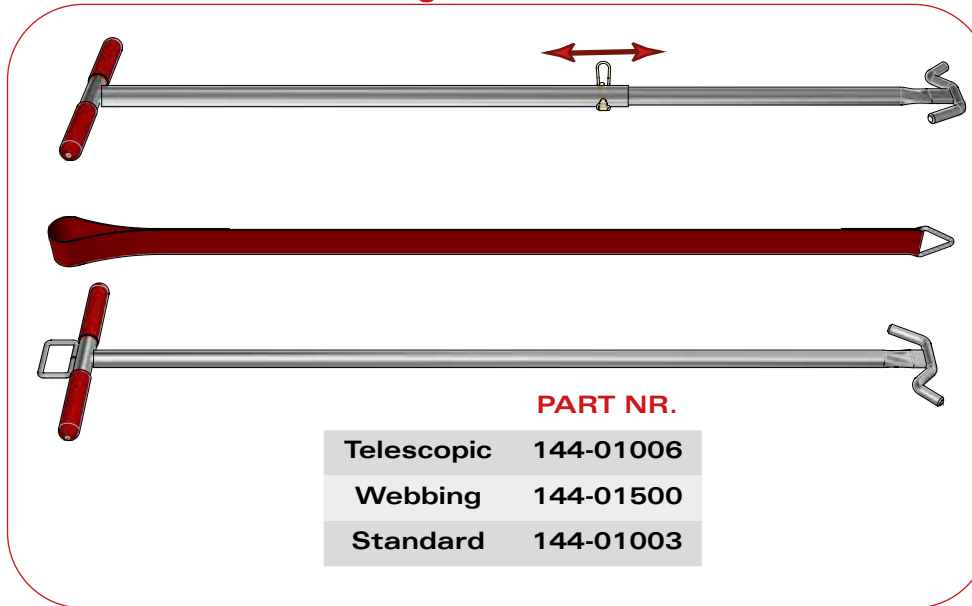
Pillar adapter



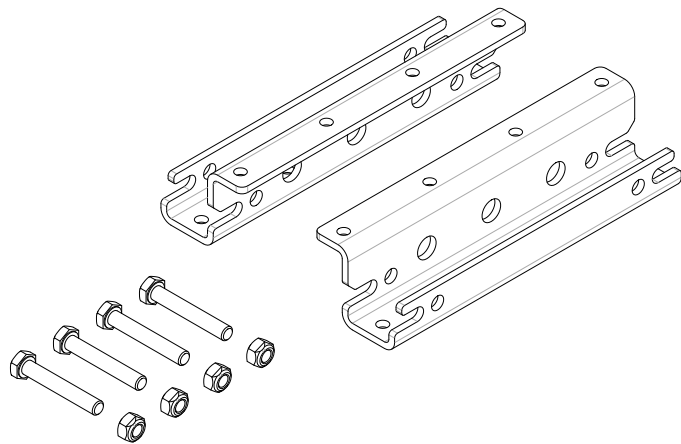
PART NR.

262-30001

8 Pull bars & webbing

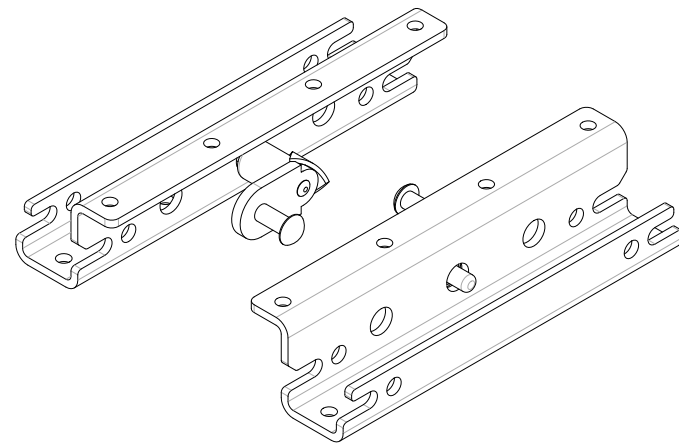


5a Set mounting plates front



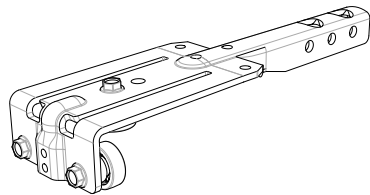
PART NR.
144-10036

5b Set mounting plates rear



PART NR.
153-30005

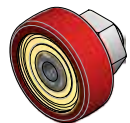
For roof sticks



Assembled bracket

PART NR.

174-30001



Roller bearing plastic

PART NR.

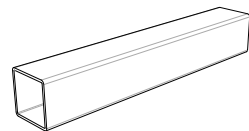
132-01001



Bolt tensilock M6x16mm

PART NR.

091-23001

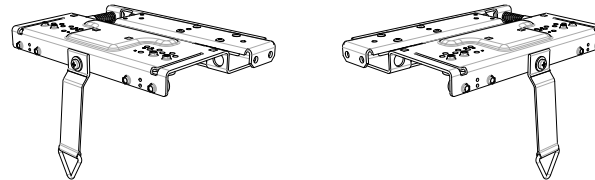


Tube 30x30x1,5mm

PART NR.

L = 2185mm 112-01003

For collapsible backside

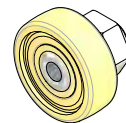


Assembled carrier

PART NR.

Left 204-30201

Right 204-30202



Roller bearing steel

PART NR.

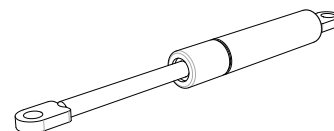
132-03001



Bolt tensilock M6x16mm

PART NR.

091-23001

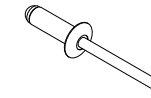


Gas spring 700N

PART NR.

302-01001

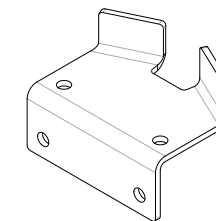
For accessories set



Rivet

PART NR.

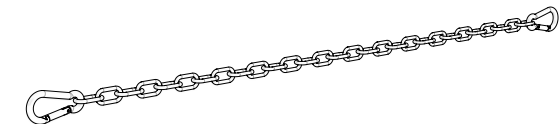
091-01001



Locking nose

PART NR.

142-05011



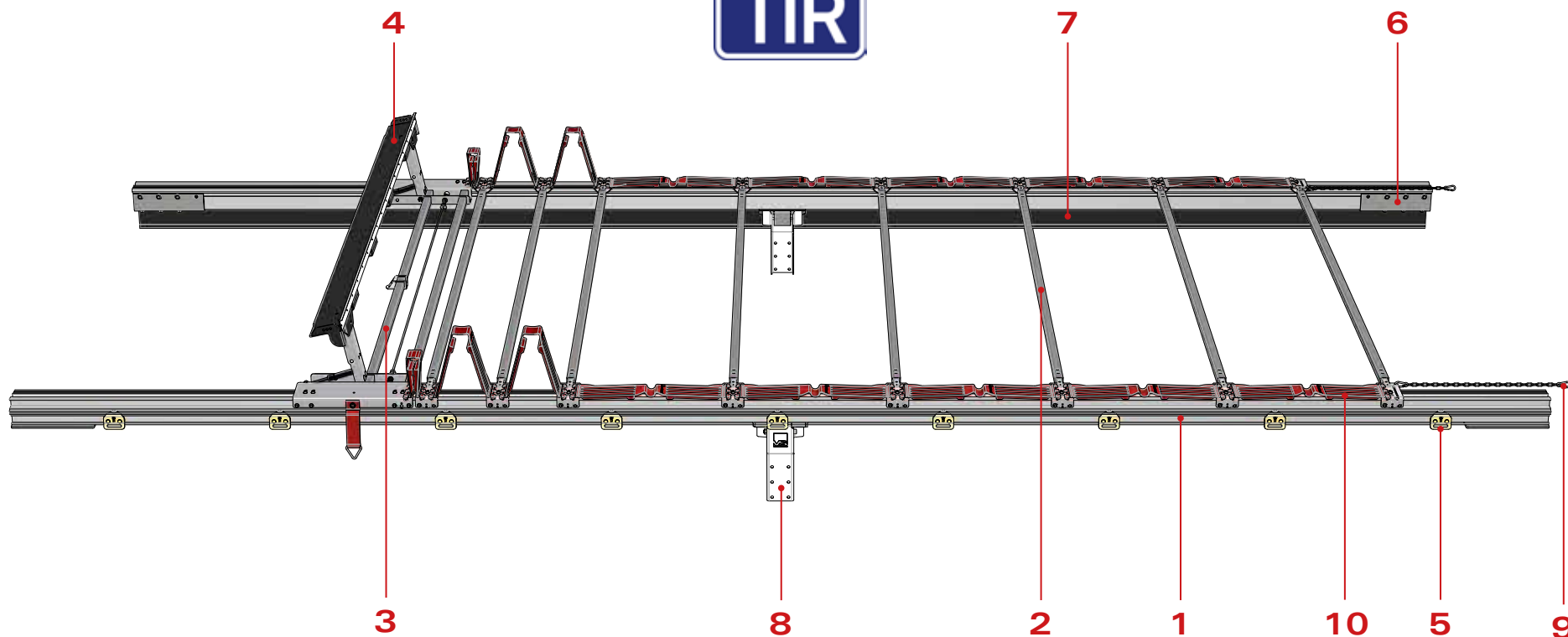
Chain with 2 hooks

PART NR.

142-07001



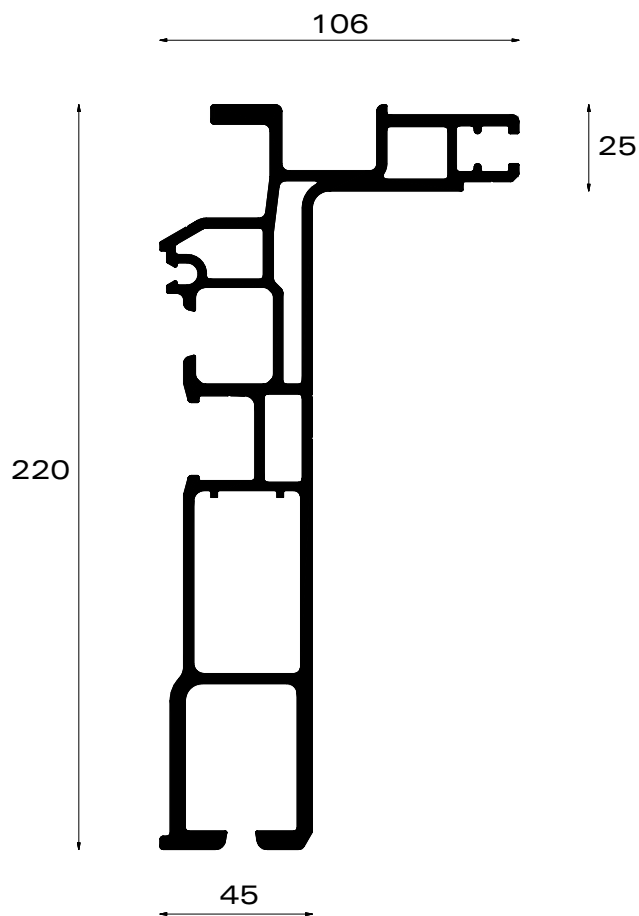
TIR



| | |
|----------|----------------------|
| 1 | Euro rail |
| 2 | Roof stick |
| 3 | Collapsible backside |
| 4 | Back beam |
| 5 | Roller |
| 6 | Set mounting plates |

| | |
|-----------|-----------------|
| 7 | PVC pelmet |
| 8 | Pillar bracket |
| 9 | Set accessories |
| 10 | Folding plate |
| 11 | Carapax plate |
| 12 | Pull bar |

1 Euro rail



PART NR.

| | |
|---------------------------|-----------|
| L = 8,5m | 162-21850 |
| * L = 13,6m | 162-21136 |
| *profile with pre-bending | |
| Ix : 1428cm ⁴ | |
| Iy : 167cm ⁴ | |
| ± 7,5 kg/m | |

2a Roof stick for sliding roof



PART NR.

| | |
|------------------------------|-----------|
| SB=2550 - Type SP | 224-01001 |
| SB=2550 - Type AS (Al) | 224-03001 |
| SB=2550 - Type SP (TIR) | 224-70001 |
| SB=2550 - Type AS (Al) (TIR) | 224-73001 |

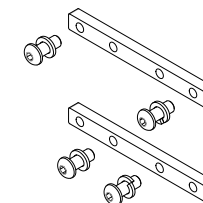


2b Roof stick for fixed roof with polyester cover



PART NR.

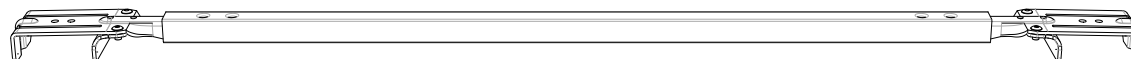
| | |
|-----------------------------|-----------|
| SB=2550 - Type SP | 224-21101 |
| SB=2550 - Type AS (Al) | 224-23101 |
| Mounting set roof stick fix | 144-10048 |



* Roof stick screwed to rail with bolts

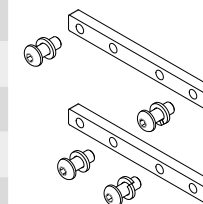
* 1 set/roof stick

2c Roof stick for fixed roof with tarpaulin cover



PART NR.

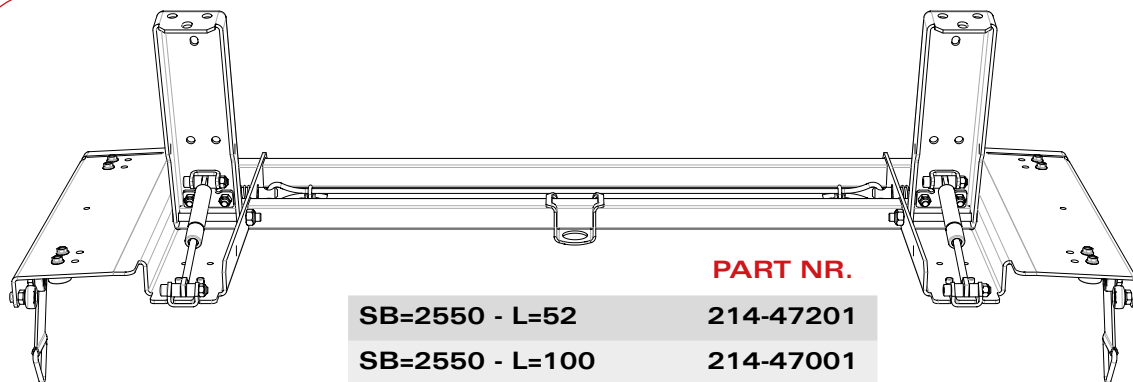
| | |
|------------------------------|-----------|
| SB=2550 - Type SP | 224-21211 |
| SB=2550 - Type AS (Al) | 224-23211 |
| SB=2550 - Type SP (TIR) | 224-70211 |
| SB=2550 - Type AS (Al) (TIR) | 224-73211 |
| Mounting set roof stick fix | 144-10048 |



* Roof stick screwed to rail with bolts

* 1 set/roof stick

3a Collapsible backside

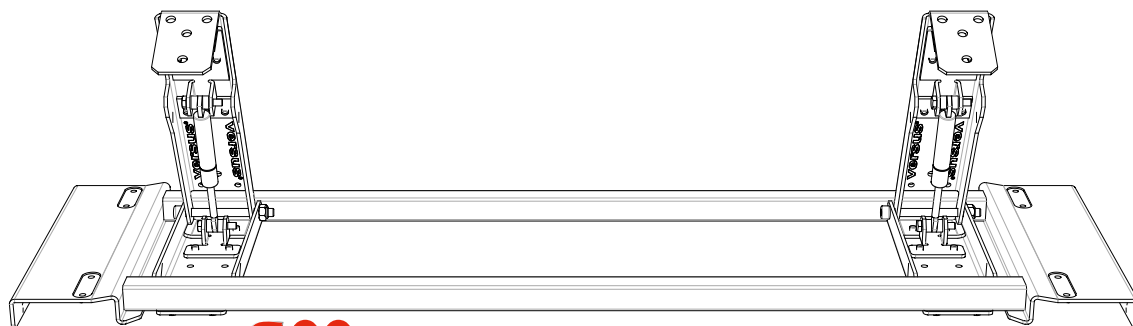


PART NR.

| | |
|-----------------------|-----------|
| SB=2550 - L=52 | 214-47201 |
| SB=2550 - L=100 | 214-47001 |
| SB=2550 - L=52 (TIR) | 214-77201 |
| SB=2550 - L=100 (TIR) | 214-77001 |



3b Collapsible backside for fixed roof with tarpaulin cover



PART NR.

| | |
|-----------------|-----------|
| SB=2550 - L=100 | 324-47001 |
|-----------------|-----------|



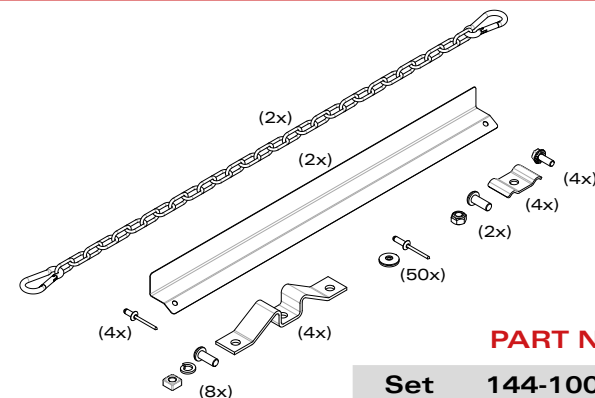
Front header



PART NR.

| | |
|---------|-----------|
| SB=2550 | 234-21001 |
|---------|-----------|

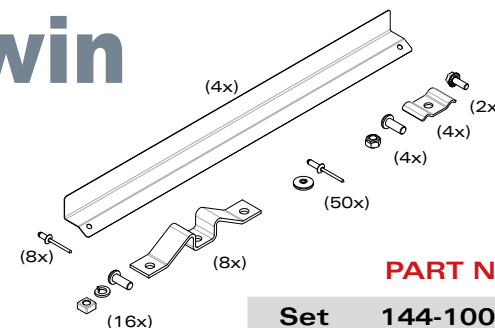
9a Set accessories



PART NR.

| | |
|-----|-----------|
| Set | 144-10001 |
|-----|-----------|

9b Set accessories Twin

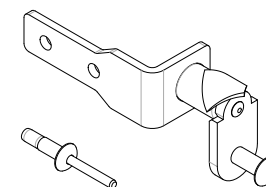


PART NR.

| | |
|-----|-----------|
| Set | 144-10018 |
|-----|-----------|

* Euro Twin sliding roof: this set replaces the basic set accessories (144-10001)!

9c Set lock collapsible backside



PART NR.

| | |
|-----|-----------|
| Set | 144-10086 |
|-----|-----------|

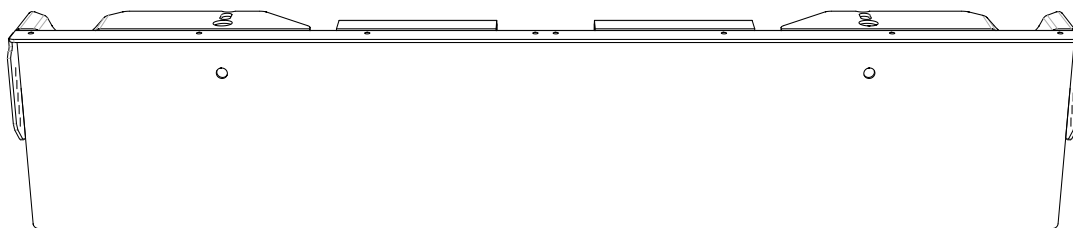
9d Set accessories external unlocking



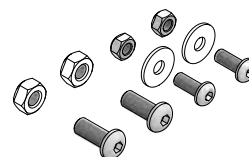
PART NR.

| | |
|-----|-----------|
| Set | 144-10174 |
|-----|-----------|

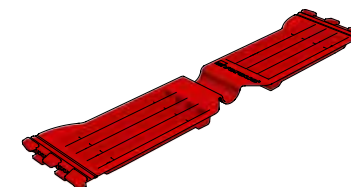
4a Back beam



| | PART NR. |
|----------------|-----------|
| SB=2550 - 208Z | 193-18001 |
| Mounting set | 144-10022 |

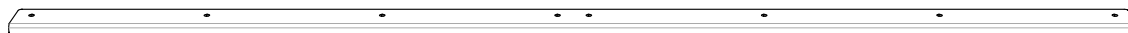


10 Folding plate



| | PART NR. |
|----------|-----------|
| Type 400 | 242-01004 |
| Type 500 | 242-01005 |
| Type 600 | 242-01006 |
| Type 700 | 242-01007 |
| Type 570 | 242-01057 |
| Type 650 | 242-01065 |

Rain strip for back beam (4a)



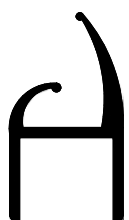
| | PART NR. |
|---------|-----------|
| SB=2550 | 192-01601 |

7 PVC pelmet (black)



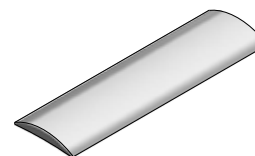
| | PART NR. |
|---------|-----------|
| L = 9m | 242-13109 |
| L = 14m | 242-13114 |

Rain strip for front header

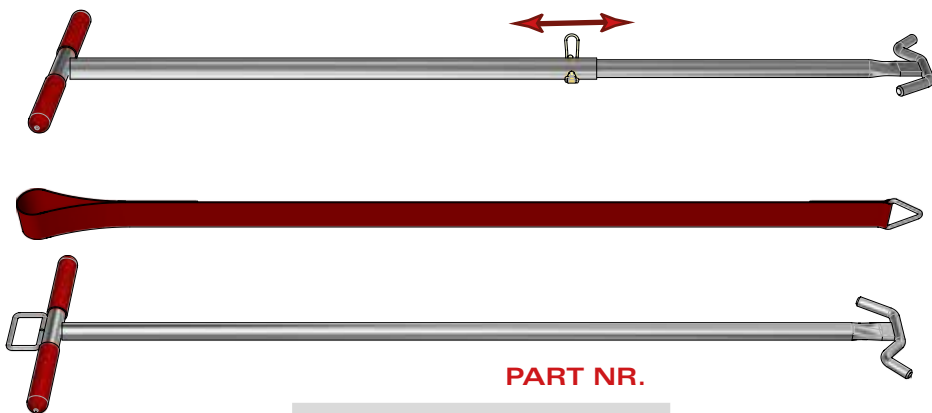


ttwin

| | PART NR. |
|--------------------------------|-----------|
| Rain strip SB=2550 | 192-01606 |
| PVC pelmet L = 2,6m (black) | 242-20001 |
| Mounting strip 30x5mm L = 2,6m | 292-07001 |



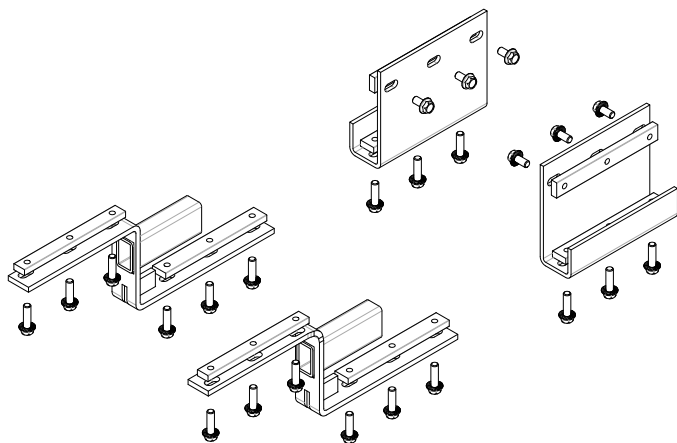
12 Pull bars & webbing



PART NR.

| | |
|------------|-----------|
| Telescopic | 144-01006 |
| Webbing | 144-01500 |
| Standard | 144-01003 |

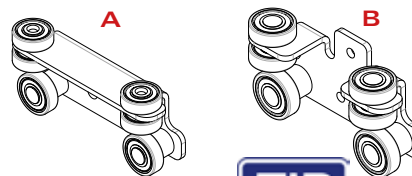
6 Set mounting plates



PART NR.

154-03009

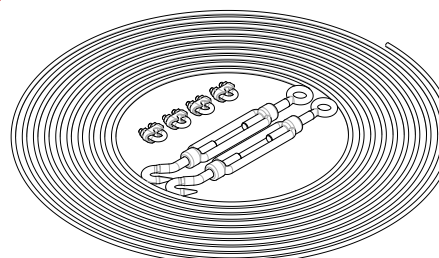
5 Sidecurtain roller



PART NR.

| | |
|------------|-----------|
| A Standard | 284-10001 |
| B TIR | 284-10022 |

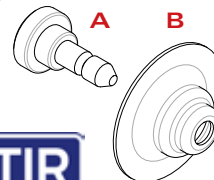
TIR - set



PART NR.

144-10099

TIR - pin & shell

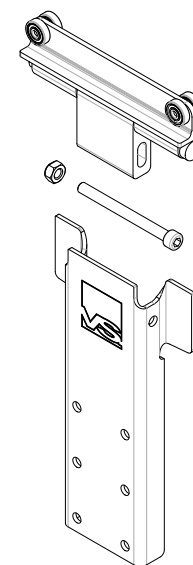


* 2 / roof stick

PART NR.

| | |
|---|-----------|
| A | 292-70002 |
| B | 292-70007 |

8 Pillar bracket



PART NR.

| | |
|------------|-----------|
| Bracket | 264-01001 |
| Bolt & nut | 144-10015 |
| Plate | 262-05006 |

11 Carapax plate

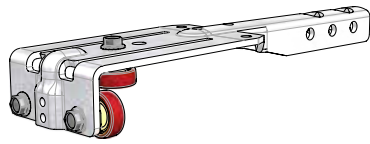


PART NR.

291-03004

* only needed for roof with Carapax cover

For roof sticks



Assembled bracket

PART NR.

174-02001



Roller bearing plastic

PART NR.

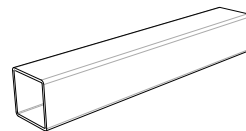
132-01001



Bolt tensilock M6x16mm

PART NR.

091-23001

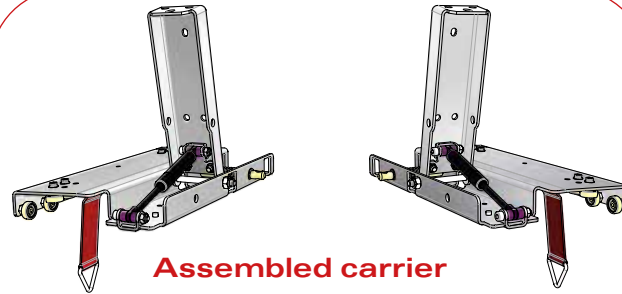


Tube 30x30x1,5mm

PART NR.

L = 2185mm 112-01003

For collapsible backside

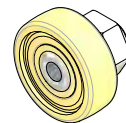


Assembled carrier

PART NR.

Left 204-47201

Right 204-47202



Roller bearing steel

PART NR.

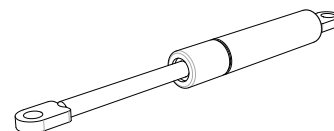
132-03001



Bolt tensilock M6x16mm

PART NR.

091-23001

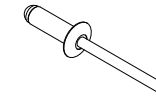


Gas spring 700N

PART NR.

302-01001

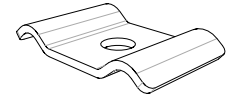
For accessories set



Rivet & washer

PART NR.

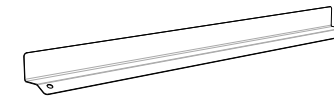
50 pieces 144-10003



Rope clamp

PART NR.

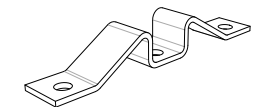
292-01001



Protection plate

PART NR.

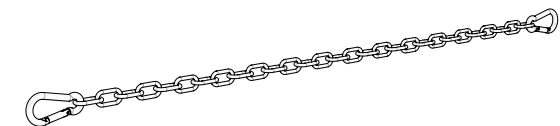
142-06006



Locking nose

PART NR.

142-05002

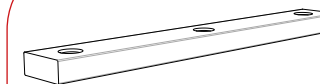


Chain with 2 hooks

PART NR.

142-07001

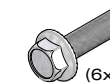
For mounting set



Mounting block
PART NR.

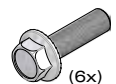
25x10 152-02001

20x10 152-02006



Bolt tensilock
M10x20mm
PART NR.

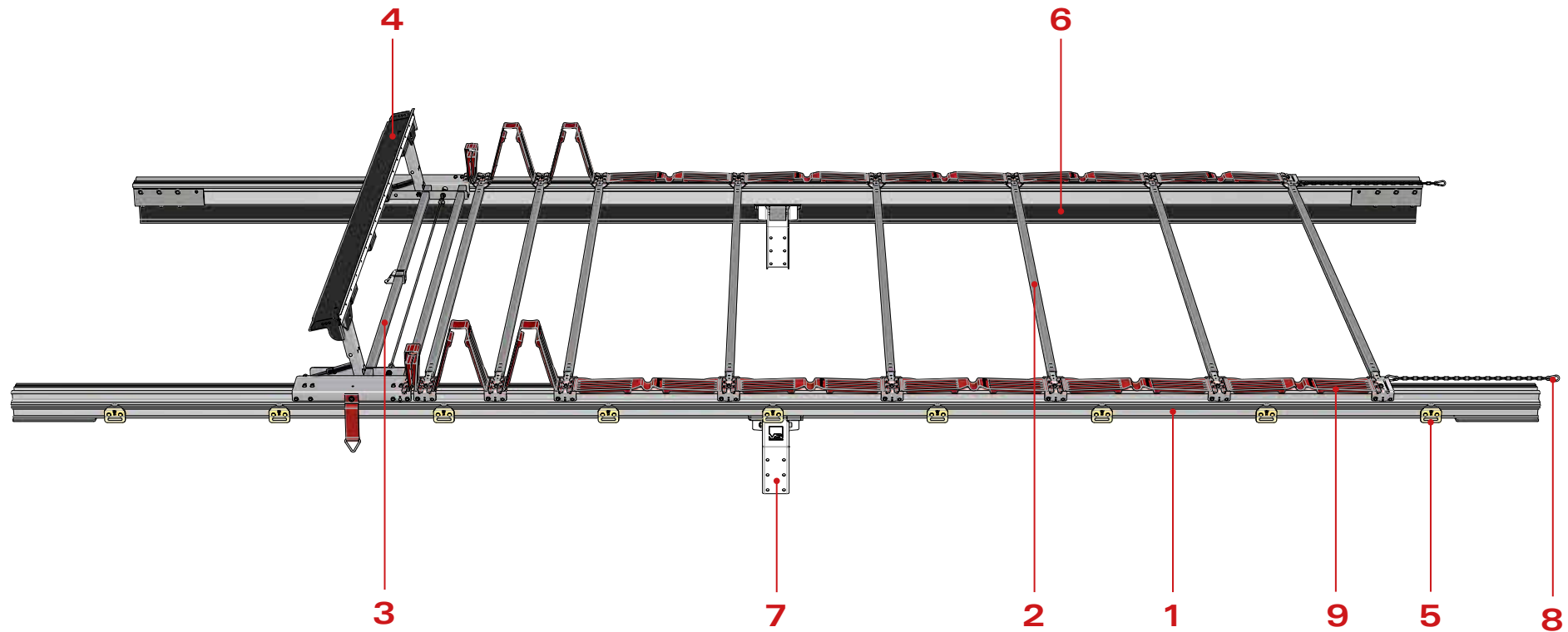
091-23004



Bolt tensilock
M10x35mm
PART NR.

091-23002

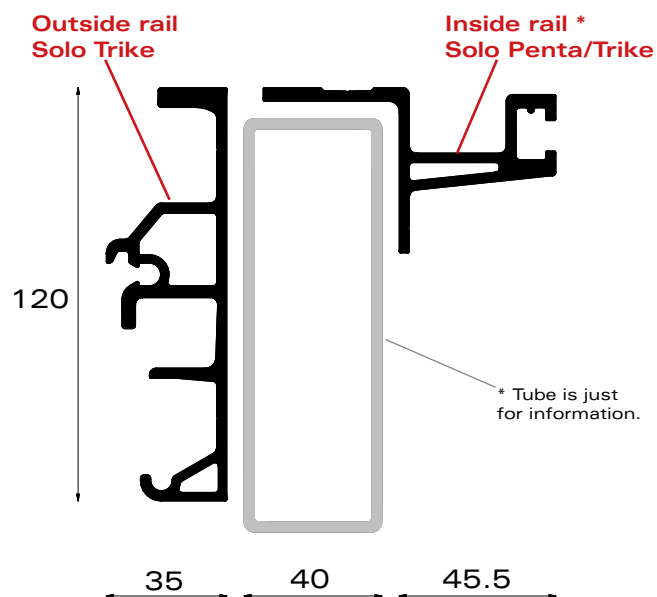




| | |
|----------|----------------------|
| 1 | Solo rails |
| 2 | Roof stick |
| 3 | Collapsible backside |
| 4 | Back beam |
| 5 | Trike roller |
| 6 | PVC pelmet |

| | |
|-----------|-----------------|
| 7 | Pillar bracket |
| 8 | Set accessories |
| 9 | Folding plate |
| 10 | Carapax plate |
| 11 | Pull bar |

1 Solo rails



PART NR.

| | |
|---------------------|-----------|
| Rail (out) L = 7,8m | 162-42780 |
| Rail (out) L = 8,5m | 162-42850 |
| Rail (in) L = 7,8m | 162-43780 |
| Rail (in) L = 8,5m | 162-43850 |

Outside rail Solo Trike

lx : 119cm⁴
ly : 9cm⁴
± 2,5 kg/m

Inside rail Solo

lx : 9cm⁴
ly : 33cm⁴
± 1,8 kg/m

* Inside rail serves for Solo Penta and Solo Trike

2a Roof stick for sliding roof



PART NR.

| | |
|------------------------|-----------|
| SB=2550 - Type SP | 224-39001 |
| SB=2550 - Type AS (Al) | 224-39021 |

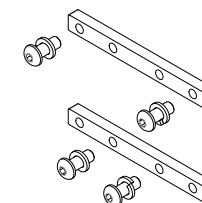
2b Roof stick for fixed roof with polyester cover



PART NR.



| | |
|-----------------------------|-----------|
| SB=2550 - Type SP | 224-39101 |
| SB=2550 - Type AS (Al) | 224-39121 |
| Mounting set roof stick fix | 144-10049 |



* Roof stick screwed to rail with bolts

* 1 set/roof stick

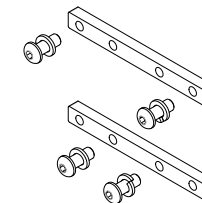
2c Roof stick for fixed roof with tarpaulin cover



PART NR.



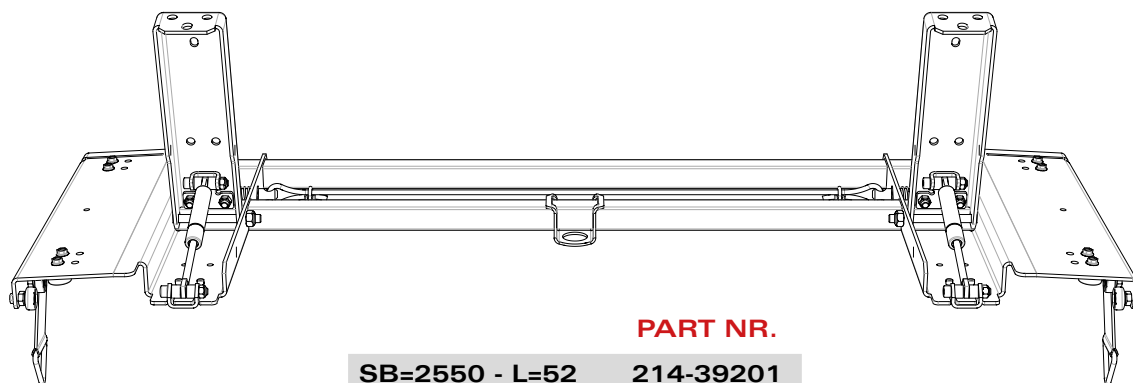
| | |
|-----------------------------|-----------|
| SB=2550 - Type SP | 224-39201 |
| SB=2550 - Type AS (Al) | 224-39221 |
| Mounting set roof stick fix | 144-10049 |



* Roof stick screwed to rail with bolts

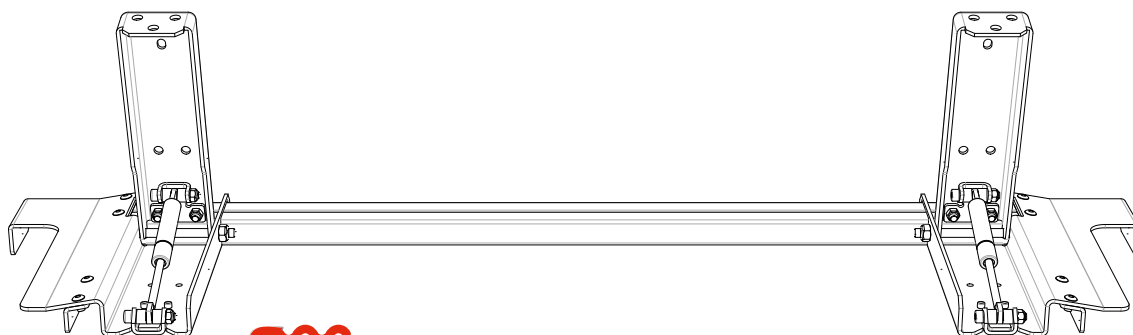
* 1 set/roof stick

3a Collapsible backside



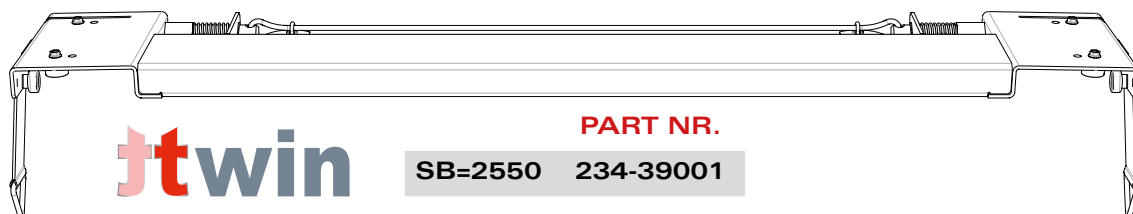
PART NR.
SB=2550 - L=52 214-39201

3b Collapsible backside for fixed roof with tarpaulin cover



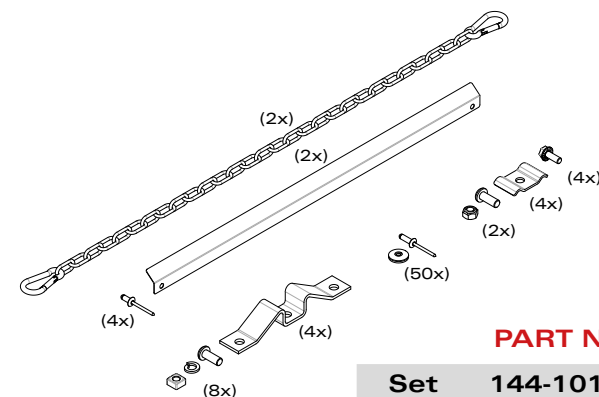
PART NR.
SB=2550 - L=100 324-39201

Front header



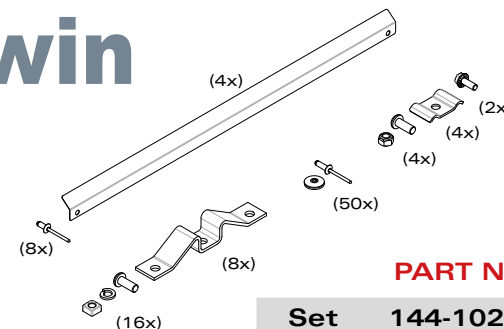
PART NR.
SB=2550 234-39001

9a Set accessories



PART NR.
Set 144-10148

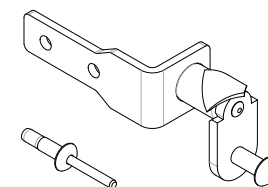
9b Set accessories Twin



PART NR.
Set 144-10248

* Solo Trike Twin sliding roof: this set replaces the basic set accessories (144-10001)!

9c Set lock collapsible backside



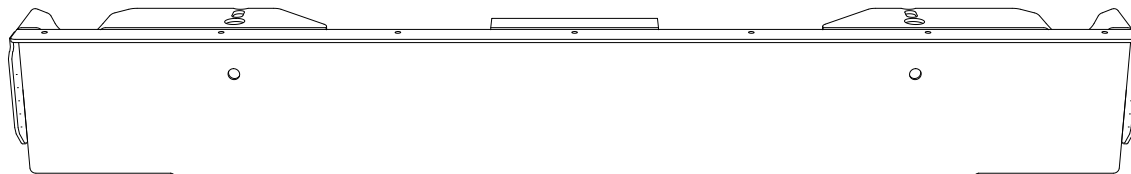
PART NR.
Set 144-10086

9d Set accessories external unlocking

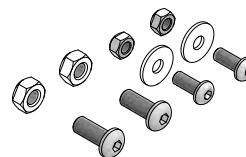


PART NR.
Set 144-10174

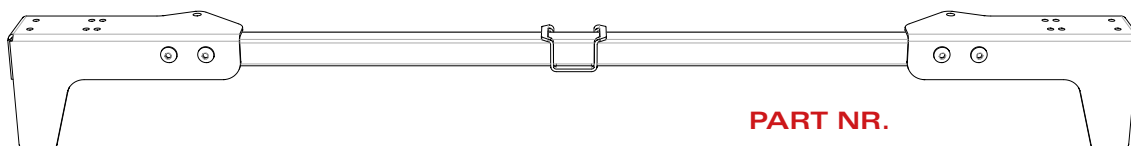
4a Back beam



| | PART NR. |
|----------------|-----------|
| SB=2550 - 145Z | 193-39001 |
| Mounting set | 144-10022 |

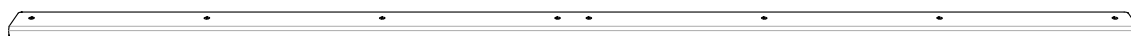


4b Back beam



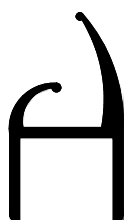
| | PART NR. |
|----------------------------|-----------|
| Set back beam tube 30x30mm | 144-10037 |
| Tube 30x30x2mm | 112-39001 |

Rain strip for back beam (4a)



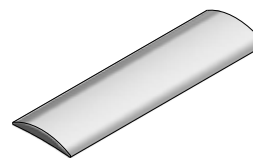
| | PART NR. |
|---------|-----------|
| SB=2550 | 192-01601 |

Rain strip for front header

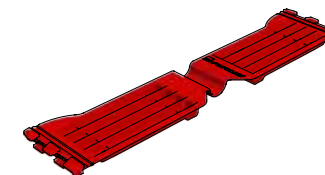


ttwin

| | PART NR. |
|--------------------------------|-----------|
| Rain strip SB=2550 | 192-01606 |
| PVC pelmet L = 2,6m (black) | 242-20001 |
| Mounting strip 30x5mm L = 2,6m | 292-07001 |

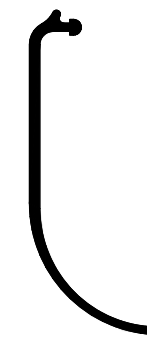


9 Folding plate



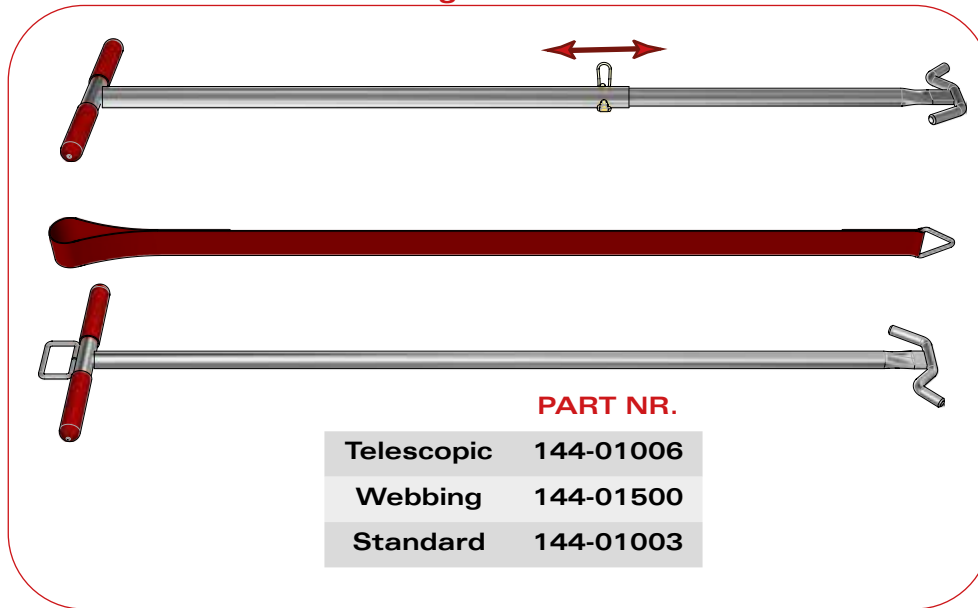
| | PART NR. |
|----------|-----------|
| Type 400 | 242-01004 |
| Type 500 | 242-01005 |
| Type 600 | 242-01006 |
| Type 700 | 242-01007 |
| Type 570 | 242-01057 |
| Type 650 | 242-01065 |

6 PVC pelmet (black)

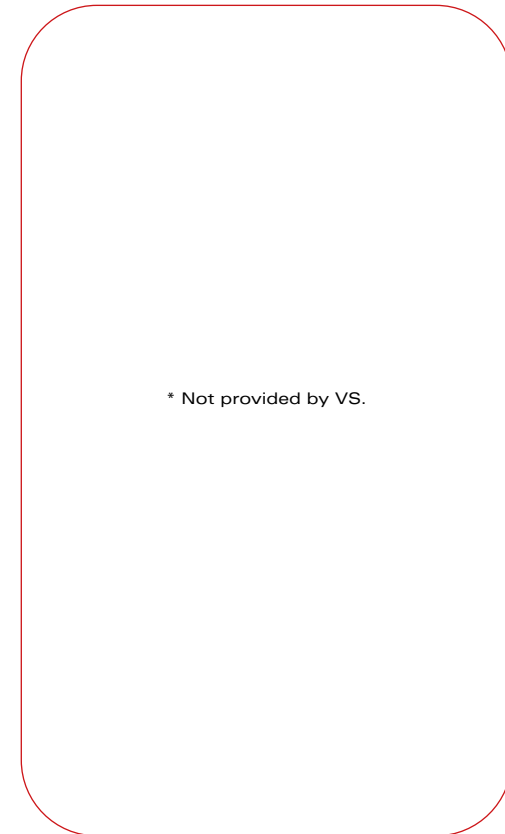


| | PART NR. |
|---------|-----------|
| L = 9m | 242-02109 |
| L = 14m | 242-02114 |

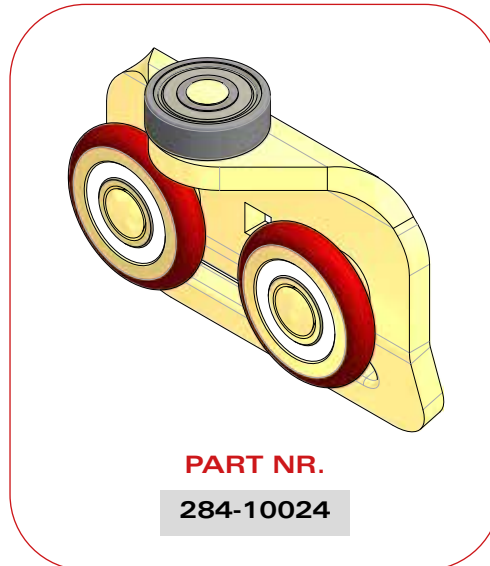
11 Pull bars & webbing



7 Pillar bracket



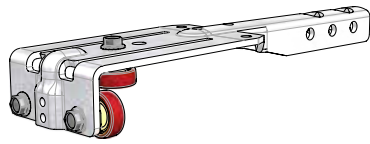
5 Trike roller



10 Carapax plate



For roof sticks



Assembled bracket

PART NR.

174-39001



Roller bearing plastic

PART NR.

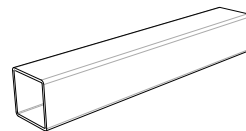
132-01001



Bolt tensilock M6x16mm

PART NR.

091-23001

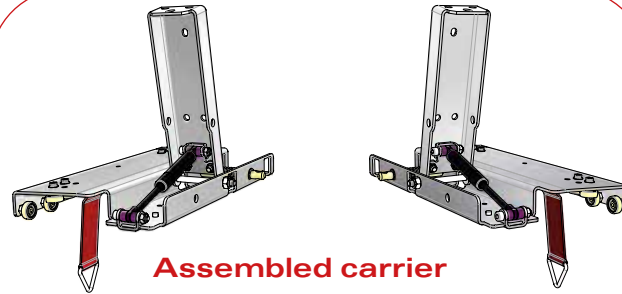


Tube 30x30x1,5mm

PART NR.

L = 2185mm 112-01003

For collapsible backside

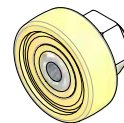


Assembled carrier

PART NR.

Left 204-39201

Right 204-39202



Roller bearing steel

PART NR.

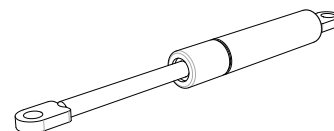
132-03001



Bolt tensilock M6x16mm

PART NR.

091-23001

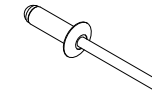


Gas spring 700N

PART NR.

302-01001

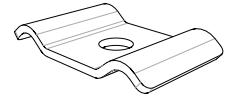
For accessories set



Rivet & washer

PART NR.

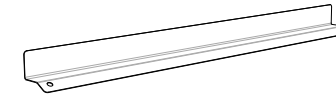
50 pieces 144-10003



Rope clamp

PART NR.

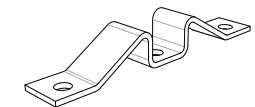
292-01001



Protection plate

PART NR.

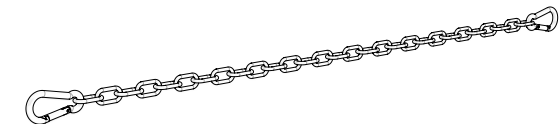
142-06006



Locking nose

PART NR.

142-05002

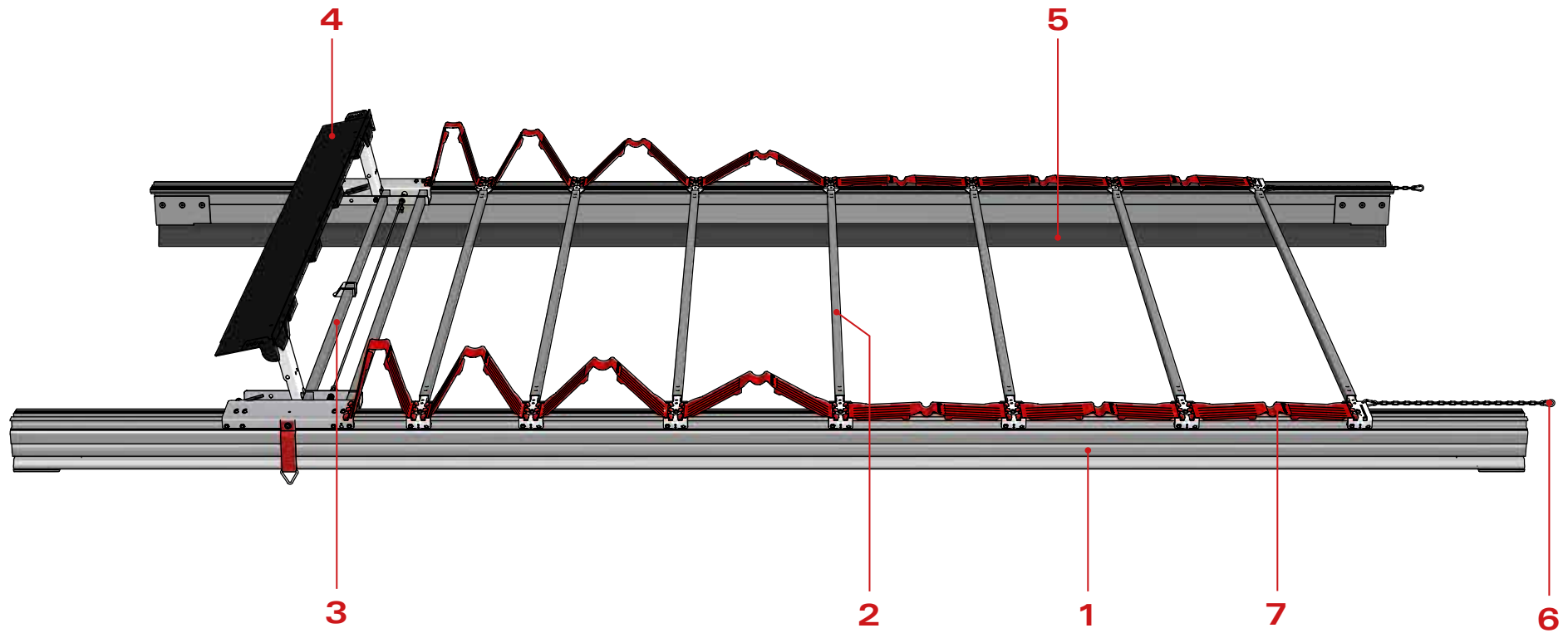


Chain with 2 hooks

PART NR.

142-07001



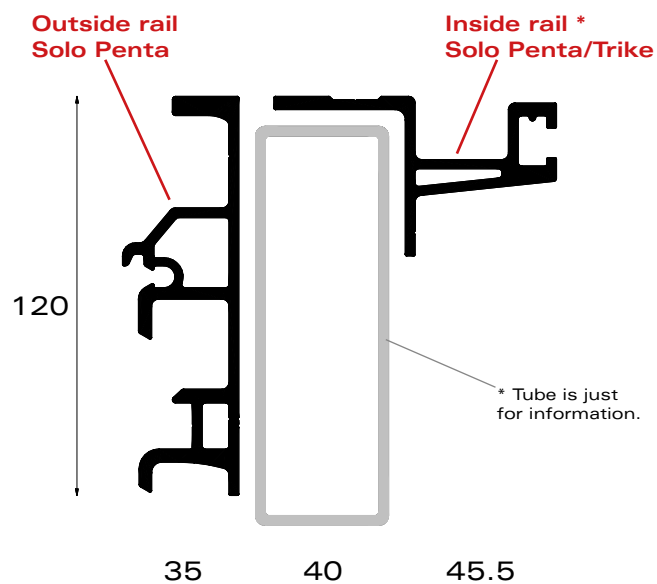


| | |
|----------|----------------------|
| 1 | Solo rails |
| 2 | Roof stick |
| 3 | Collapsible backside |
| 4 | Back beam |
| 5 | PVC pelmet |

| | |
|-----------|-----------------|
| 6 | Set accessories |
| 7 | Folding plate |
| 8* | Carapax plate |
| 9* | Pull bar |

* Not visible on the composition drawing above.

1 Solo rails



PART NR.

| | |
|---------------------|-----------|
| Rail (out) L = 7,8m | 162-41780 |
| Rail (out) L = 8,5m | 162-41850 |
| Rail (in) L = 7,8m | 162-43780 |
| Rail (in) L = 8,5m | 162-43850 |

Outside rail Solo Penta

lx : 130cm⁴
ly : 10cm⁴
± 2,8 kg/m

Inside rail Solo

lx : 9cm⁴
ly : 33cm⁴
± 1,8 kg/m

* Inside rail serves for Solo Penta and Solo Trike

2a Roof stick for sliding roof



PART NR.

| | |
|------------------------|-----------|
| SB=2550 - Type SP | 224-39001 |
| SB=2550 - Type AS (Al) | 224-39021 |

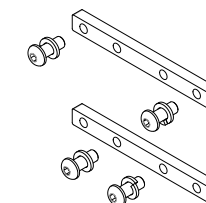
2b Roof stick for fixed roof with polyester cover



PART NR.



| | |
|-----------------------------|-----------|
| SB=2550 - Type SP | 224-39101 |
| SB=2550 - Type AS (Al) | 224-39121 |
| Mounting set roof stick fix | 144-10049 |



* Roof stick screwed to rail with bolts

* 1 set/roof stick

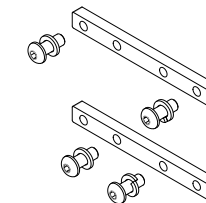
2c Roof stick for fixed roof with tarpaulin cover



PART NR.



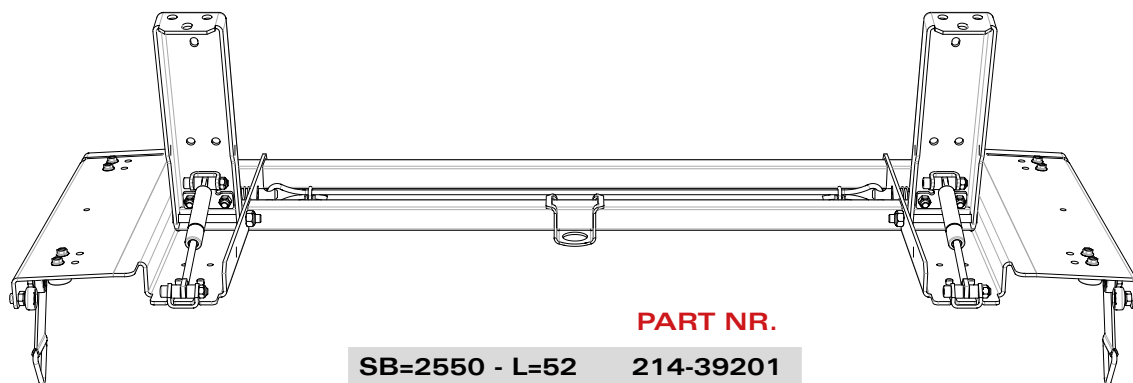
| | |
|-----------------------------|-----------|
| SB=2550 - Type SP | 224-39201 |
| SB=2550 - Type AS (Al) | 224-39221 |
| Mounting set roof stick fix | 144-10049 |



* Roof stick screwed to rail with bolts

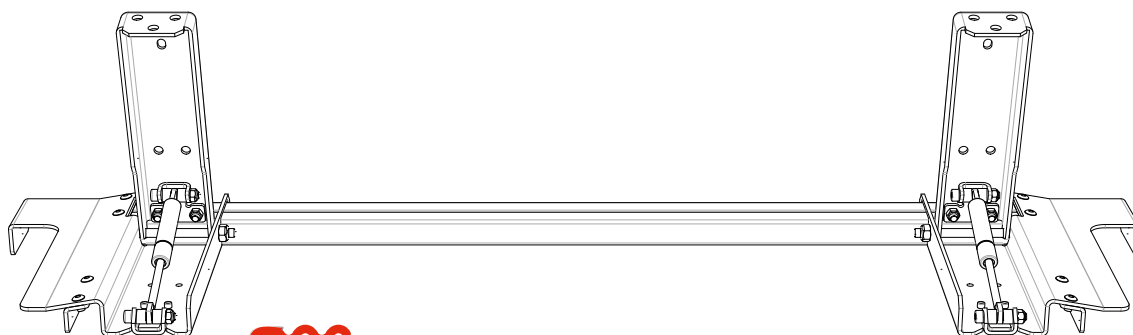
* 1 set/roof stick

3a Collapsible backside



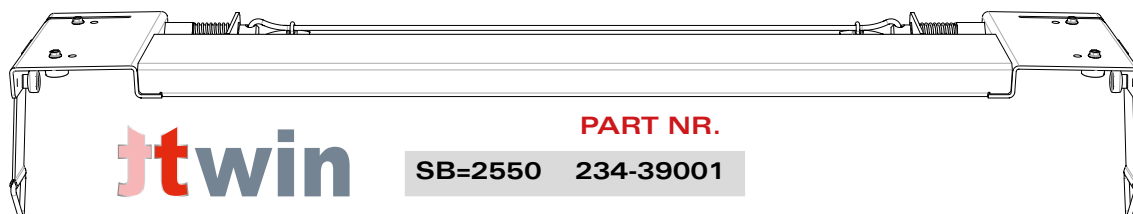
PART NR.
SB=2550 - L=52 214-39201

3b Collapsible backside for fixed roof with tarpaulin cover



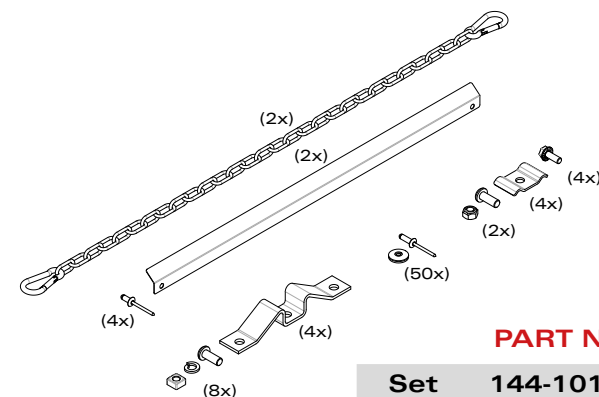
PART NR.
SB=2550 - L=100 324-39201

Front header



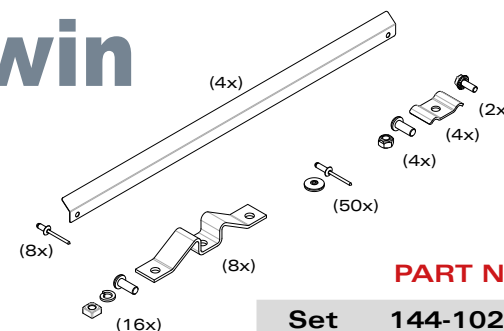
PART NR.
SB=2550 234-39001

6a Set accessories



PART NR.
Set 144-10148

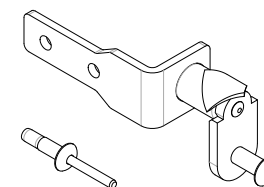
6b Set accessories Twin



PART NR.
Set 144-10248

* Solo Penta Twin sliding roof: this set replaces the basic set accessories (144-10001)!

6c Set lock collapsible backside



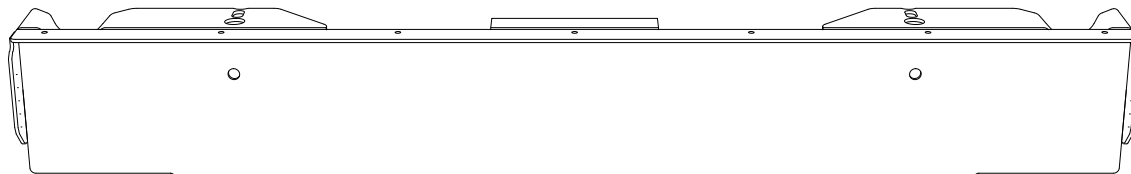
PART NR.
Set 144-10086

6d Set accessories external unlocking

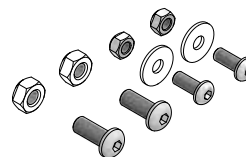


PART NR.
Set 144-10174

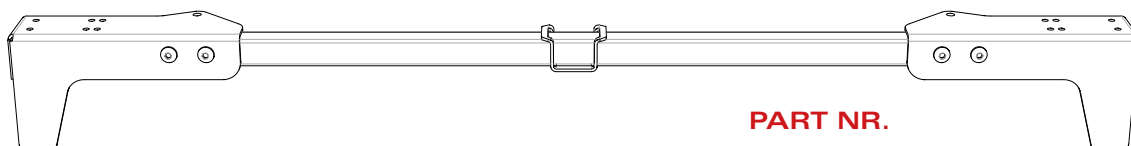
4a Back beam



| | PART NR. |
|----------------|-----------|
| SB=2550 - 145Z | 193-39001 |
| Mounting set | 144-10022 |

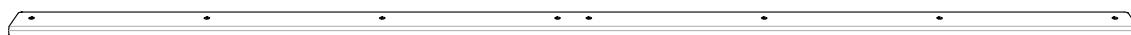


4b Back beam



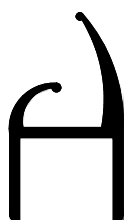
| | PART NR. |
|----------------------------|-----------|
| Set back beam tube 30x30mm | 144-10037 |
| Tube 30x30x2mm | 112-39001 |

Rain strip for back beam (4a)



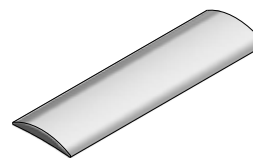
| | PART NR. |
|---------|-----------|
| SB=2550 | 192-01601 |

Rain strip for front header

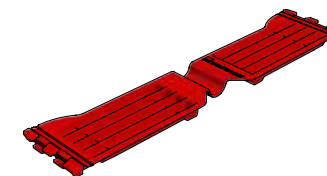


ttwin

| | PART NR. |
|--------------------------------|-----------|
| Rain strip SB=2550 | 192-01606 |
| PVC pelmet L = 2,6m (black) | 242-20001 |
| Mounting strip 30x5mm L = 2,6m | 292-07001 |



7 Folding plate



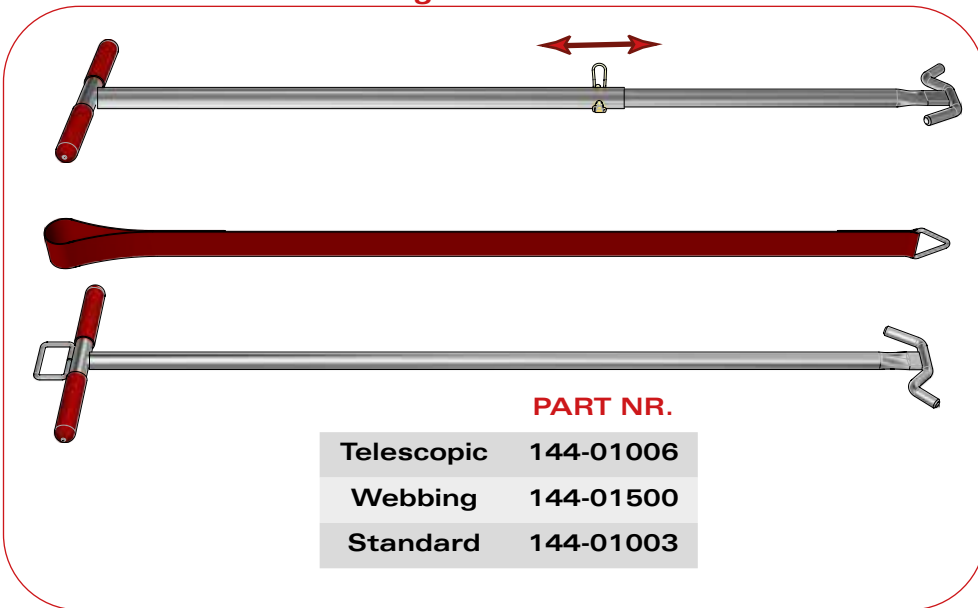
| | PART NR. |
|----------|-----------|
| Type 400 | 242-01004 |
| Type 500 | 242-01005 |
| Type 600 | 242-01006 |
| Type 700 | 242-01007 |
| Type 570 | 242-01057 |
| Type 650 | 242-01065 |

5 PVC pelmet (black)



| | PART NR. |
|---------|-----------|
| L = 9m | 242-02109 |
| L = 14m | 242-02114 |

9 Pull bars & webbing



8 Carapax plate



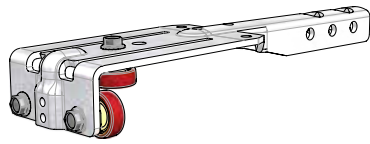
PART NR.
291-03004

* only needed for roof with Carapax cover

Roller

* Please see chapter Penta Slider Systems for options!

For roof sticks



Assembled bracket

PART NR.

174-39001



Roller bearing plastic

PART NR.

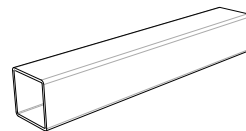
132-01001



Bolt tensilock M6x16mm

PART NR.

091-23001

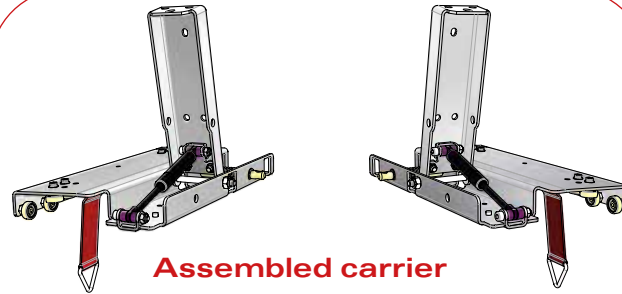


Tube 30x30x1,5mm

PART NR.

L = 2185mm 112-01003

For collapsible backside

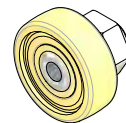


Assembled carrier

PART NR.

Left 204-39201

Right 204-39202



Roller bearing steel

PART NR.

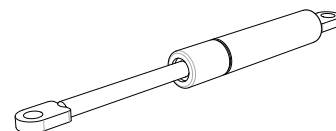
132-03001



Bolt tensilock M6x16mm

PART NR.

091-23001

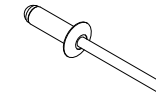


Gas spring 700N

PART NR.

302-01001

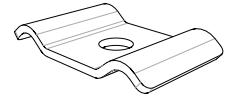
For accessories set



Rivet & washer

PART NR.

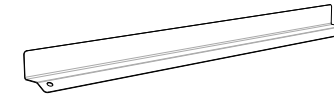
50 pieces 144-10003



Rope clamp

PART NR.

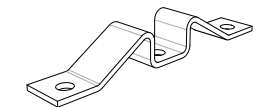
292-01001



Protection plate

PART NR.

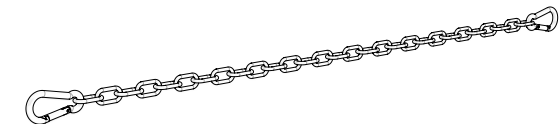
142-06006



Locking nose

PART NR.

142-05002



Chain with 2 hooks

PART NR.

142-07001



options & variations

Page

Roof sticks 124

Back beams 130

PVC pelmets 134

options & variations for **roof sticks**

Roof stick for sliding roof



| | Steel 30x30 | Al 30x40 |
|-------------------|-------------|-----------|
| SB=2550 - pressed | 224-01001 | |
| SB=2550 - bolted | | 224-03001 |
| SB=Spec - pressed | 224-01003 | |
| SB=Spec - bolted | 224-02003 | 224-03003 |

alto **Trike**
 alto **Trike Light**
 duo **Trike**
 duo **Trike Light**
 kubus **Trike**
 kubus **Trike Light**

micro **Trike**
 alto **Penta**
 duo **Penta**
 pico
 euro

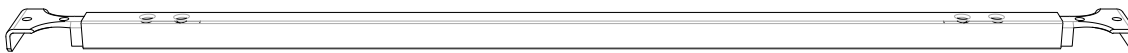
Roof stick for sliding roof with anti-fly hook



| | Steel 30x30 | Al 30x40 |
|-------------------|-------------|-----------|
| SB=2550 - pressed | 224-91001 | |
| SB=2550 - bolted | | 224-93001 |
| SB=Spec - pressed | 224-91003 | |
| SB=Spec - bolted | 224-92003 | 224-93003 |

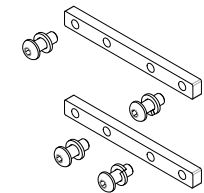
alto **Trike**
 duo **Trike**
 kubus **Trike**
 alto **Penta**

Roof stick for fixed roof with polyester cover fixed to the rail with bolts



| | Steel 30x30 | Al 30x40 |
|-----------------------------|-------------|-----------|
| SB=2550 - pressed | 224-41101 | |
| SB=2550 - bolted | | 224-43101 |
| SB=Spec - pressed | 224-41103 | |
| SB=Spec - bolted | 224-42103 | 224-43103 |
| Mounting set roof stick fix | 144-10048 | |

alto **Trike Light**
 duo **Trike Light**
 kubus **Trike Light**
 micro **Trike**
 duo **Penta**



* 1 set/roof stick

Roof stick for fixed roof with tarpaulin cover fixed to the rail with monobolts



| | Steel 30x30 | Al 30x40 |
|-------------------|-------------|-----------|
| SB=2550 - pressed | 224-41201 | |
| SB=2550 - bolted | | 224-43201 |
| SB=Spec - pressed | 224-41203 | |
| SB=Spec - bolted | 224-42203 | 224-43203 |

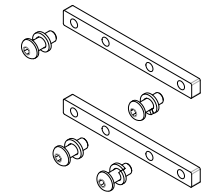
alto **Trike**
 duo **Trike**
 kubus **Trike**
 alto **Penta**

Roof stick for fixed roof with tarpaulin cover fixed to the rail with bolts



| | Steel 30x30 | Al 30x40 |
|-----------------------------|-------------|-----------|
| SB=2550 - pressed | 224-41211 | |
| SB=2550 - bolted | | 224-43211 |
| SB=Spec - pressed | 224-41213 | |
| SB=Spec - bolted | 224-42213 | 224-43213 |
| Mounting set roof stick fix | 144-10048 | |

alto **Trike Light**
 duo **Trike Light**
 kubus **Trike Light**
 micro **Trike**
 duo **Penta**



* 1 set/roof stick

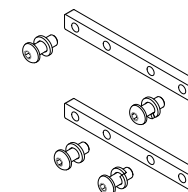
options & variations for **roof sticks**

Roof stick for fixed roof with polyester cover fixed to the rail with bolts



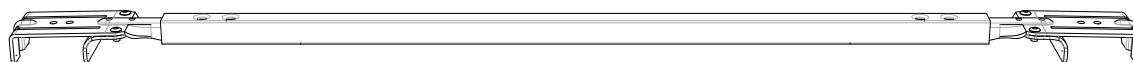
| | Steel 30x30 | Al 30x40 |
|-----------------------------|-------------|-----------|
| SB=2550 - pressed | 224-01101 | |
| SB=2550 - bolted | | 224-03101 |
| SB=Spec - pressed | 224-01103 | |
| SB=Spec - bolted | 224-02103 | 224-03103 |
| Mounting set roof stick fix | 144-10048 | |

pico



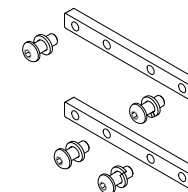
* 1 set/roof stick

Roof stick for fixed roof with tarpaulin cover fixed to the rail with bolts



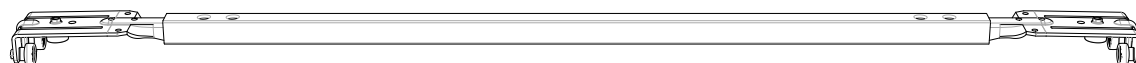
| | Steel 30x30 | Al 30x40 |
|-----------------------------|-------------|-----------|
| SB=2550 - pressed | 224-01211 | |
| SB=2550 - bolted | | 224-03211 |
| SB=Spec - pressed | 224-01213 | |
| SB=Spec - bolted | 224-02213 | 224-03213 |
| Mounting set roof stick fix | 144-10048 | |

pico



* 1 set/roof stick

Roof stick for sliding roof



| | Steel 30x30 | Al 30x40 |
|-------------------|-------------|-----------|
| SB=2550 - pressed | 224-30001 | |
| SB=2550 - bolted | | 224-33001 |
| SB=Spec - pressed | 224-30003 | |
| SB=Spec - bolted | 224-32003 | 224-33003 |

ferro

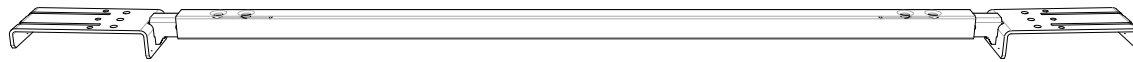
Roof stick for sliding roof



| | Steel 30x30 | Al 30x40 |
|--------------------------|--------------------|------------------|
| SB=2550 - pressed | 224-01031 | |
| SB=2550 - bolted | | 224-03031 |
| SB=Spec - pressed | 224-01033 | |
| SB=Spec - bolted | 224-02033 | 224-03033 |

plano

Roof stick for fixed roof with tarpaulin cover fixed to the rail with monobolts



| | Steel 30x30 | Al 30x40 |
|--------------------------|--------------------|------------------|
| SB=2550 - pressed | 224-01231 | |
| SB=2550 - bolted | | 224-03231 |
| SB=Spec - pressed | 224-01233 | |
| SB=Spec - bolted | 224-02233 | 224-03233 |

plano

Roof stick for fixed roof with polyester cover fixed to the rail with monobolts



| | Steel 30x30 |
|--------------------------|--------------------|
| SB=2550 - riveted | 224-02161 |
| SB=Spec - riveted | 224-02163 |

plano

options & variations for **roof sticks**

Roof stick for sliding roof with TIR-protection



| | Steel 30x30 | Al 30x40 |
|-------------------|-------------|-----------|
| SB=2550 - pressed | 224-70001 | |
| SB=2550 - bolted | | 224-73001 |
| SB=Spec - pressed | 224-70003 | |
| SB=Spec - bolted | 224-72003 | 224-73003 |

euro

Roof stick for fixed roof with polyester cover fixed to the rail with bolts

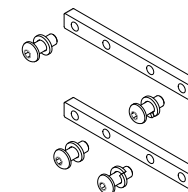


+



| | Steel 30x30 | Al 30x40 |
|-----------------------------|-------------|-----------|
| SB=2550 - pressed | 224-21101 | |
| SB=2550 - bolted | | 224-23101 |
| SB=Spec - pressed | 224-21103 | |
| SB=Spec - bolted | 224-22103 | 224-23103 |
| Mounting set roof stick fix | 144-10048 | |

euro



* 1 set/roof stick

Roof stick for fixed roof with tarpaulin cover fixed to the rail with bolts

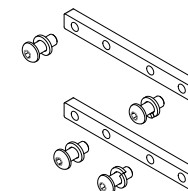


+



| | Steel 30x30 | Al 30x40 |
|-----------------------------|-------------|-----------|
| SB=2550 - pressed | 224-70211 | |
| SB=2550 - bolted | | 224-73101 |
| SB=Spec - pressed | 224-70213 | |
| SB=Spec - bolted | 224-72213 | 224-73103 |
| Mounting set roof stick fix | 144-10048 | |

euro



* 1 set/roof stick

Roof stick for sliding roof



| | Steel 30x30 | Al 30x40 |
|-------------------|-------------|-----------|
| SB=2550 - pressed | 224-39001 | |
| SB=2550 - bolted | | 224-39021 |
| SB=Spec - pressed | 224-39003 | |
| SB=Spec - bolted | 224-39303 | 224-39023 |

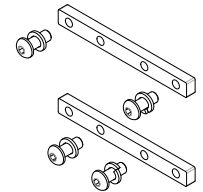
solo **Trike**
solo **Penta**

Roof stick for fixed roof with polyester cover fixed to the rail with bolts



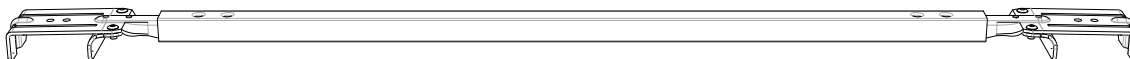
| | Steel 30x30 | Al 30x40 |
|-----------------------------|-------------|-----------|
| SB=2550 - pressed | 224-39101 | |
| SB=2550 - bolted | | 224-39121 |
| SB=Spec - pressed | 224-39103 | |
| SB=Spec - bolted | 224-39123 | 224-39133 |
| Mounting set roof stick fix | 144-10049 | |

solo **Trike**
solo **Penta**



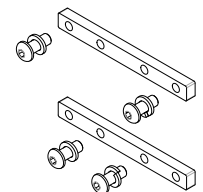
* 1 set/roof stick

Roof stick for fixed roof with tarpaulin cover fixed to the rail with bolts



| | Steel 30x30 | Al 30x40 |
|-----------------------------|-------------|-----------|
| SB=2550 - pressed | 224-39201 | |
| SB=2550 - bolted | | 224-39221 |
| SB=Spec - pressed | 224-39203 | |
| SB=Spec - bolted | 224-39213 | 224-39223 |
| Mounting set roof stick fix | 144-10049 | |

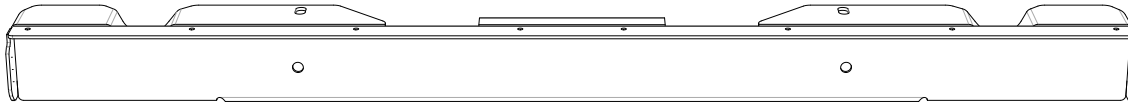
solo **Trike**
solo **Penta**



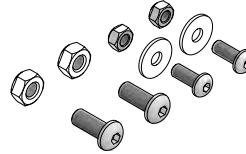
* 1 set/roof stick

options & variations for **back beams**

Back beam - 80Z

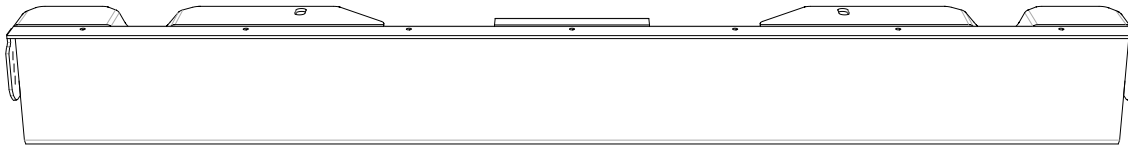


| | PART NR. |
|--------------|-----------------|
| SB=2550 | 193-05031 |
| SB=Spec | 193-05033 |
| Mounting set | 144-10022 |

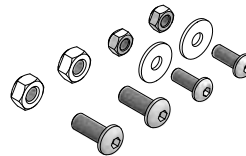


plano

Back beam - 125Z

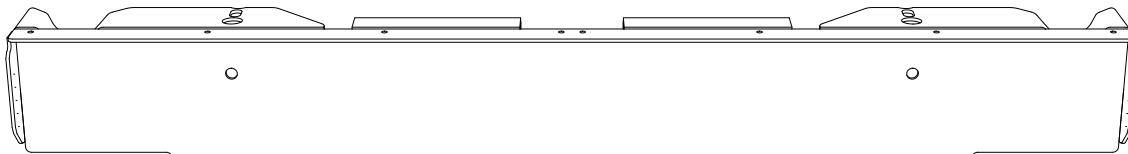


| | PART NR. |
|--------------|-----------------|
| SB=2550 | 193-11031 |
| SB=Spec | 193-11033 |
| Mounting set | 144-10022 |

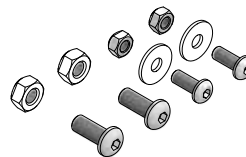


plano

Back beam - 125Z

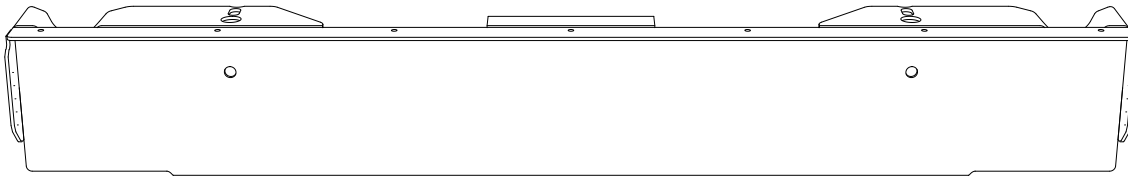


| | PART NR. |
|--------------|-----------------|
| SB=2550 | 193-11001 |
| SB=Spec | 193-11003 |
| Mounting set | 144-10022 |

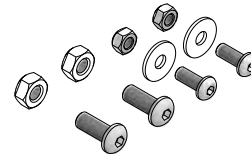


kubus **Trike**
kubus **Trike Light**
micro **Trike**
pico

Back beam - 145Z

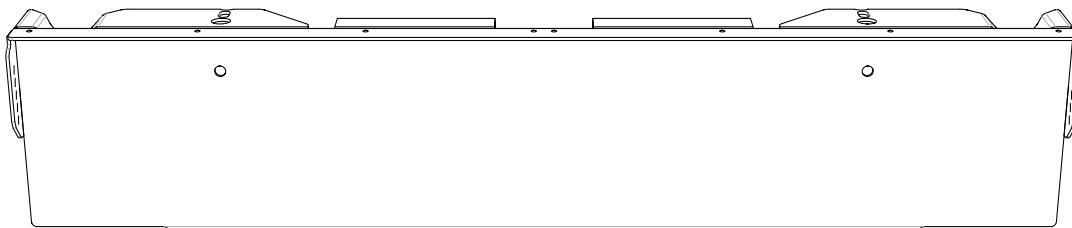


| | PART NR. |
|--------------|-----------------|
| SB=2550 | 193-14001 |
| SB=Spec | 193-14003 |
| Mounting set | 144-10022 |

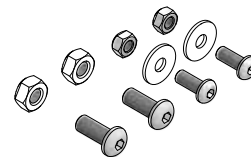


duo **Trike**
 duo **Trike Light**
 duo **Penta**
 solo **Trike**
 solo **Penta**

Back beam - 208Z



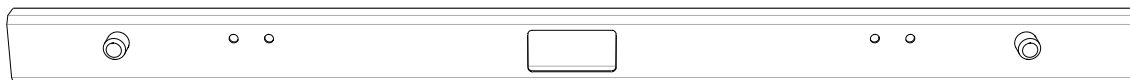
| | PART NR. |
|--------------|-----------------|
| SB=2550 | 193-18001 |
| SB=Spec | 193-18003 |
| Mounting set | 144-10022 |



alto **Trike**
 alto **Trike Light**
 alto **Penta**
 euro

options & variations for **back beams**

Back beam 80x40mm



PART NR.

| | |
|----------------------------|-----------|
| Set back beam tube 80x40mm | 144-10004 |
| SB=2550 - Tube 80x40x3mm | 193-08031 |
| SB=Spec - Tube 80x40x3mm | 193-08033 |

plano

Back beam 120x40mm

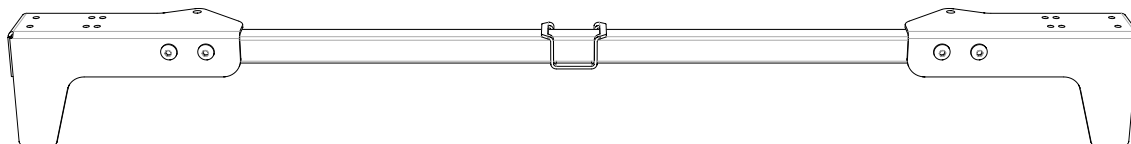


PART NR.

| | |
|-----------------------------|-----------|
| Set back beam tube 120x40mm | 144-10004 |
| SB=2550 - Tube 120x40x3mm | 193-39121 |
| SB=Spec - Tube 120x40x3mm | 193-39123 |

solo **Trike**
solo **Penta**

Back beam 30x30mm



PART NR.

| | |
|----------------------------|-----------|
| Set back beam tube 30x30mm | 144-10037 |
| SB=2550 - Tube 30x30x2mm | 112-07001 |
| SB=Spec - Tube 30x30x2mm | 112-07003 |

alto **Trike**

alto **Trike Light**

duo **Trike**

duo **Trike Light**

kubus **Trike**

kubus **Trike Light**

micro **Trike**

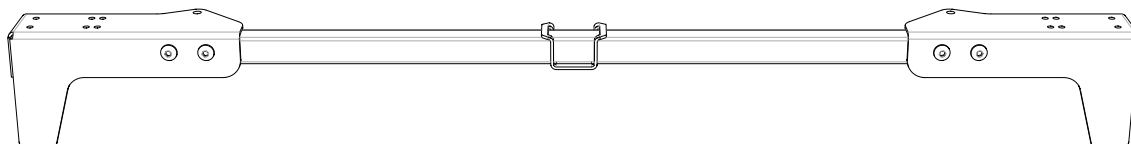
alto **Penta**

duo **Penta**

pico

ferro

Back beam 30x30mm



PART NR.

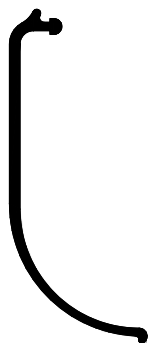
| | |
|----------------------------|-----------|
| Set back beam tube 30x30mm | 144-10037 |
| SB=2550 - Tube 30x30x2mm | 112-39001 |
| SB=Spec - Tube 30x30x2mm | 112-39003 |

solo **Trike**

solo **Penta**

options & variations for **PVC pelmets**

PVC pelmet 02



PART NR.

L = 9m (grey) 242-02009

L = 15m (grey) 242-02015

L = 9m (black) 242-02109

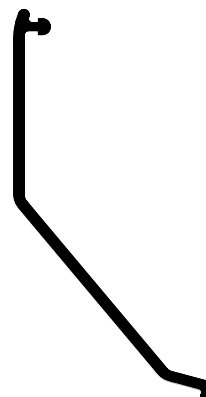
L = 14m (black) 242-02114

duo **Penta**

solo **Penta**

solo **Trike**

PVC pelmet 12



PART NR.

L = 9m (grey) 242-12009

L = 14m (grey) 242-12014

L = 15m (grey) 242-12015

L = 9m (black) 242-12109

L = 14m (black) 242-12114

L = 15m (black) 242-12115

L = 20m (black) 242-12120

L = 14m (white) 242-12214

kubus **Trike**

kubus **Trike Light**

plano

PVC pelmet 13



PART NR.

L = 9m (grey) 242-13009

L = 14m (grey) 242-13014

L = 9m (black) 242-13109

L = 14m (black) 242-13114

L = 15m (black) 242-13115

euro

PVC pelmet 14



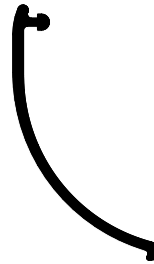
PART NR.

| | |
|----------------|-----------|
| L = 9m (grey) | 242-14009 |
| L = 14m (grey) | 242-14014 |

| | |
|-----------------|-----------|
| L = 9m (black) | 242-14109 |
| L = 14m (black) | 242-14114 |
| L = 16m (black) | 242-14116 |
| L = 21m (black) | 242-14121 |
| L = 28m (black) | 242-14128 |

alto **Trike**
 alto **Trike Light**
 duo **Trike**
 duo **Trike Light**

PVC pelmet 15

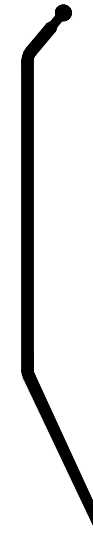


PART NR.

| | |
|-----------------|-----------|
| L = 9m (black) | 242-15109 |
| L = 14m (black) | 242-15114 |

micro **Trike**
 plano

PVC pelmet 16



PART NR.

| | |
|-----------------|-----------|
| L = 9m (black) | 242-16109 |
| L = 14m (black) | 242-16114 |

alto **Penta**



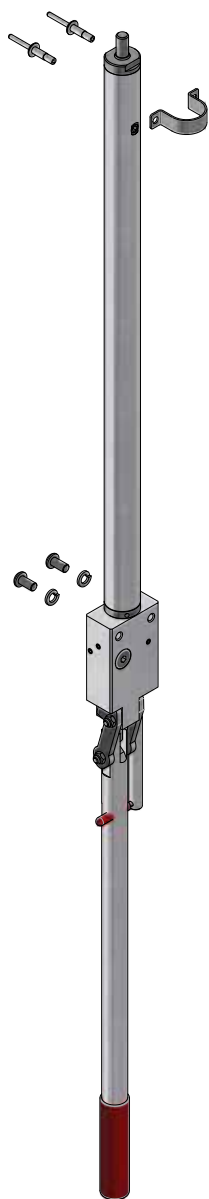
| Type of lifting system | Page |
|------------------------|------|
| Hydraman | 138 |
| Hydratwin | 140 |
| Hydramatic | 142 |
| Set connect | 152 |
| Set lift & drive | 154 |



axceshydraman

lifting systems by versus





PART NR.

Hydraman 500

802-01007

- * Each Hydraman-pump must be combined with a set connect Hydraman or set lift & drive Hydraman.
- ** The oil we recommend to use = HLP 46 or HLP 68.
- *** The mounting set for the pump is included in the set connect Hydraman (144-10095) or in the set lift & drive Hydraman (144-10109).
- **** Maximum pressure 250 bar and maximum weight per pillar 250 kg.



axceshydratwin

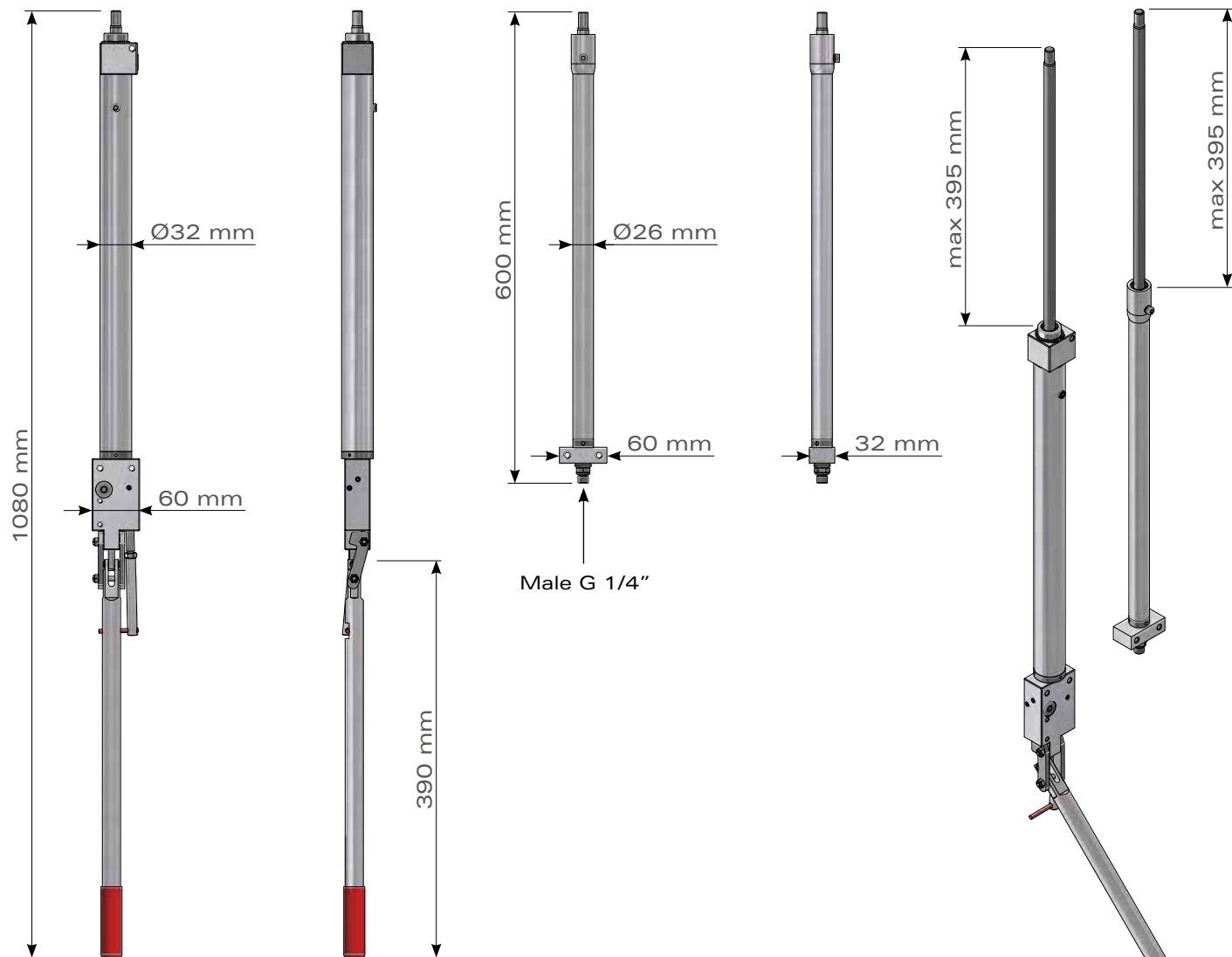
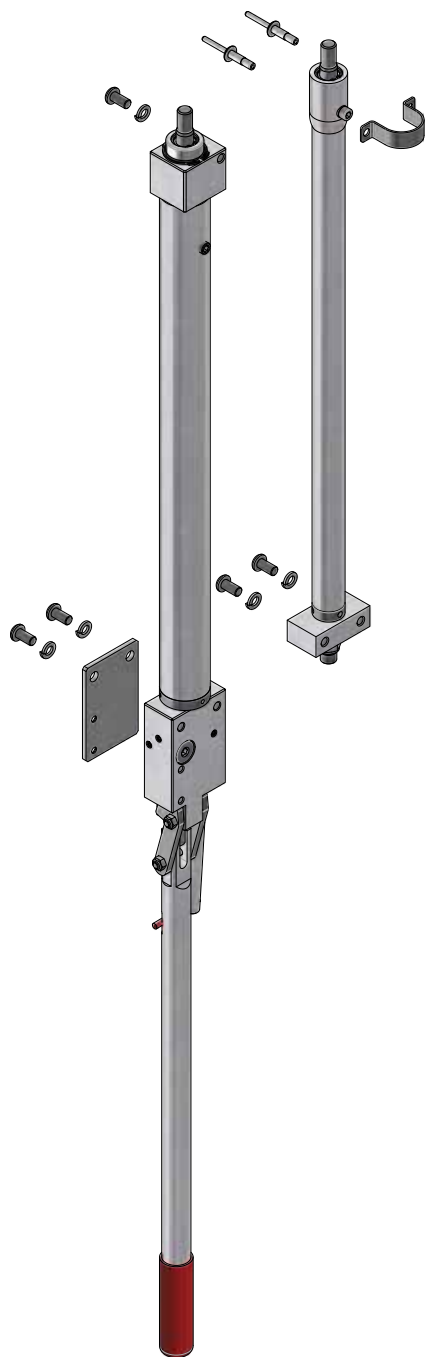
lifting systems by versus



The connector (2x male G 1/4" - 90°) is not supplied by Versus-Omega!



The oil duct is not supplied by Versus-Omega!



Hydratwin pump + cylinder

PART NR.

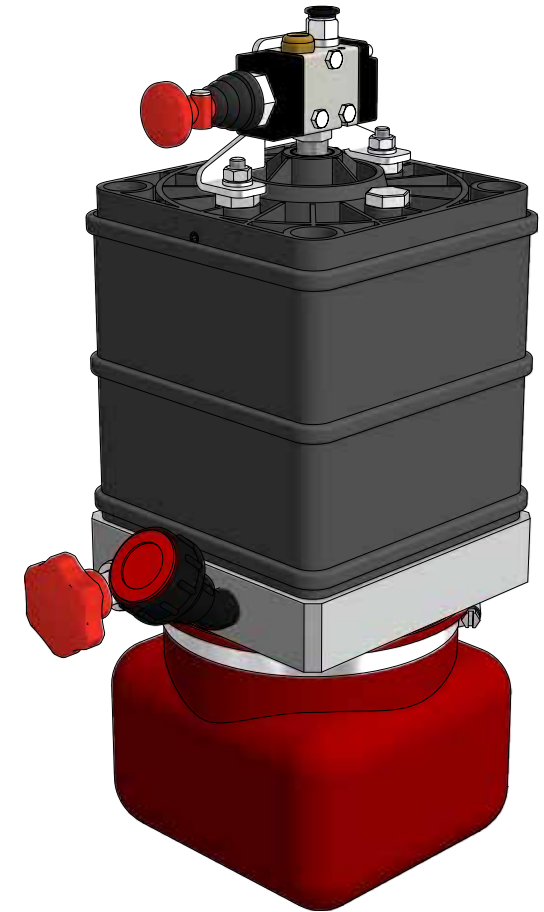
144-10097

- * Each Hydratwin-pump & cylinder must be combined with a set connect Hydratwin or set lift & drive Hydratwin.
- ** The oil we recommend to use = HLP 46 or HLP 68.
- *** The mounting set for the pump & cylinder is included in the set connect Hydratwin (144-10107) or in the set lift & drive Hydratwin (144-10113).

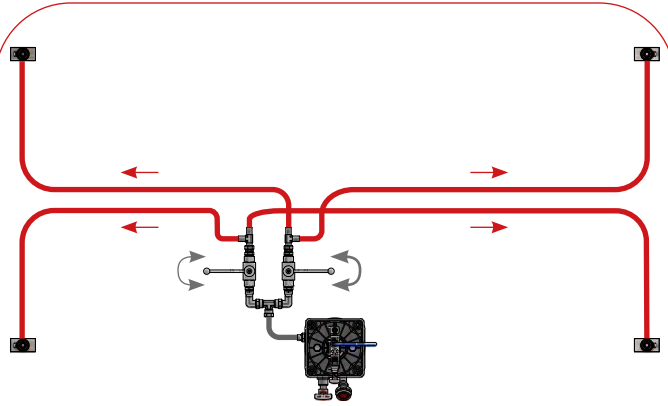


axceshydramatic

lifting systems by versus



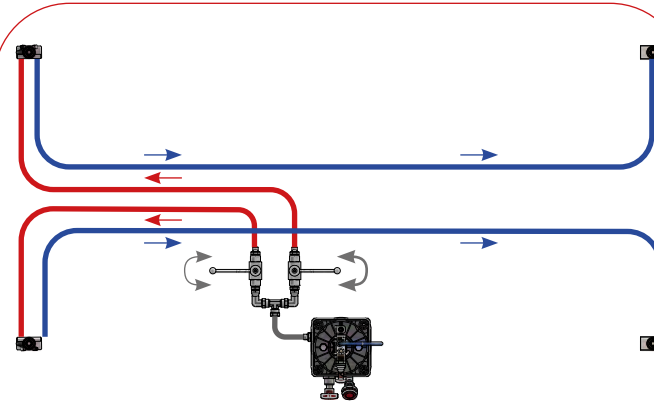
TYPE S1



S1: Roof can be lifted each side separately or both sides together. The cylinders will not necessarily rise simultaneously but in a random order.

Choose S1 if: - chassis-width \geq 2550mm
and/or
- chassis-length \geq 5000mm
and/or
- simultaneous lift of the cylinders is not important

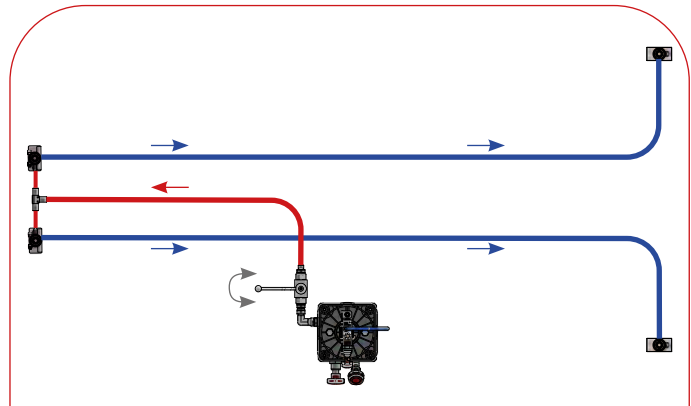
TYPE S2



S2: Roof can be lifted each side separately or both sides together. Each pair of cylinders (front + rear) will always rise simultaneously but if both sides of the roof are lifted at the same time both pairs will not necessarily rise simultaneously but in a random order.

Choose S2 if: - chassis-width \geq 2550mm
and/or
- simultaneous lifting of each pair of cylinders is important

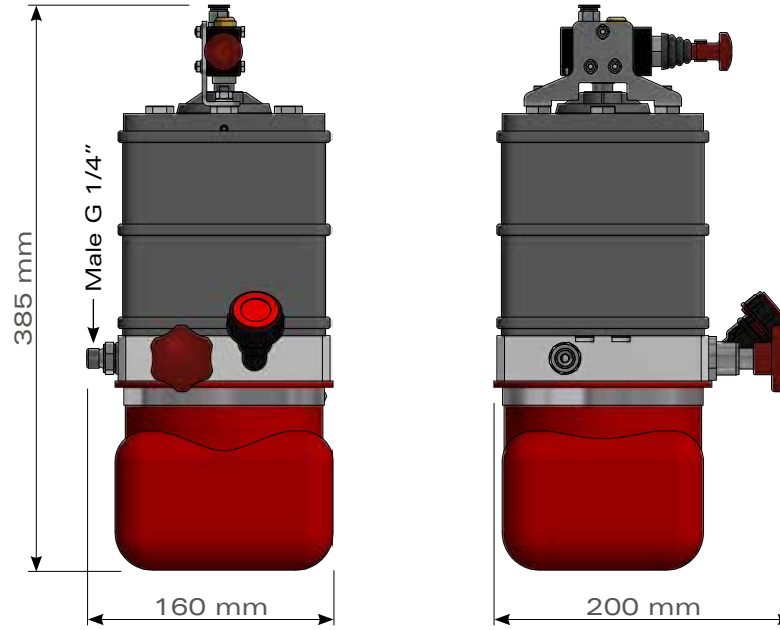
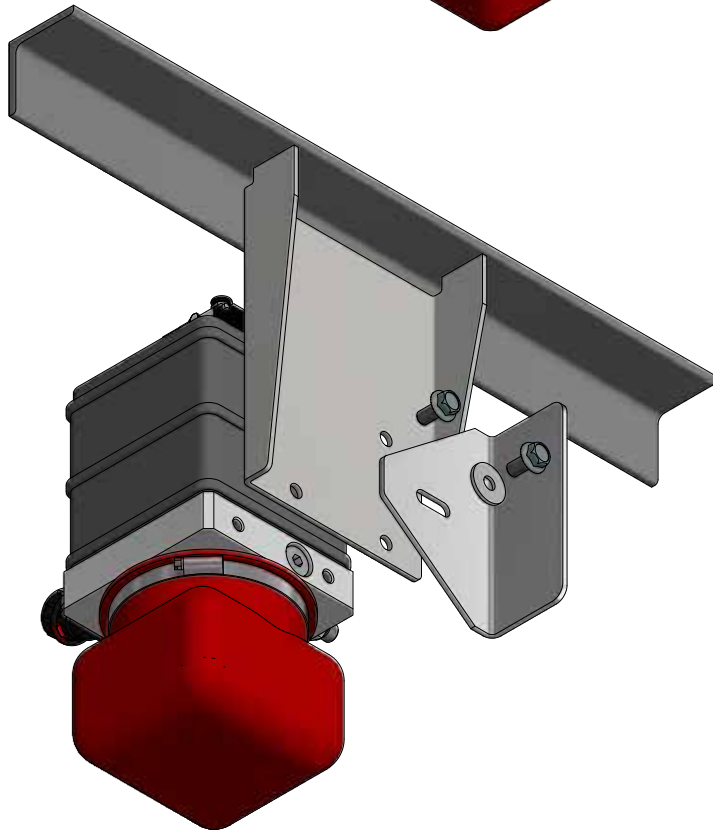
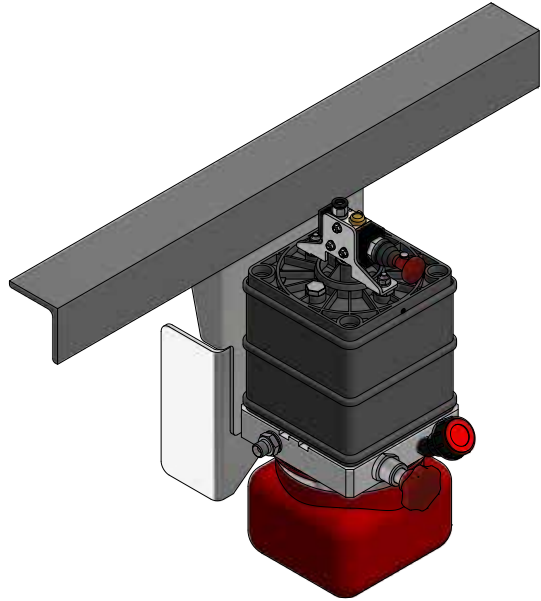
TYPE S3



S3: Roof can only be lifted completely (left and right side together). All 4 cylinders will rise simultaneously.

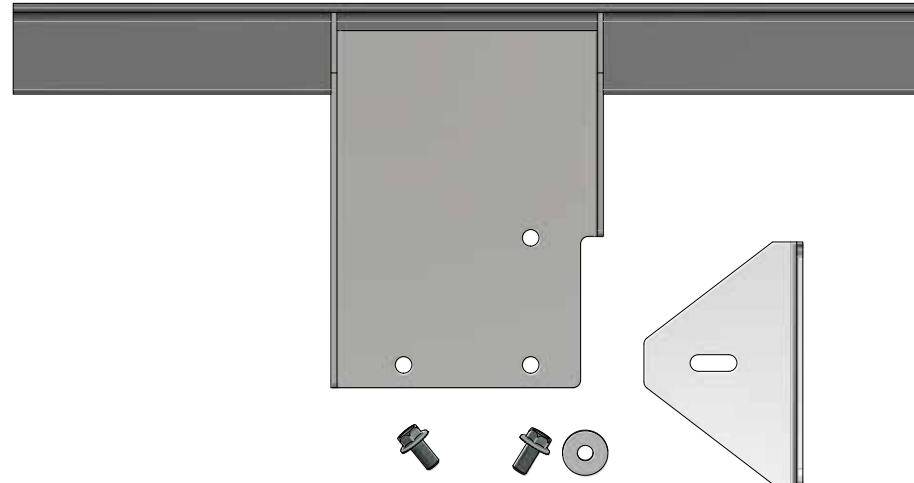
Choose S3 if: - chassis dimensions don't allow the use of S1 or S2
and/or
- lifting all 4 corners of the roof simultaneously is important (e.g. because of a stiff, welded roof structure that can be damaged if not lifted simultaneously)

| | | | | | | | | | |
|-----------------|--|--|--|------------------|------------------|------------------|------------------|------------------|------------------|
| | | | | | | | | | |
| PART NR. | | | | 802-01009 | 802-05004 | 802-05005 | 804-06001 | 804-06002 | 804-06003 |
| Type S1 | | | | 1x | 4x | | 1x | | |
| Type S2 | | | | 1x | 2x | 2x | | 1x | |
| Type S3 | | | | 1x | 2x | 2x | | | 1x |

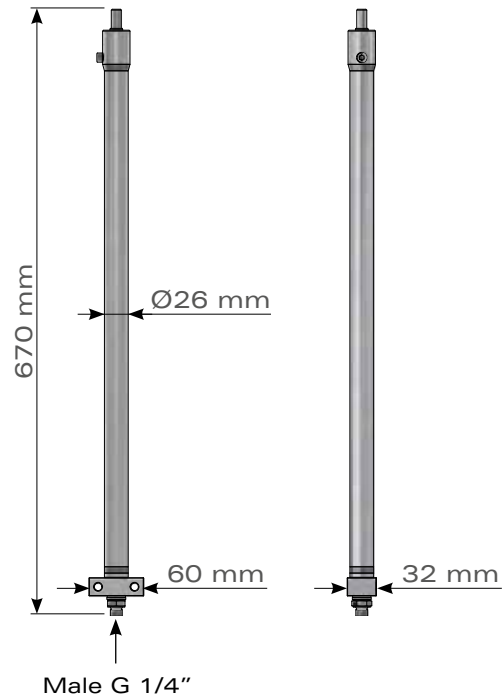
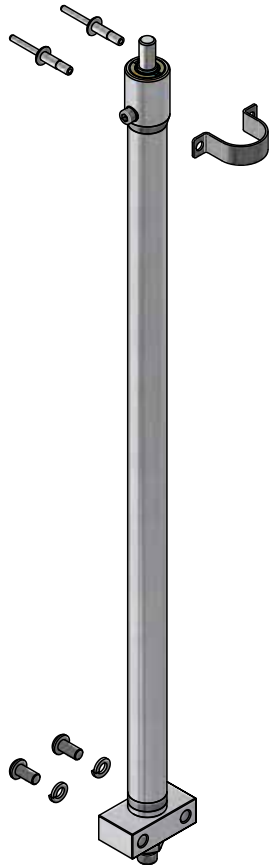


Hydramatic pump **802-01009**

* The oil we recommend to use = HLP 46 or HLP 68



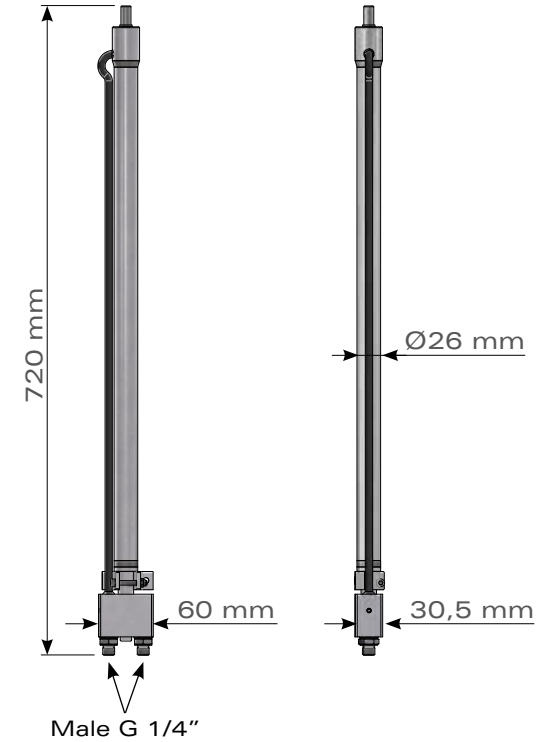
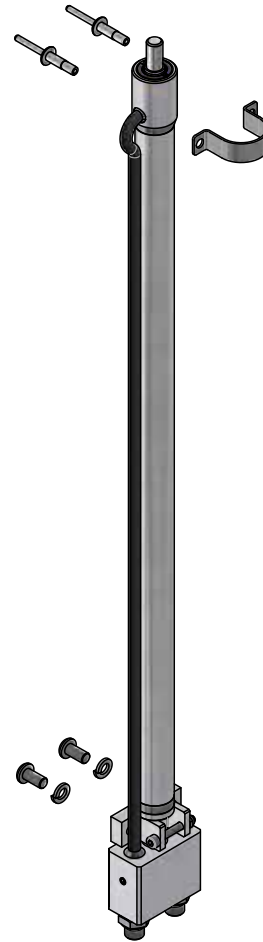
Mounting set Hydramatic pump **144-10164**



Cylinder 500 SE

PART NR.
802-05004

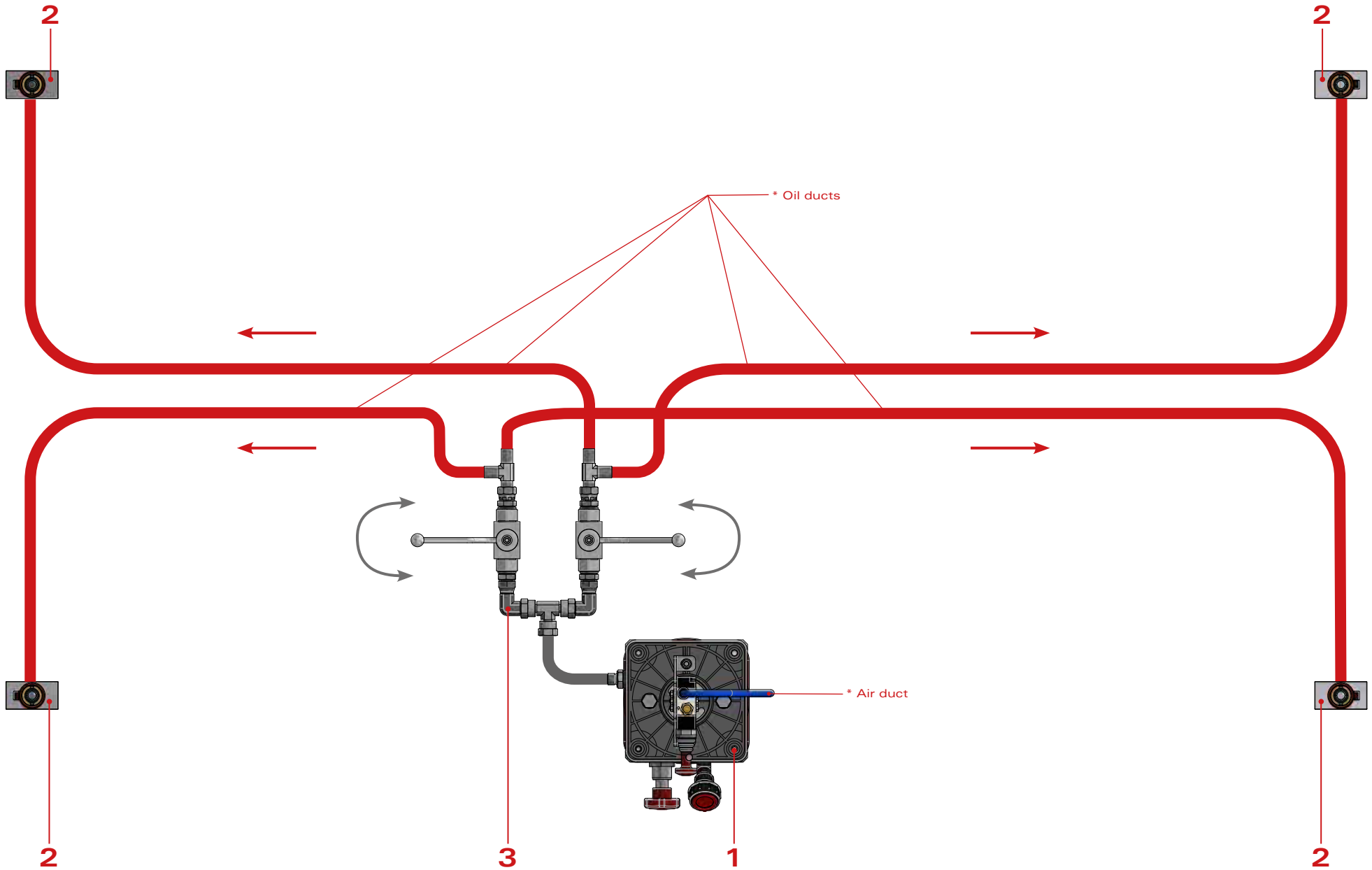
- * Each cylinder must be combined with a set connect Hydraman or set lift & drive Hydraman.
- ** The mounting set for the cylinder is included in the set connect Hydraman (144-10095) or in the set lift & drive Hydraman (144-10109).

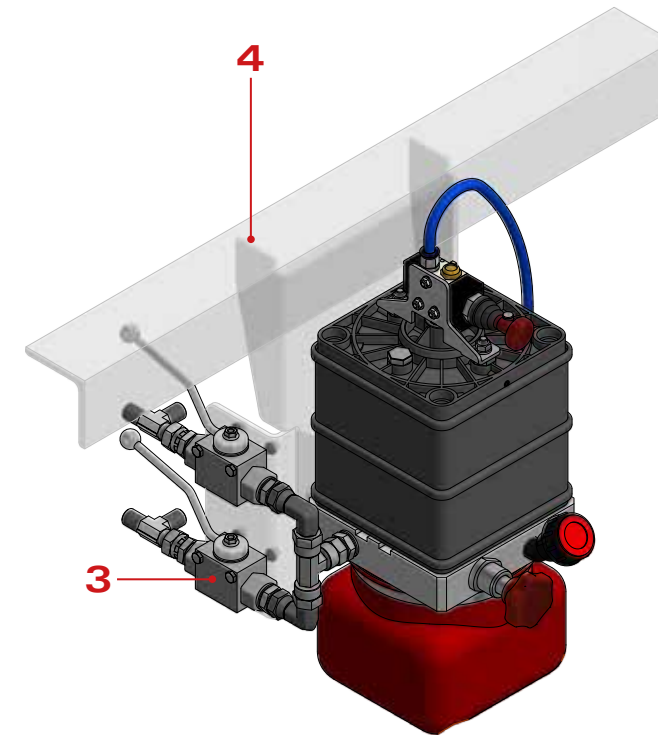
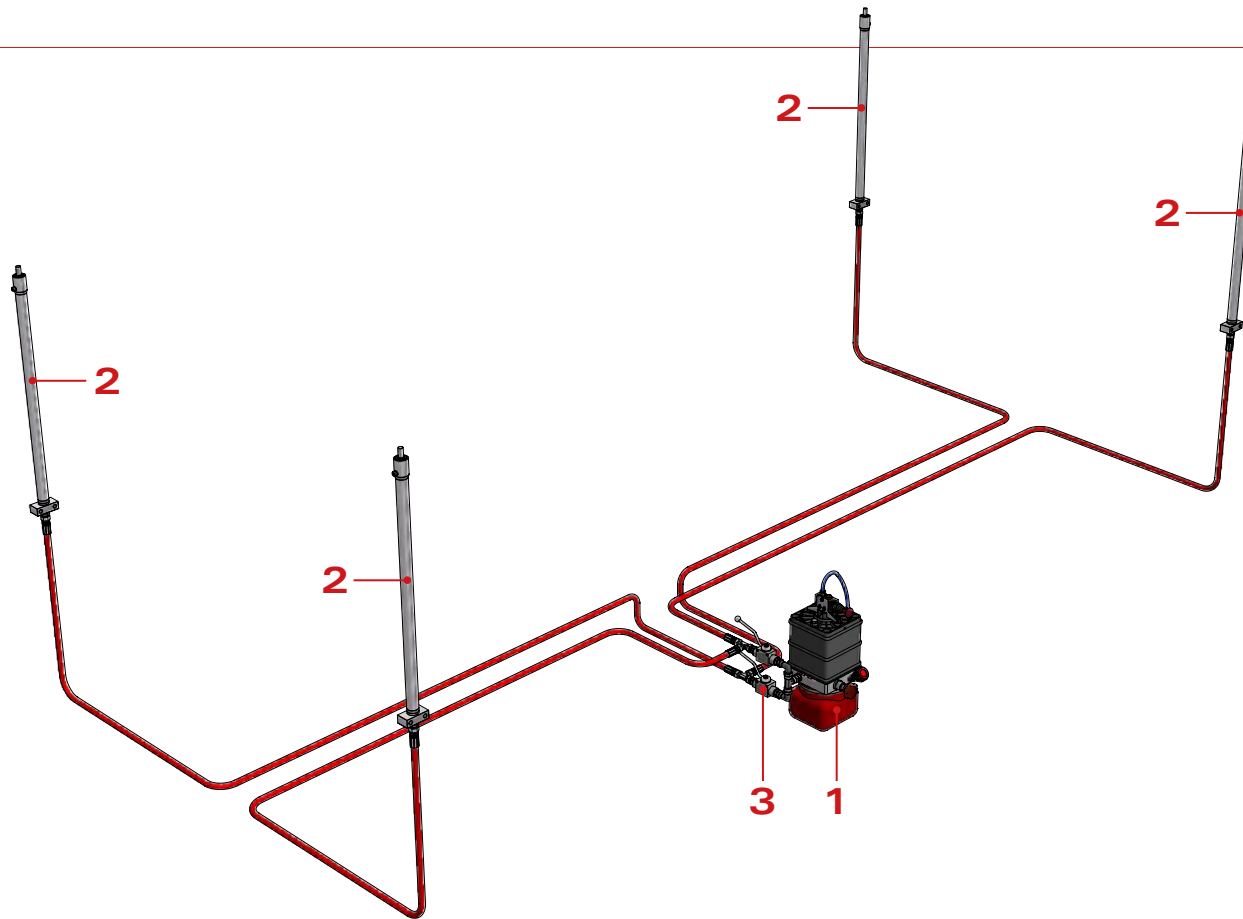


Cylinder 500 DE

PART NR.
802-05005

- * Each cylinder must be combined with a set connect Hydraman or set lift & drive Hydraman.
- ** The mounting set for the cylinder is included in the set connect Hydraman (144-10095) or in the set lift & drive Hydraman (144-10109).

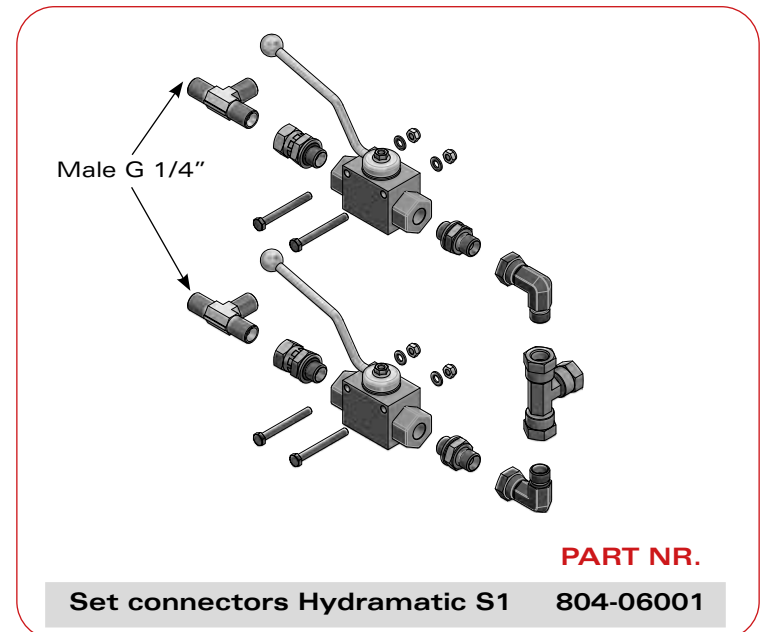




| Nr. | Part Nr. | Qty | Description |
|-----|-----------|-----|------------------------------|
| 1 | 802-01009 | 1 | Pump-unit Hydramatic 1,5L |
| 2 | 802-05004 | 4 | Cylinder Hydramatic 500 SE |
| 3 | 804-06001 | 1 | Set connectors Hydramatic S1 |
| 4 | 144-10164 | (1) | Mounting set Hydramatic pump |
| ** | 144-10095 | (4) | Set connect Hydraman |
| ** | 144-10109 | (4) | Set lift & drive Hydraman |

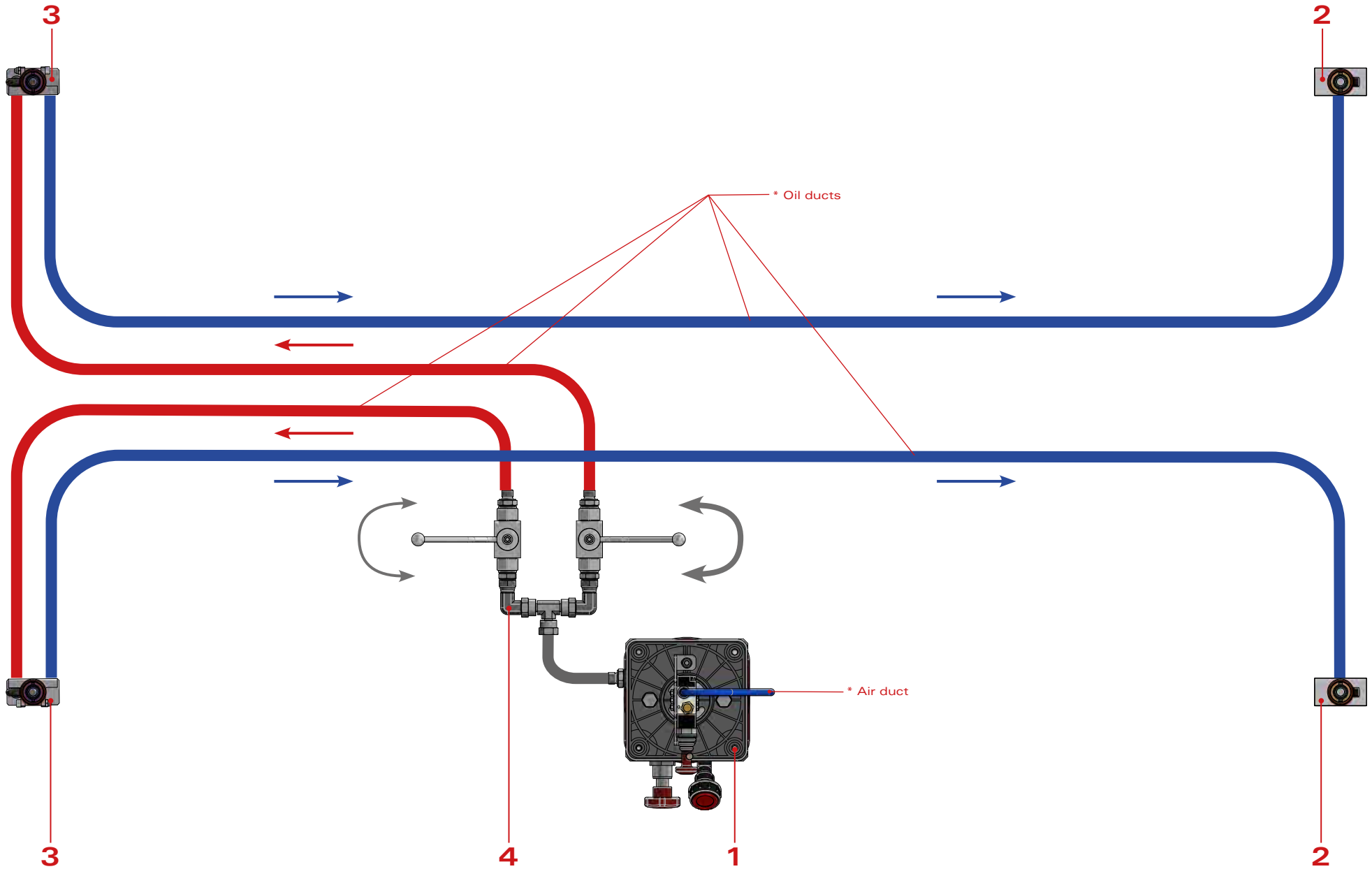
* The oil and air ducts are not supplied by Versus-Omega

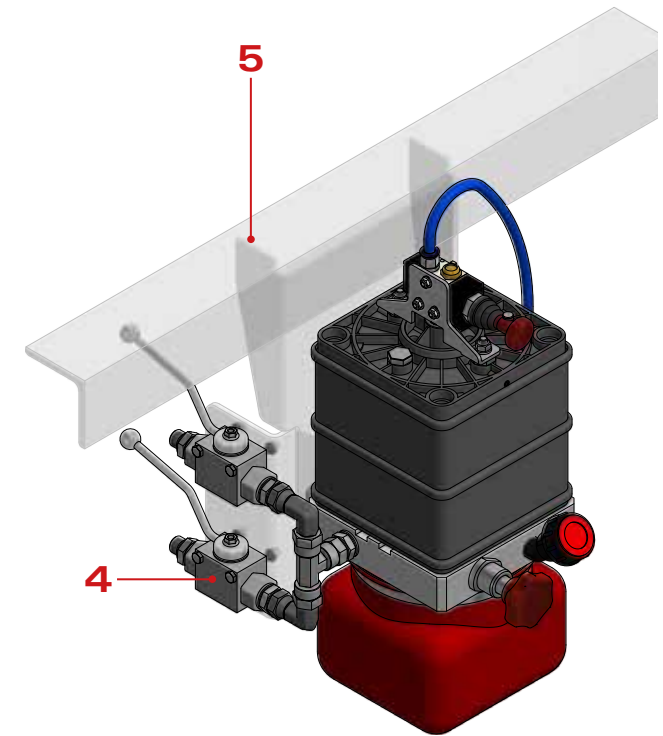
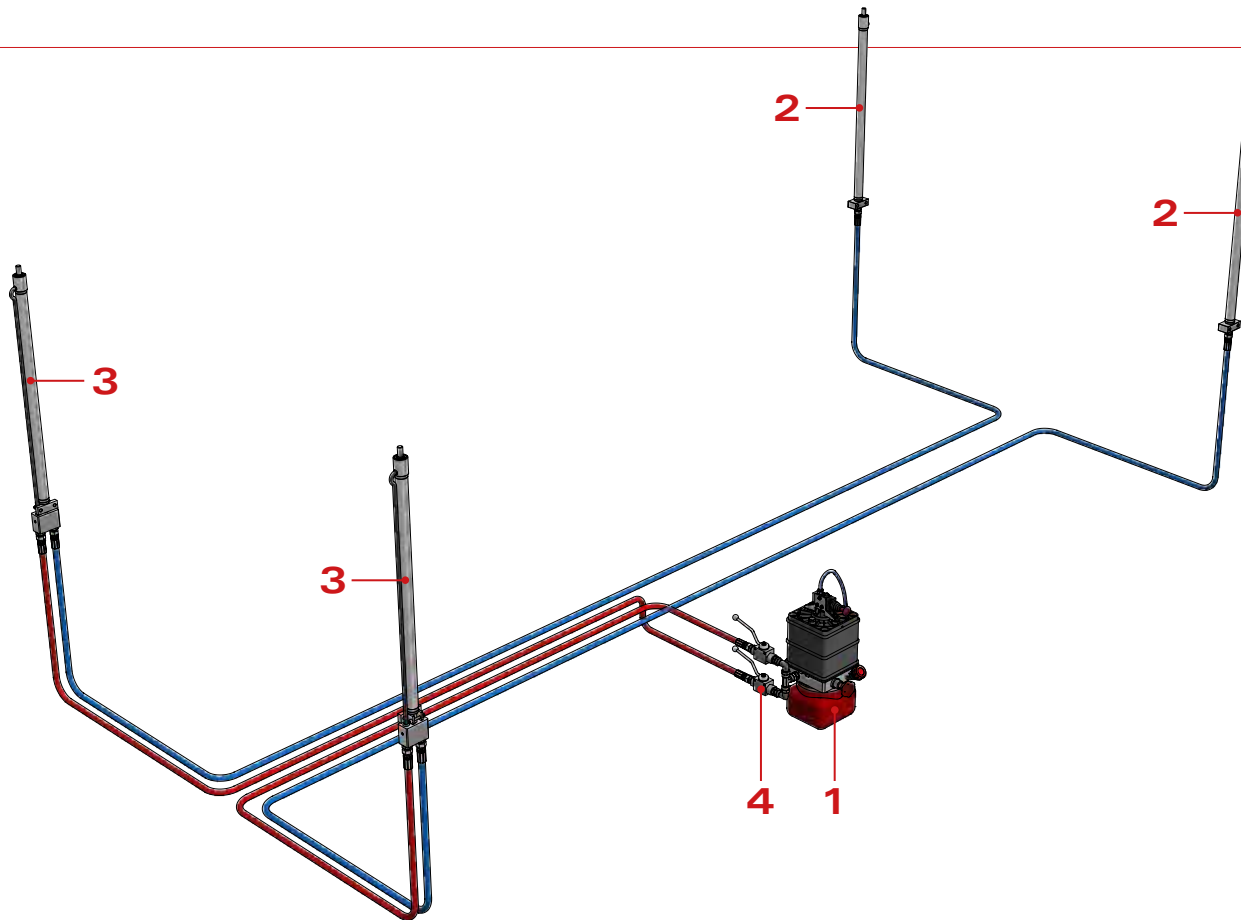
** Each cylinder must be combined with a set connect Hydraman or set lift & drive Hydraman. These are not shown in the images.



PART NR.

Set connectors Hydramatic S1 804-06001

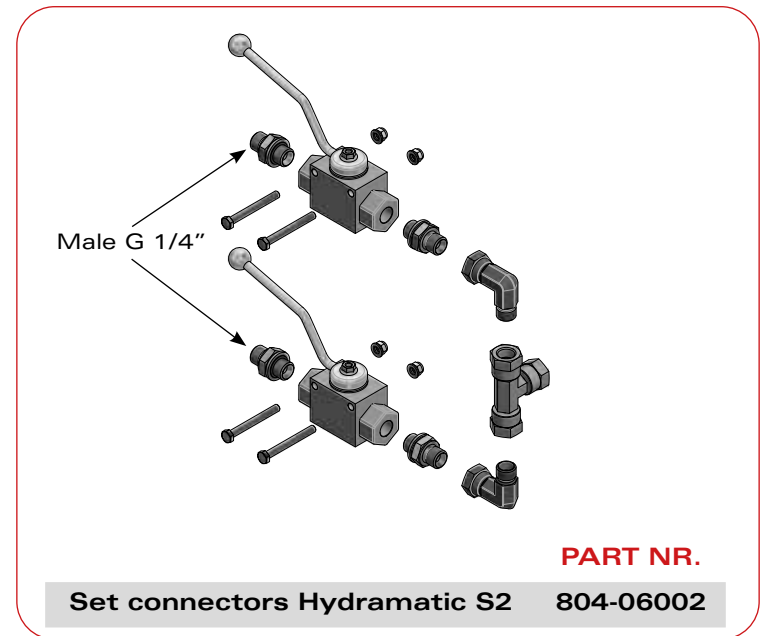




| Nr. | Part Nr. | Qty | Description |
|-----|-----------|-----|------------------------------|
| 1 | 802-01009 | 1 | Pump-unit Hydramatic 1,5L |
| 2 | 802-05004 | 2 | Cylinder Hydramatic 500 SE |
| 3 | 802-05005 | 2 | Cylinder Hydramatic 500 DE |
| 4 | 804-06002 | 1 | Set connectors Hydramatic S2 |
| 5 | 144-10164 | (1) | Mounting set Hydramatic pump |
| ** | 144-10095 | (4) | Set connect Hydraman |
| ** | 144-10109 | (4) | Set lift & drive Hydraman |

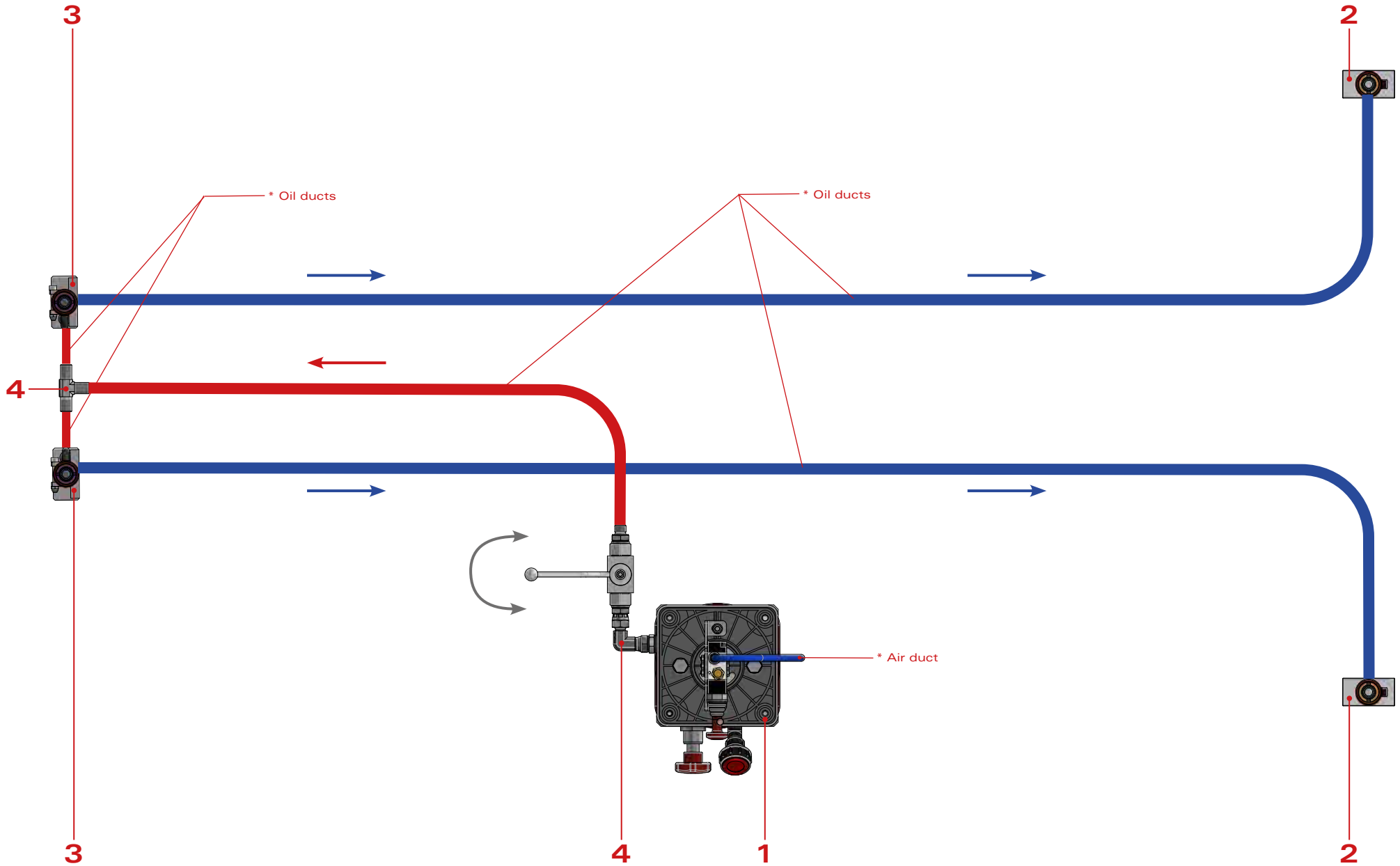
* The oil and air ducts are not supplied by Versus-Omega

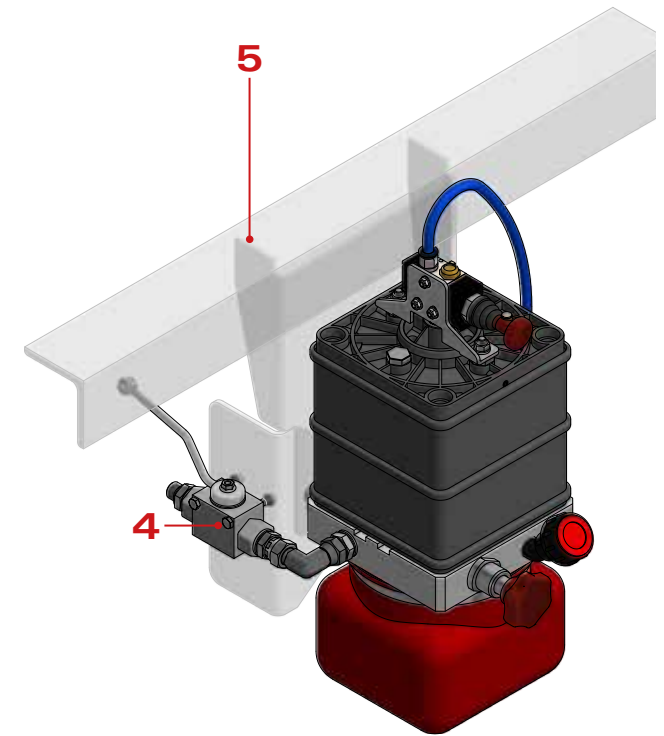
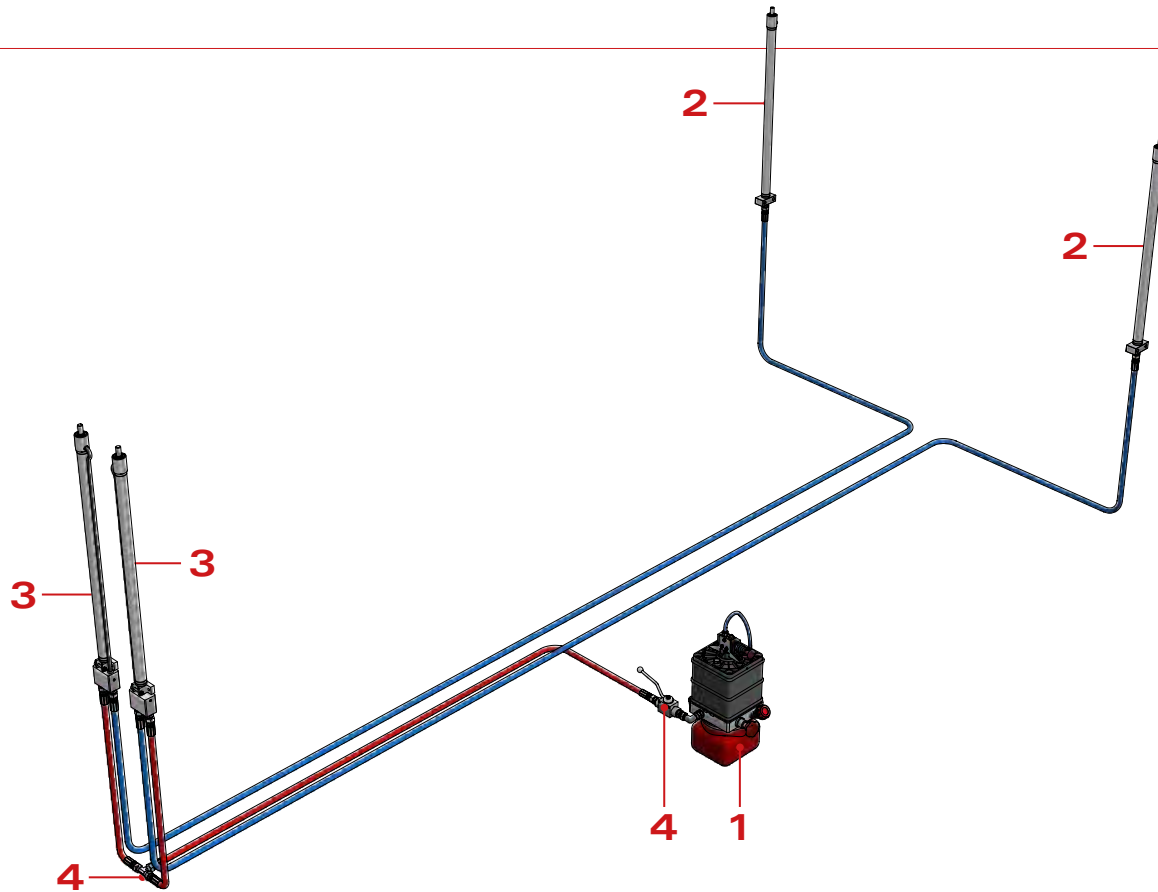
** Each cylinder must be combined with a set connect Hydraman or set lift & drive Hydraman. These are not shown in the images.



PART NR.

Set connectors Hydramatic S2 804-06002

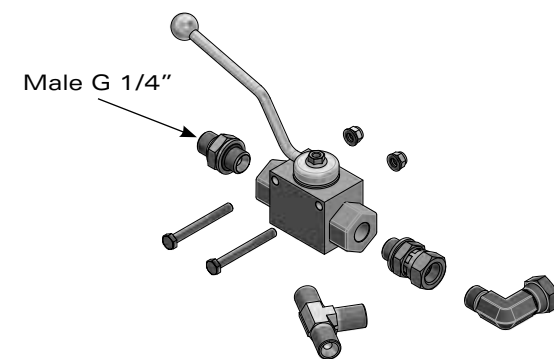




| Nr. | Part Nr. | Qty | Description |
|-----|-----------|-----|------------------------------|
| 1 | 802-01009 | 1 | Pump-unit Hydramatic 1,5L |
| 2 | 802-05004 | 2 | Cylinder Hydramatic 500 SE |
| 3 | 802-05005 | 2 | Cylinder Hydramatic 500 DE |
| 4 | 804-06003 | 1 | Set connectors Hydramatic S3 |
| 5 | 144-10164 | (1) | Mounting set Hydramatic pump |
| ** | 144-10095 | (4) | Set connect Hydraman |
| ** | 144-10109 | (4) | Set lift & drive Hydraman |

* The oil and air ducts are not supplied by Versus-Omega

** Each cylinder must be combined with a set connect Hydraman or set lift & drive Hydraman. These are not shown in the images.



PART NR.

Set connectors Hydramatic S3 804-06003



Hydraman
+ set connect Hydraman



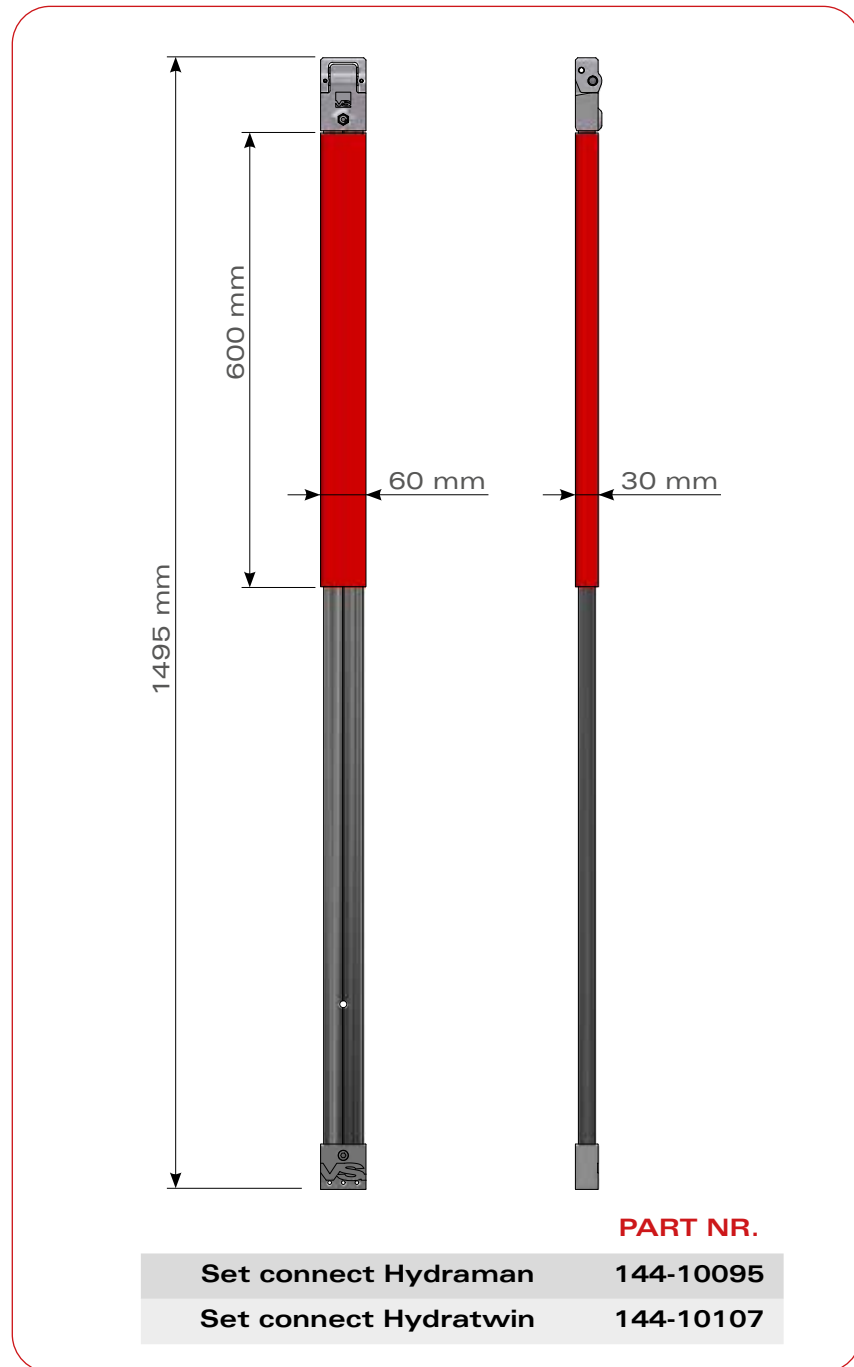
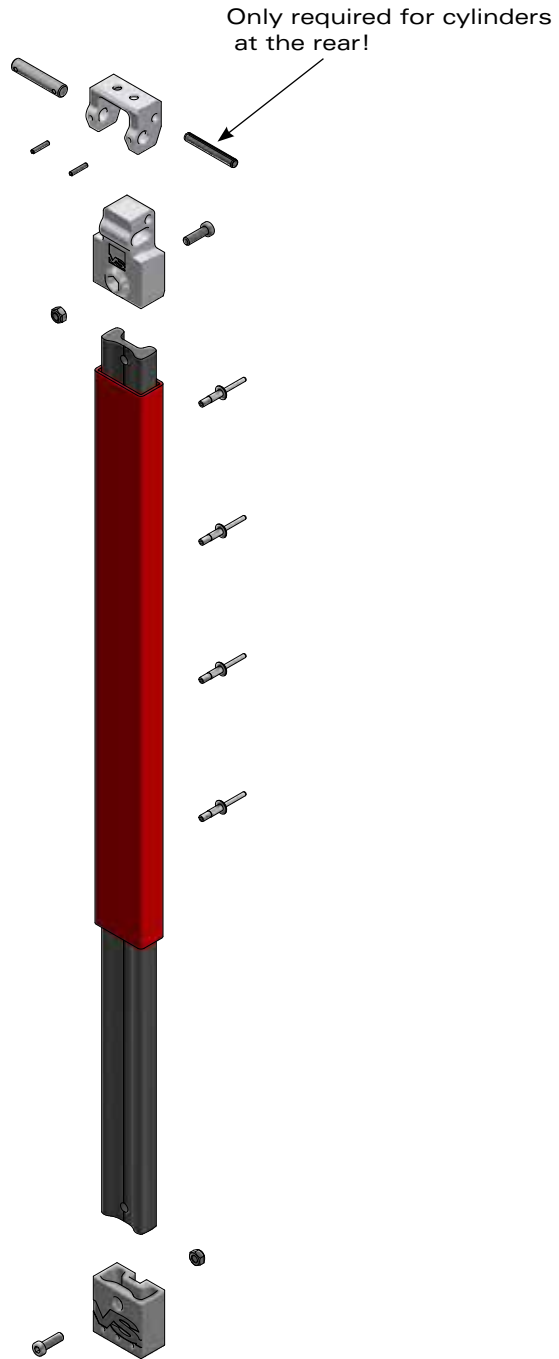
Hydratwin
+ set connect Hydratwin



Hydrumatic cylinder 500SE
+ set connect Hydraman



Hydrumatic cylinder 500DE
+ set connect Hydraman



* The mounting parts for Hydraman (pump), Hydratwin (pump + cylinder) and Hydramatic (cylinders SE + DE) are not visible in the pictures.

Set lift & drive



Hydraman
+ set lift & drive Hydraman



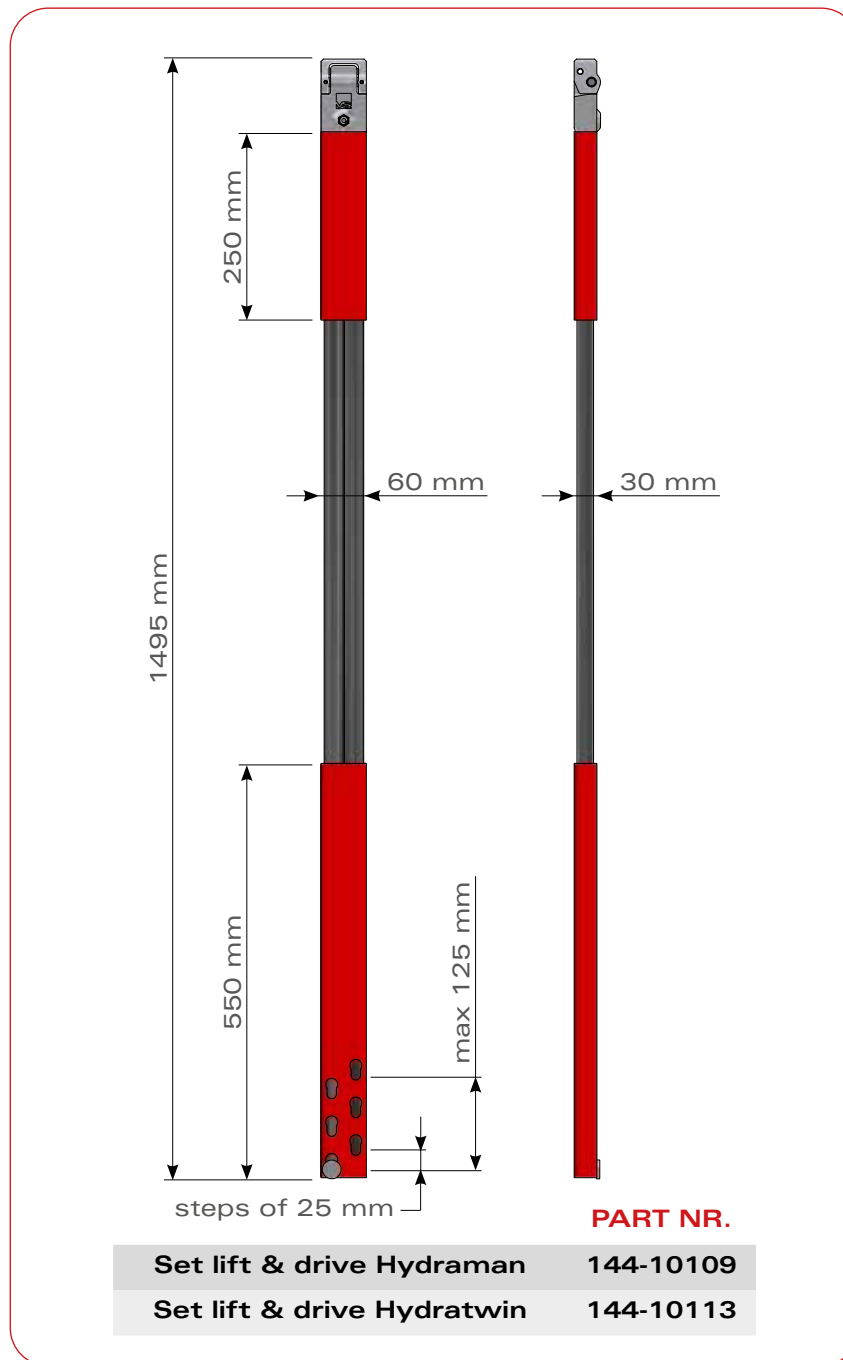
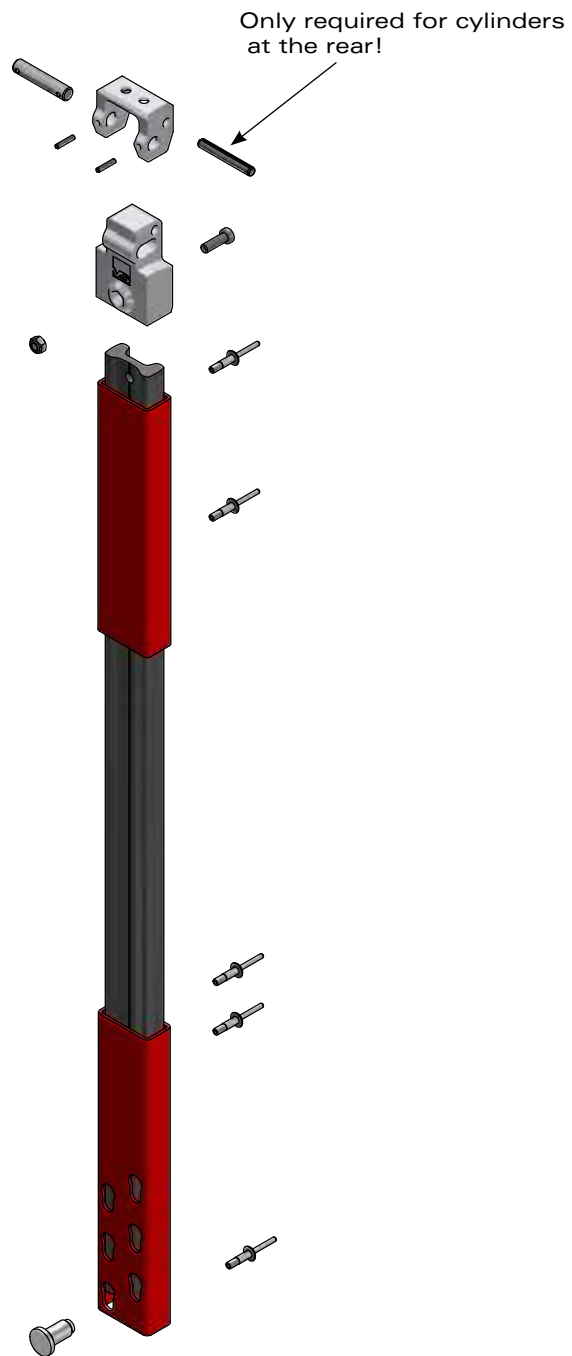
Hydratwin
+ set lift & drive Hydratwin



Hydrumatic cylinder 500SE
+ set lift & drive Hydraman



Hydrumatic cylinder 500DE
+ set lift & drive Hydraman



* The mounting parts for Hydraman (pump), Hydratwin (pump + cylinder) and Hydramatic (cylinders SE + DE) are not visible in the pictures.



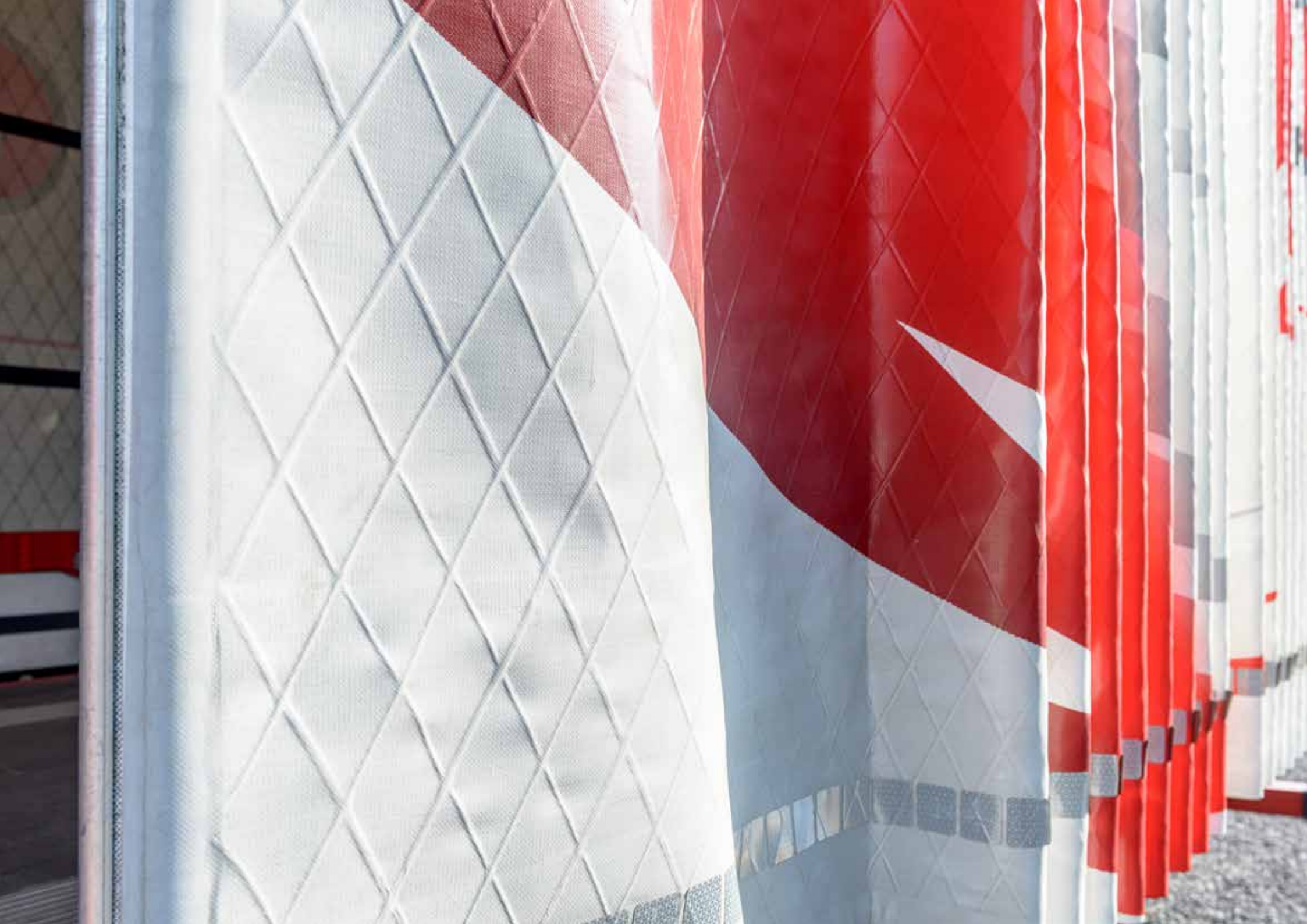


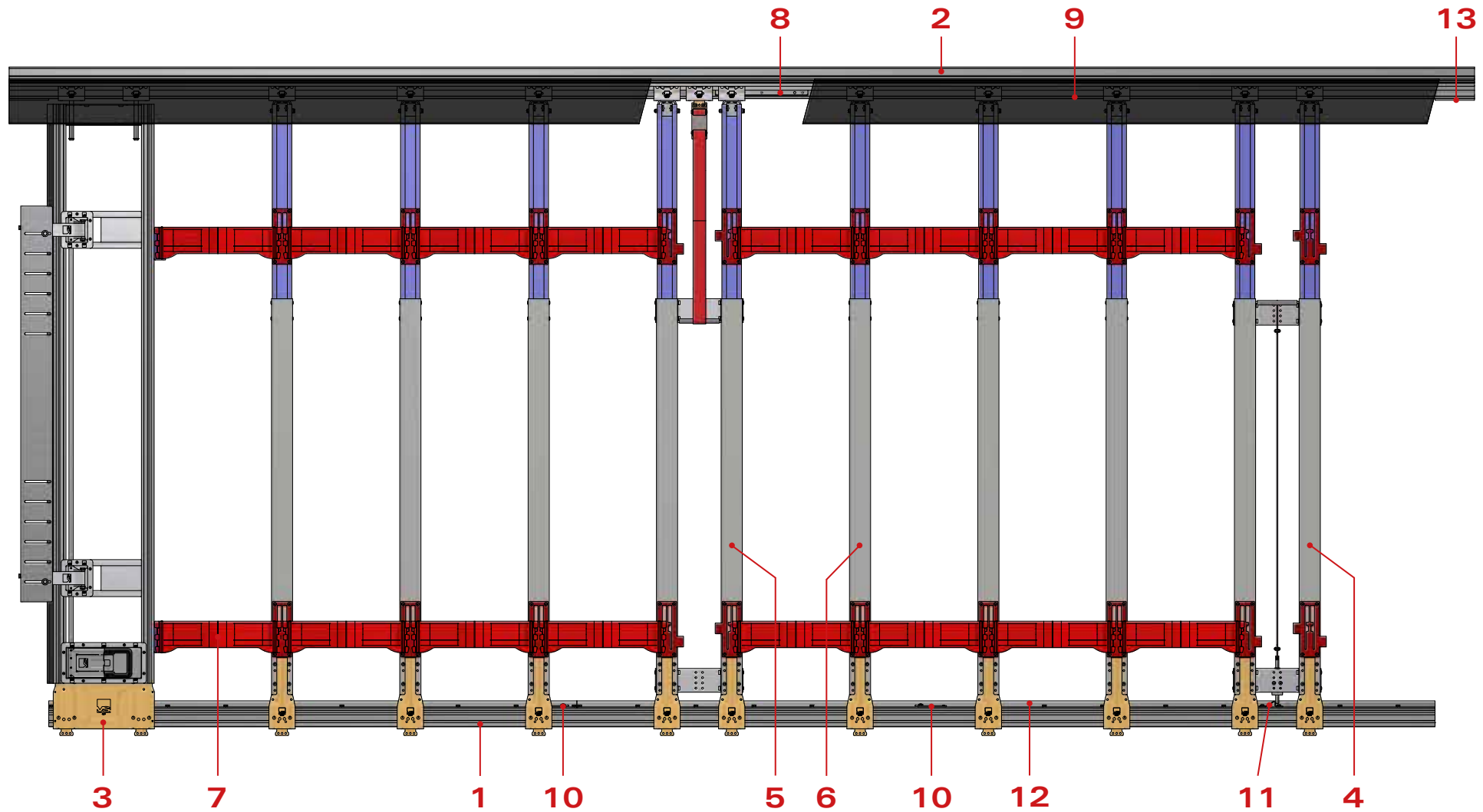
| Type of slider system | Page |
|------------------------------|------------|
| Penta Wave | 159 |
| Penta Wave SRL | 165 |
| Penta Wave Axces | 171 |
| Penta Wave SRL Axces | 177 |
| Penta Wave Mega Axces | 183 |
| Penta City | 189 |
| Penta City 100 | 191 |
| Penta City 200 | 197 |
| Penta City 300 | 203 |
| Penta Flex | 209 |



entw
sli sym



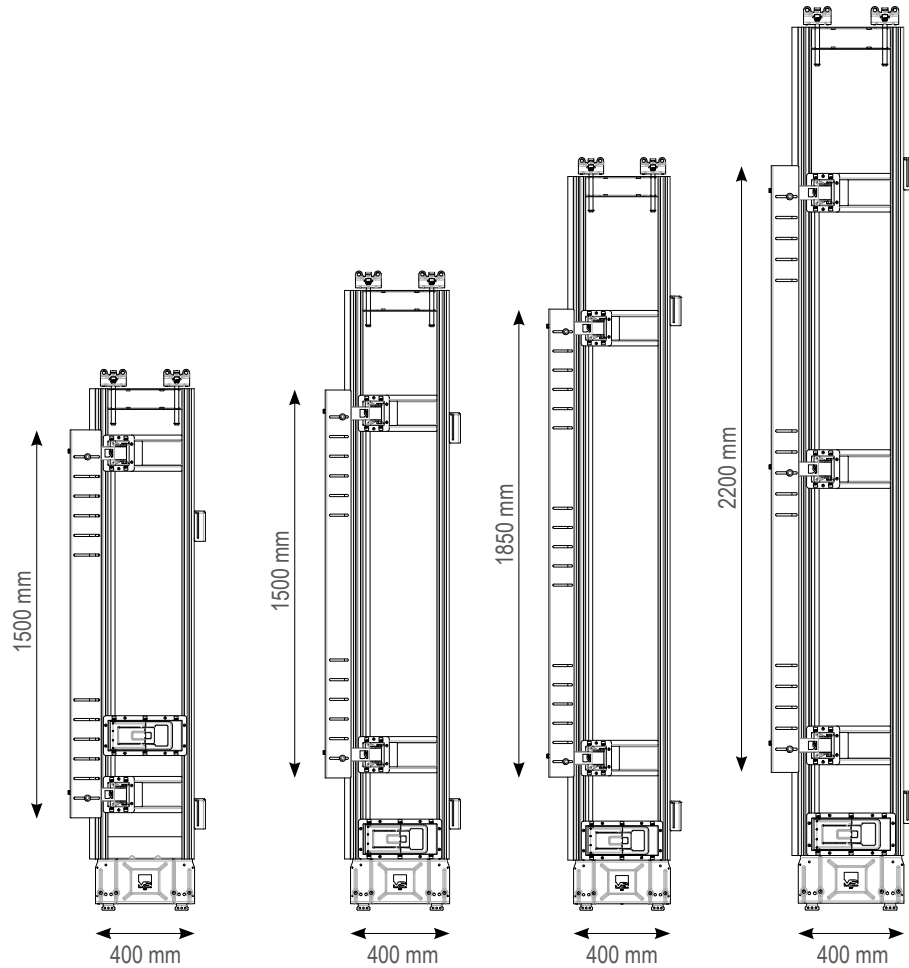




| | | | |
|----------|----------------------|------------|----------------------|
| 1 | Penta Wave rail (Al) | 8 | Set steel insert |
| 2 | Duo Penta rail (Al) | 9 | PVC pelmet |
| 3 | Quick lock door | 10 | Set door stopper |
| 4 | Basic door | 11 | Set locking nose |
| 5 | Pillar | 12 | Set steel protection |
| 6 | Mini pillar | 13 | Set mounting plates |
| 7 | Folding plate | 14* | Set fixation curtain |

* Not visible on the composition drawing above

3 Quick lock door



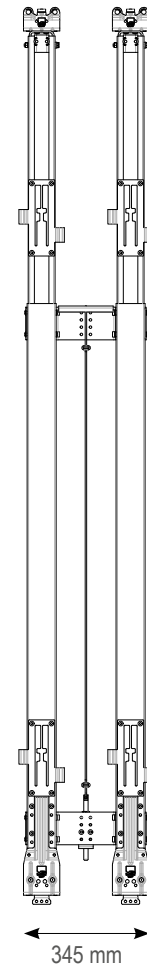
PART NR. **PART NR.** **PART NR.** **PART NR.**

| | | | | |
|----------|-----------|-----------|-----------|-----------|
| Left SA | 624-01112 | 624-01100 | 624-01101 | 624-01102 |
| Right SA | 624-01113 | 624-01103 | 624-01104 | 624-01105 |
| Left LA | 624-01114 | 624-01106 | 624-01107 | 624-01108 |
| Right LA | 624-01115 | 624-01109 | 624-01110 | 624-01111 |

Extra Small 1920-2170mm Small 2171-2420mm Medium 2421-2800mm Large 2801 -2950mm

Small arm (SA) = short hinge arm covering distance of 40 to 103mm
Large arm (LA) = long hinge arm covering distance of 103 to 190mm

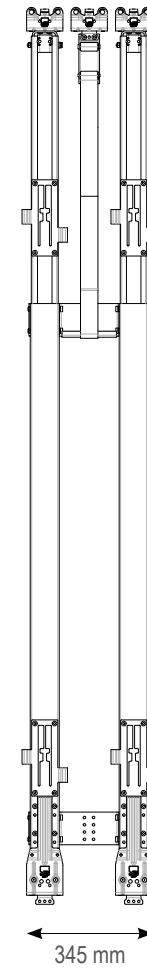
4 Basic door



PART NR.

| | |
|----|-----------|
| XS | 624-03023 |
| S | 624-03020 |
| M | 624-03021 |
| L | 624-03022 |

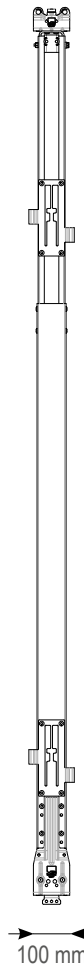
5 Pillar



PART NR.

| | |
|----|-----------|
| XS | 624-02027 |
| S | 624-02020 |
| M | 624-02021 |
| L | 624-02022 |

6 Mini pillar

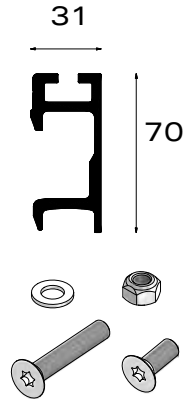


PART NR.

| | |
|----|-----------|
| XS | 624-04023 |
| S | 624-04020 |
| M | 624-04021 |
| L | 624-04022 |

Extra Small (XS) = aperture height between 1920 and 2170mm
Small (S) = aperture height between 2171 and 2420mm
Medium (M) = aperture height between 2421 and 2700mm
Large (L) = aperture height between 2701 and 2950mm

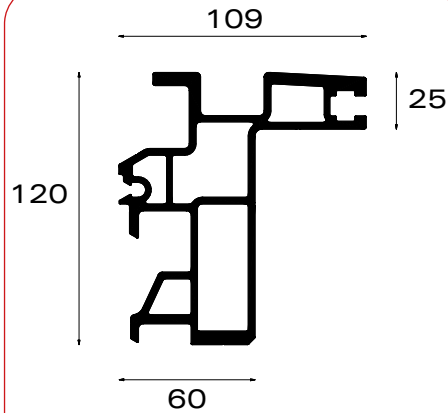
1 Penta Wave rail (Al)



PART NR.

Rail L = 7m 162-31700
Set (1set/m) 144-10126

2 Duo Penta rail (Al)

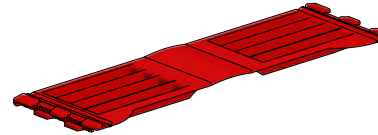


PART NR.

L = 5m 162-30500
L = 7,8m 162-30780
L = 8,5m 162-30850
* L = 10,5m 162-30105
* L = 13,6m 162-30136

*profile with pre-bending

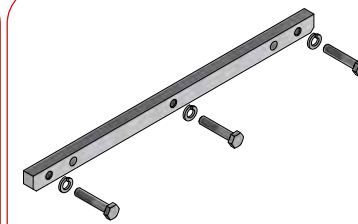
7 Folding plate



PART NR.

Type 400 242-01034
Type 470 242-01033
Type 500 242-01035
Type 570 242-01038
Type 600 242-01036
Type 650 242-01039

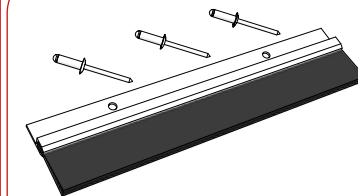
8 Set steel insert



PART NR.

Set 144-10119

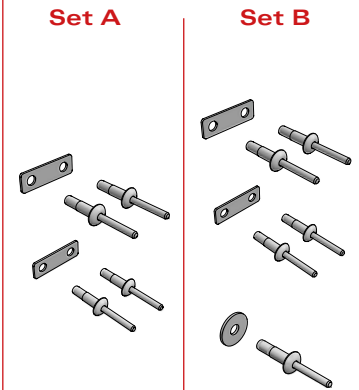
Brush seal QL door



PART NR.

Set 144-10157

14 Set fixation curtain



PART NR.

Set A 144-10144
Set B 144-10140

*1x Set A / mini pillar
1x Set A / basic door
2x Set A / pillar
1x Set B / QL-door

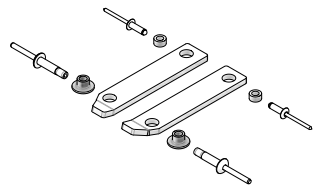
Velcro strap



PART NR.

L = 300mm 312-08001

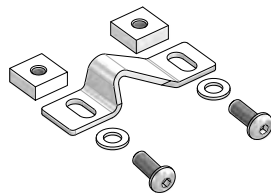
10 Set door stopper



PART NR.

Left 144-10122
Right 144-10123

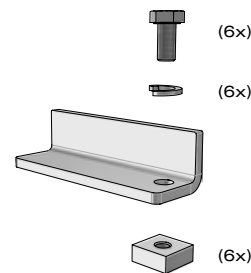
11 Set locking nose



PART NR.

Set 144-10146

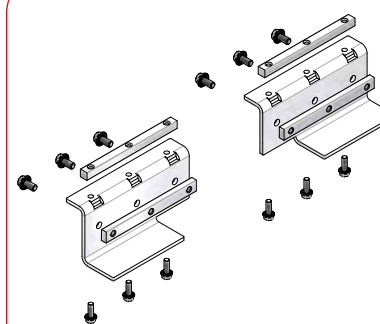
12 Set steel protection



PART NR.

Rail L = 2m 152-50002
Set (1/rail) 144-10116

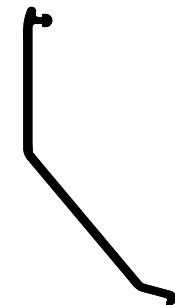
13 Set mounting plates



PART NR.

Set 154-03101

9 PVC pelmet



PART NR.

L = 9m (black) 242-12109
L = 14m (black) 242-12114



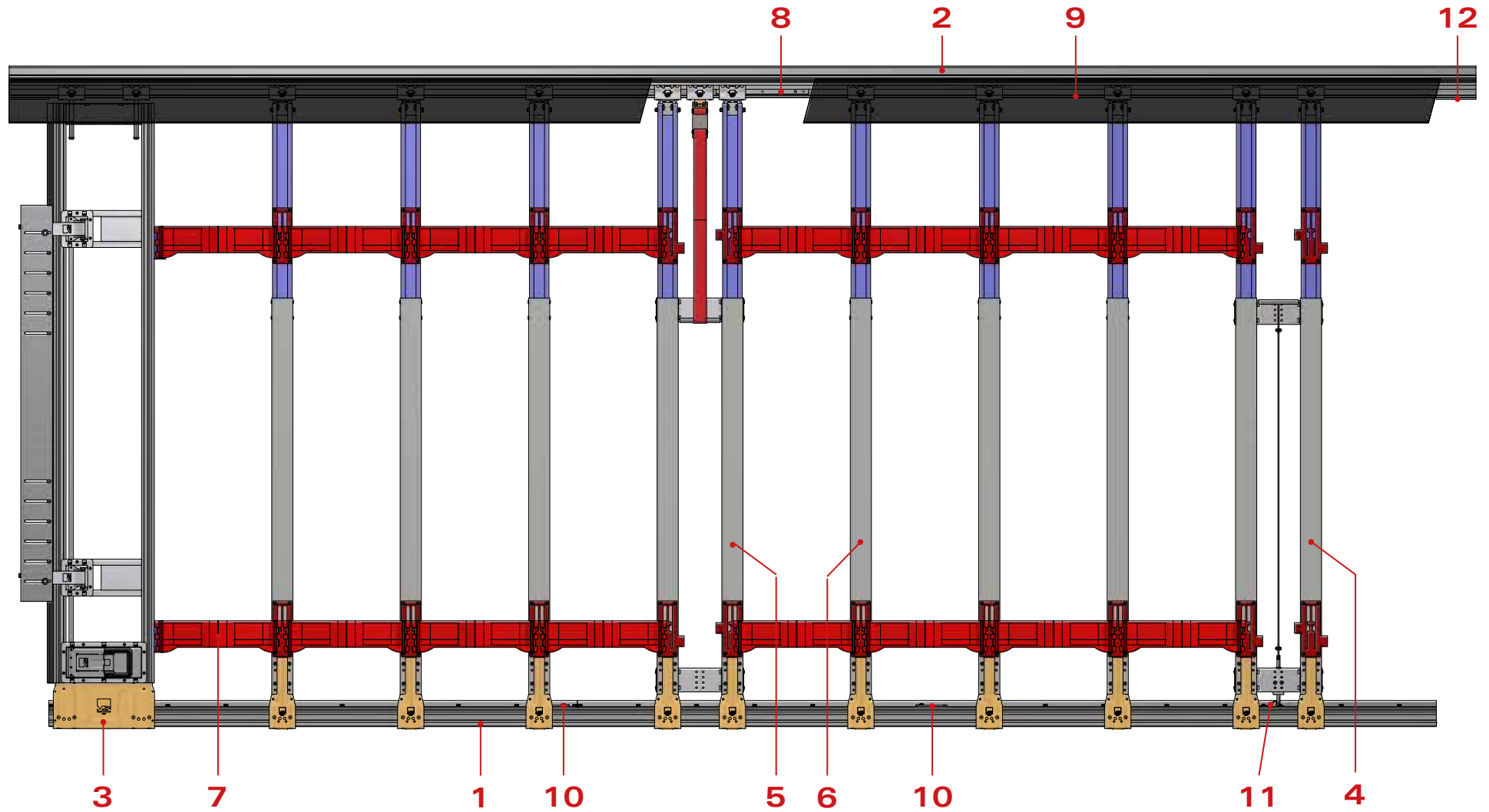
pentanave[®]
slørsterby vsus



pentawave *SRL* 

slider systems by versus



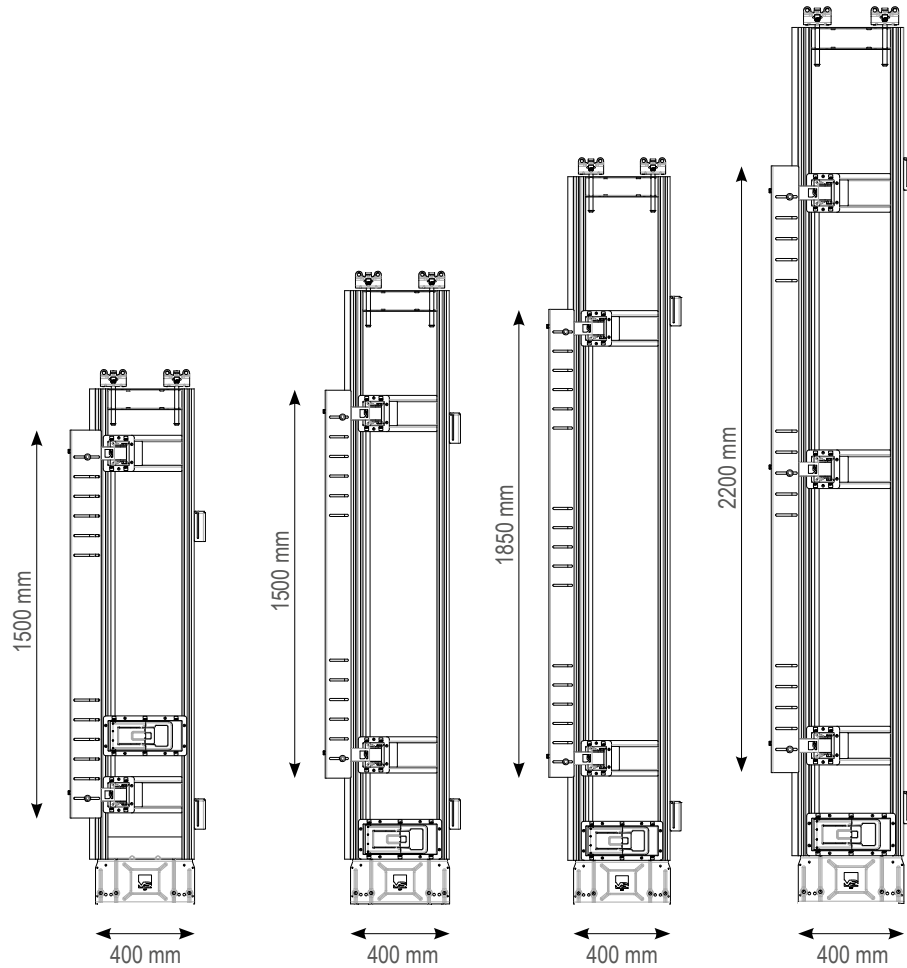


| | |
|----------|-----------------------|
| 1 | Penta Wave rail (RVS) |
| 2 | Duo Penta rail (Al) |
| 3 | Quick lock door |
| 4 | Basic door |
| 5 | Pillar |
| 6 | Mini pillar |
| 7 | Folding plate |

| | |
|------------|----------------------|
| 8 | Set steel insert |
| 9 | PVC pelmet |
| 10 | Set door stopper |
| 11 | Set locking nose |
| 12 | Set mounting plates |
| 13* | Set fixation curtain |

* Not visible on the composition drawing above.

3 Quick lock door



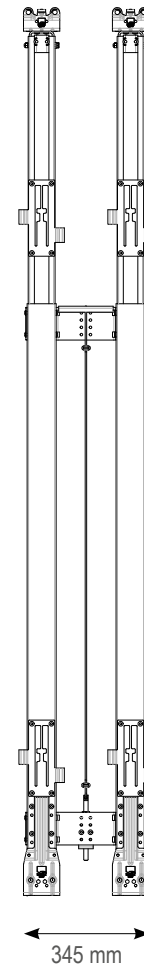
PART NR. **PART NR.** **PART NR.** **PART NR.**

| | | | | |
|----------|-----------|-----------|-----------|-----------|
| Left SA | 624-01212 | 624-01200 | 624-01201 | 624-01202 |
| Right SA | 624-01213 | 624-01203 | 624-01204 | 624-01205 |
| Left LA | 624-01214 | 624-01206 | 624-01207 | 624-01208 |
| Right LA | 624-01215 | 624-01209 | 624-01210 | 624-01211 |

Extra Small 1920-2170mm Small 2171-2420mm Medium 2421-2800mm Large 2801 -2950mm

Small arm (SA) = short hinge arm covering distance of 40 to 103mm
Large arm (LA) = long hinge arm covering distance of 103 to 190mm

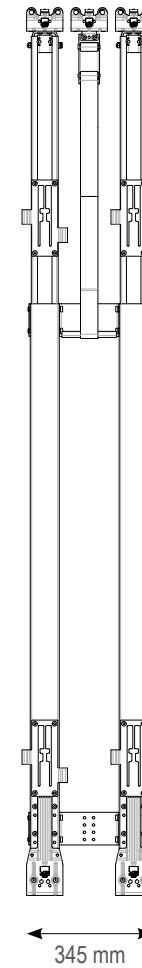
4 Basic door



PART NR.

| | |
|----|-----------|
| XS | 624-03223 |
| S | 624-03220 |
| M | 624-03221 |
| L | 624-03222 |

5 Pillar



PART NR.

| | |
|----|-----------|
| XS | 624-02227 |
| S | 624-02220 |
| M | 624-02221 |
| L | 624-02222 |

6 Mini pillar

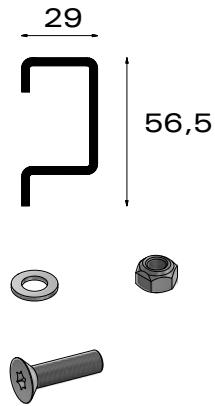


PART NR.

| | |
|----|-----------|
| XS | 624-04223 |
| S | 624-04220 |
| M | 624-04221 |
| L | 624-04222 |

Extra Small (XS) = aperture height between 1920 and 2170mm
Small (S) = aperture height between 2171 and 2420mm
Medium (M) = aperture height between 2421 and 2700mm
Large (L) = aperture height between 2701 and 2950mm

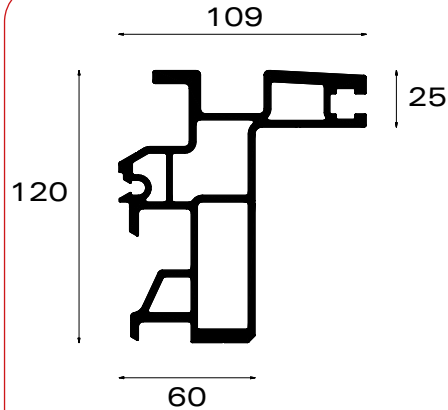
1 Penta Wave rail (RVS)



PART NR.

| | |
|--------------|-----------|
| Rail L = 3m | 162-44304 |
| Set (1/rail) | 144-10150 |

2 Duo Penta rail (Al)

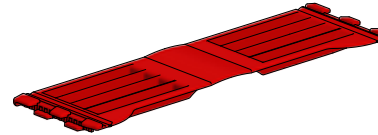


PART NR.

| | |
|-------------|-----------|
| L = 5m | 162-30500 |
| L = 7,8m | 162-30780 |
| L = 8,5m | 162-30850 |
| * L = 10,5m | 162-30105 |
| * L = 13,6m | 162-30136 |

*profile with pre-bending

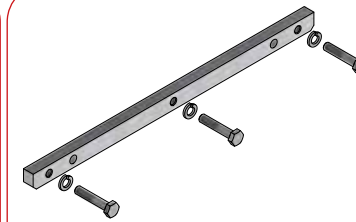
7 Folding plate



PART NR.

| | |
|----------|-----------|
| Type 400 | 242-01034 |
| Type 470 | 242-01033 |
| Type 500 | 242-01035 |
| Type 570 | 242-01038 |
| Type 600 | 242-01036 |
| Type 650 | 242-01039 |

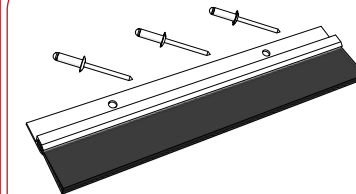
8 Set steel insert



PART NR.

Set 144-10119

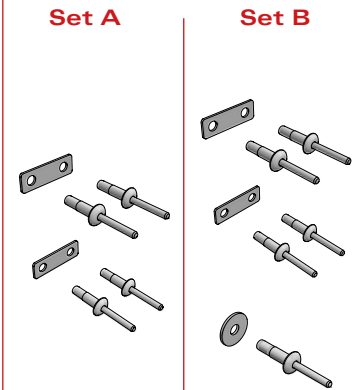
Brush seal QL door



PART NR.

Set 144-10157

13 Set fixation curtain



PART NR.

| | |
|-------|-----------|
| Set A | 144-10144 |
| Set B | 144-10140 |

*1x Set A / mini pillar
1x Set A / basic door
2x Set A / pillar
1x Set B / QL-door

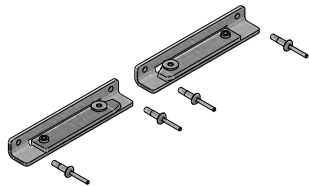
Velcro strap



PART NR.

L = 300mm 312-08001

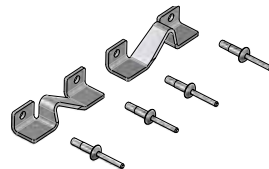
10 Set door stopper



PART NR.

| | |
|-------|-----------|
| Left | 144-10171 |
| Right | 144-10172 |

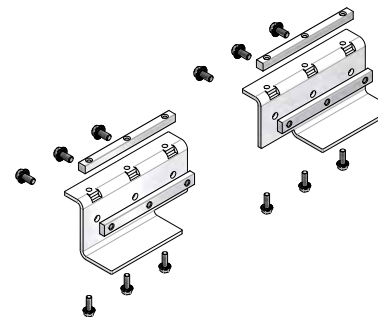
11 Set locking nose



PART NR.

| | |
|-------|-----------|
| Left | 144-10177 |
| Right | 144-10178 |

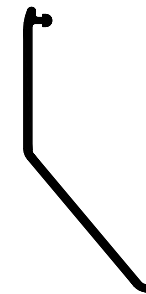
12 Set mounting plates



PART NR.

Set 154-03101

9 PVC pelmet



PART NR.

| | |
|-----------------|-----------|
| L = 9m (black) | 242-12109 |
| L = 14m (black) | 242-12114 |



pentanave®
slørsterby v/s

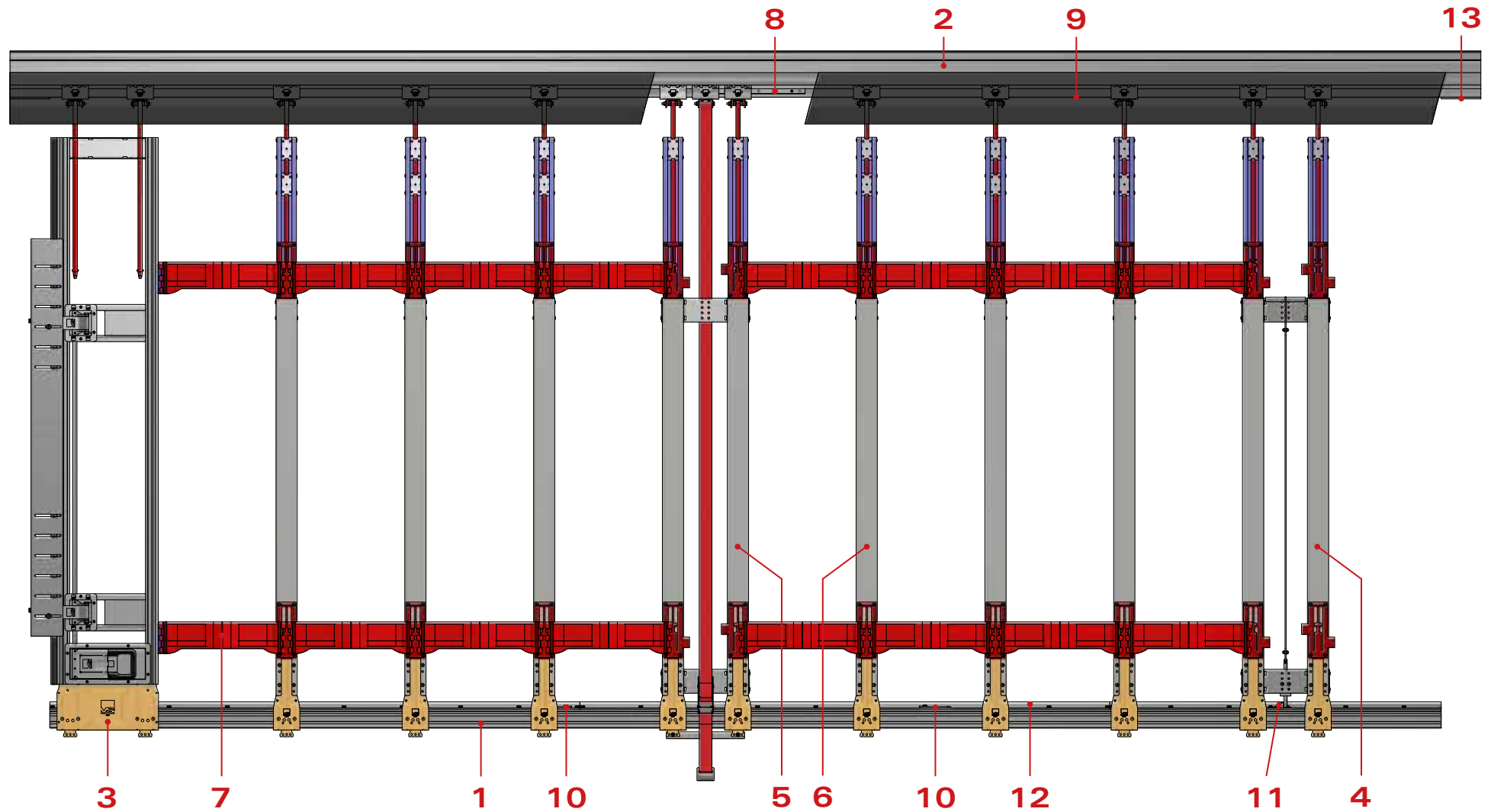


pentawave
slider systems by versus



axces
lifting systems

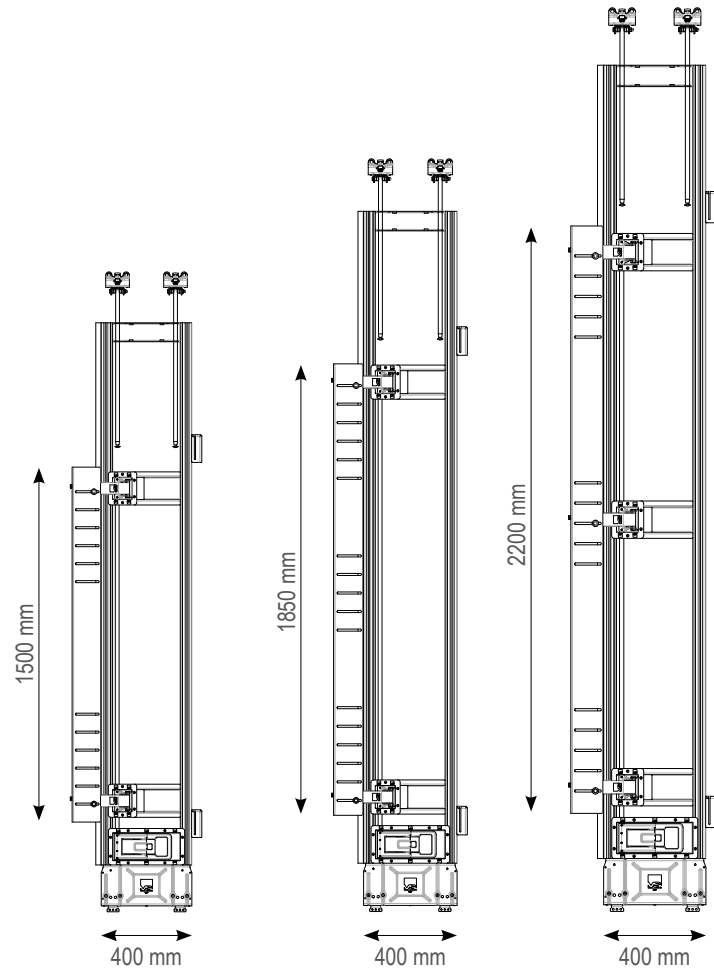




| | | | |
|----------|----------------------|------------|----------------------|
| 1 | Penta Wave rail (Al) | 8 | Set steel insert |
| 2 | Alto Penta rail (Al) | 9 | PVC pelmet |
| 3 | Quick lock door | 10 | Set door stopper |
| 4 | Basic door | 11 | Set locking nose |
| 5 | Pillar | 12 | Set steel protection |
| 6 | Mini pillar | 13 | Set mounting plates |
| 7 | Folding plate | 14* | Set fixation curtain |

* Not visible on the composition drawing above

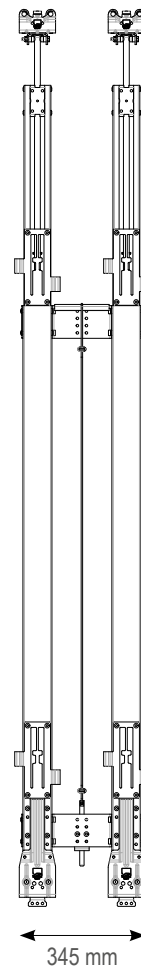
3 Quick lock door



PART NR. **PART NR.** **PART NR.**

| | | | |
|----------|----------------------|-----------------------|----------------------|
| Left SA | 624-01500 | 624-01501 | 624-01502 |
| Right SA | 624-01503 | 624-01504 | 624-01505 |
| Left LA | 624-01506 | 624-01507 | 624-01508 |
| Right LA | 624-01509 | 624-01510 | 624-01511 |
| | Small 2200-2480mm | Medium 2481-2800mm | Large 2801-2950mm |

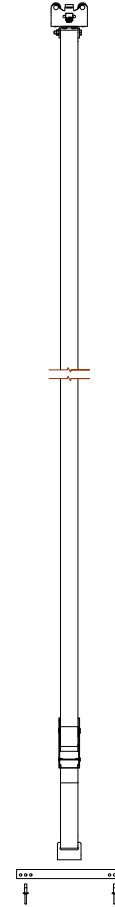
4 Basic door



PART NR.

| | |
|---|-----------|
| S | 624-03520 |
| M | 624-03521 |
| L | 624-03522 |

Set tension belt

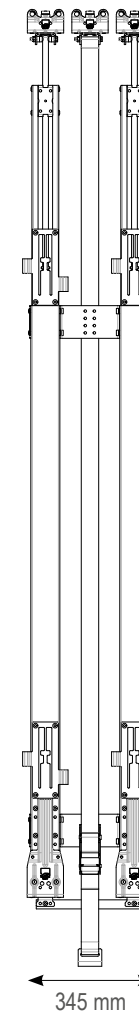


PART NR.

| | |
|-----|-----------|
| Set | 144-10173 |
|-----|-----------|

* Used in basic door when no Quick lock door in front

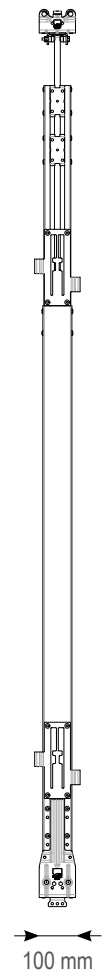
5 Pillar



PART NR.

| | |
|---|-----------|
| S | 624-02520 |
| M | 624-02521 |
| L | 624-02522 |

6 Mini pillar



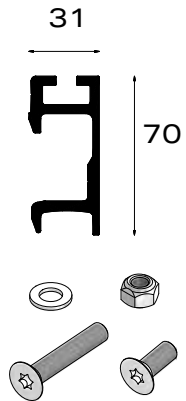
PART NR.

| | |
|---|-----------|
| S | 624-04520 |
| M | 624-04521 |
| L | 624-04522 |

Small arm (SA) = short hinge arm covering distance of 40 to 103mm
 Large arm (LA) = long hinge arm covering distance of 103 to 190mm

Small (S) = aperture height between 2200 and 2480mm
 Medium (M) = aperture height between 2481 and 2700mm
 Large (L) = aperture height between 2701 and 2950mm

1 Penta Wave rail (Al)



PART NR.

Rail L = 7m 162-31700
Set (1set/m) 144-10126

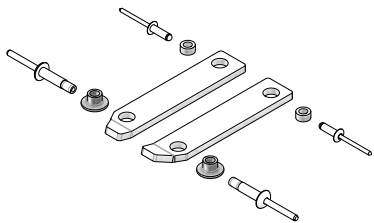
Velcro strap



PART NR.

L = 300mm 312-08001

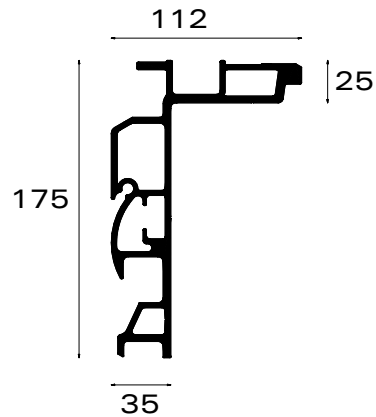
10 Set door stopper



PART NR.

Left 144-10122
Right 144-10123

2 Alto Penta rail (Al)

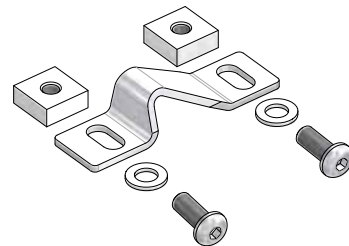


PART NR.

L = 7,8m 162-37780
L = 8,5m 162-37850
* L = 13,6m 162-37136

*profile with pre-bending

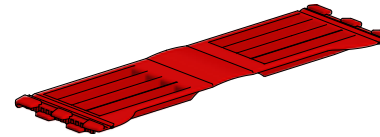
11 Set locking nose



PART NR.

Set 144-10146

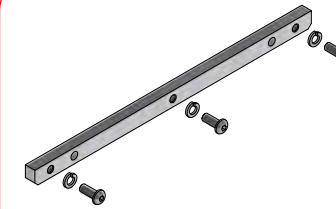
7 Folding plate



PART NR.

| | |
|----------|-----------|
| Type 400 | 242-01034 |
| Type 470 | 242-01033 |
| Type 500 | 242-01035 |
| Type 570 | 242-01038 |
| Type 600 | 242-01036 |
| Type 650 | 242-01039 |

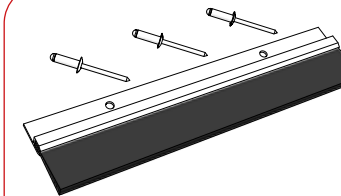
8 Set steel insert



PART NR.

Set 144-10119

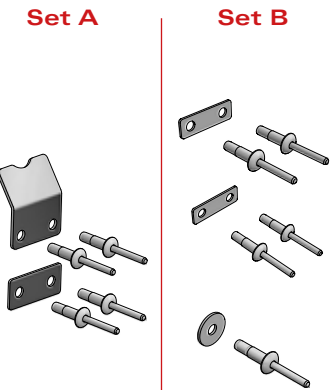
Brush seal QL door



PART NR.

Set 144-10157

14 Set fixation curtain

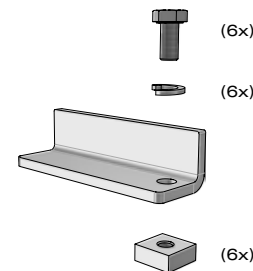


PART NR.

Set A 144-10145
Set B 144-10140

*1x Set A / mini pillar
1x Set A / basic door
2x Set A / pillar
1x Set B / QL-door

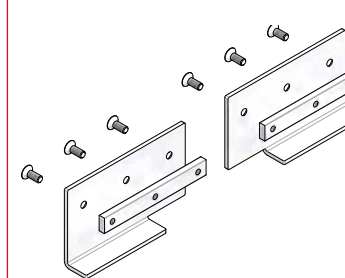
12 Set steel protection



PART NR.

Rail L = 2m 152-50002
Set (1/rail) 144-10116

13 Set mounting plates



PART NR.

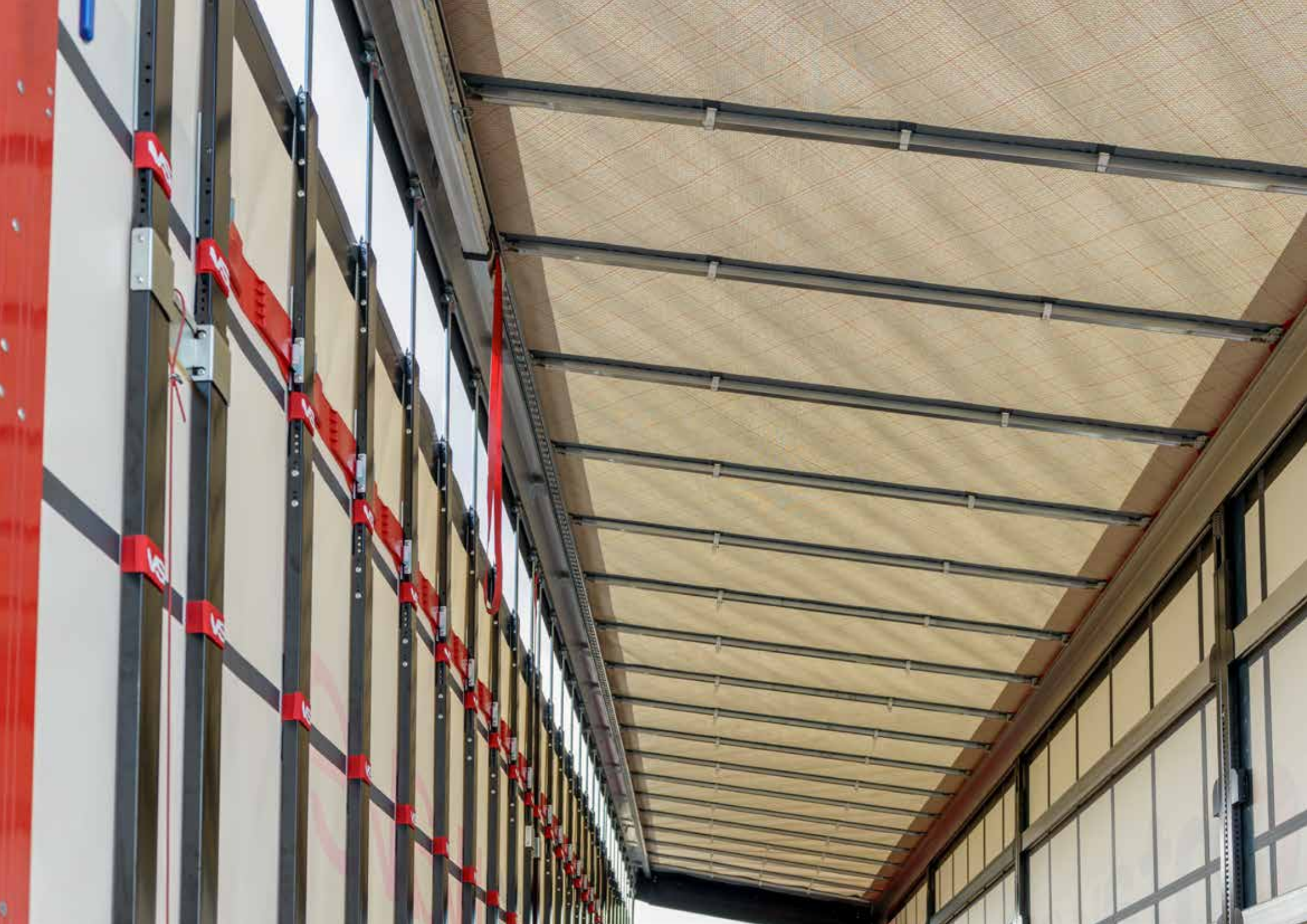
Set 154-03100

9 PVC pelmet (black)



PART NR.

L = 9m 242-16109
L = 14m 242-16114

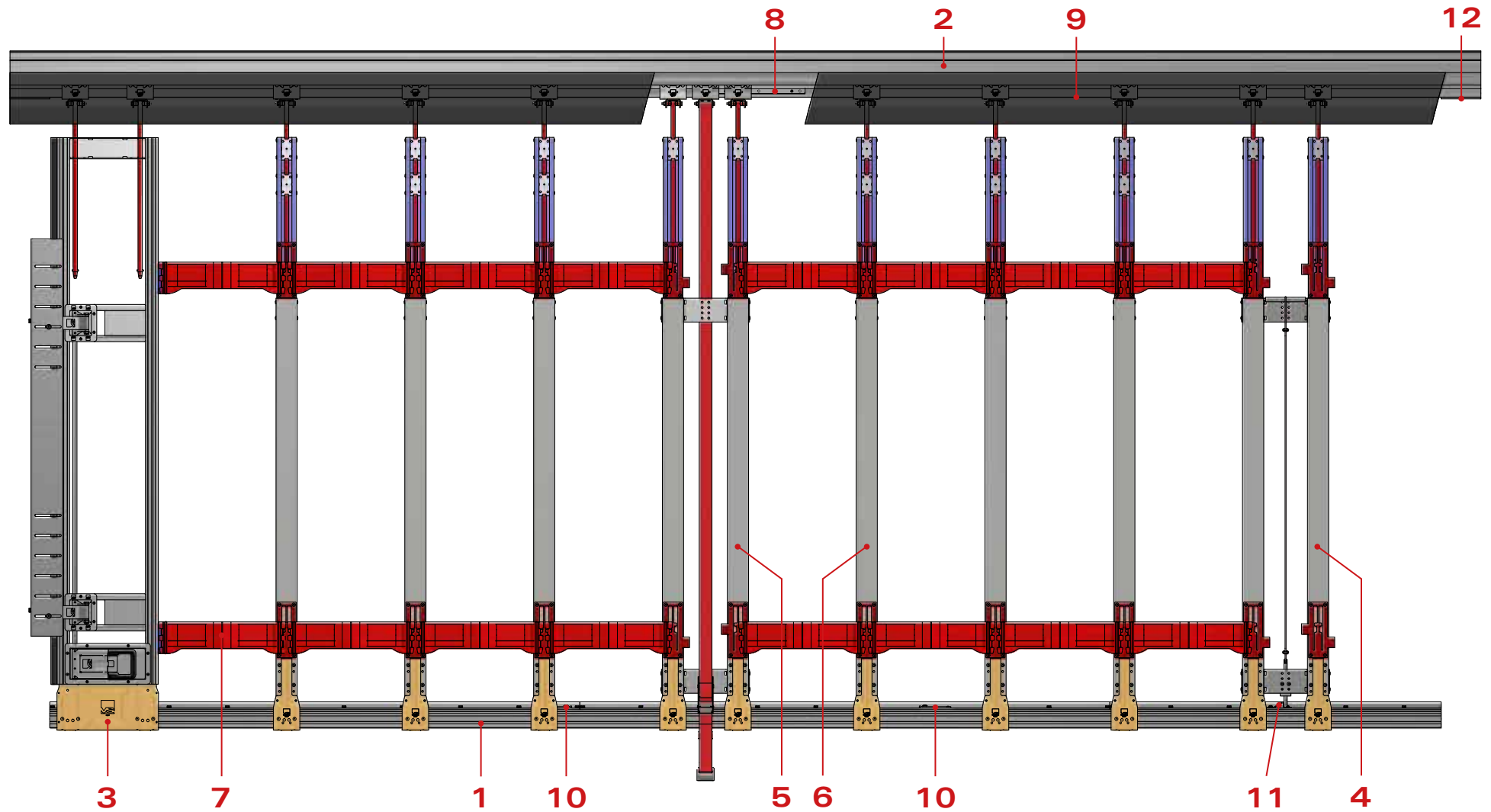


 **penta**wave *SRL* 
slider systems by versus

 **axces**
lifting systems



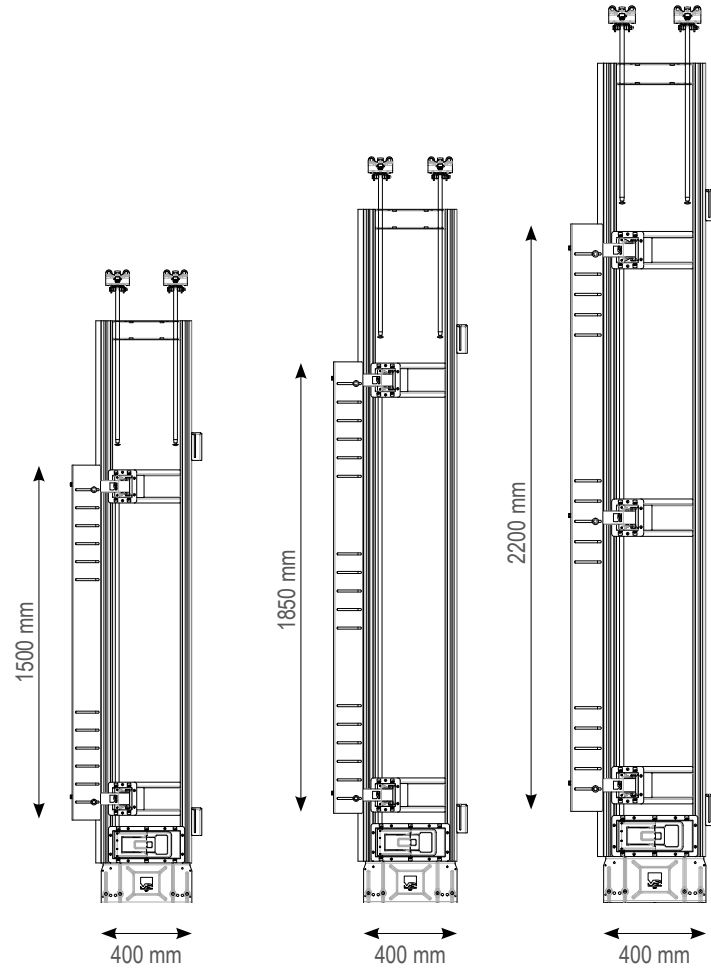
vs pentawave[®]
slider systems by versus



| | | | |
|----------|-----------------------|------------|----------------------|
| 1 | Penta Wave rail (RVS) | 8 | Set steel insert |
| 2 | Alto Penta rail (Al) | 9 | PVC pelmet |
| 3 | Quick lock door | 10 | Set door stopper |
| 4 | Basic door | 11 | Set locking nose |
| 5 | Pillar | 12 | Set mounting plates |
| 6 | Mini pillar | 13* | Set fixation curtain |
| 7 | Folding plate | | |

* Not visible on the composition drawing above

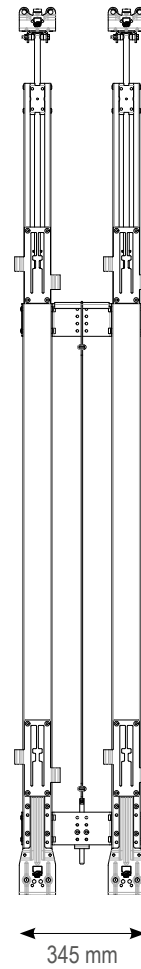
3 Quick lock door



PART NR. **PART NR.** **PART NR.**

| | | | |
|----------|----------------------|-----------------------|----------------------|
| Left SA | 624-01300 | 624-01301 | 624-01302 |
| Right SA | 624-01303 | 624-01304 | 624-01305 |
| Left LA | 624-01306 | 624-01307 | 624-01308 |
| Right LA | 624-01309 | 624-01310 | 624-01311 |
| | Small 2200-2480mm | Medium 2481-2800mm | Large 2801-2950mm |

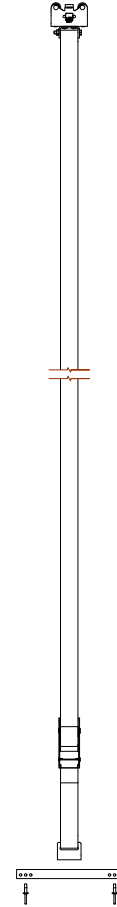
4 Basic door



PART NR.

| | |
|---|-----------|
| S | 624-03320 |
| M | 624-03321 |
| L | 624-03322 |

Set tension belt

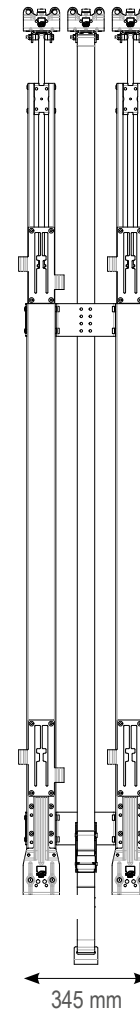


PART NR.

| | |
|-----|-----------|
| Set | 144-10173 |
|-----|-----------|

* Used in basic door when no Quick lock door in front

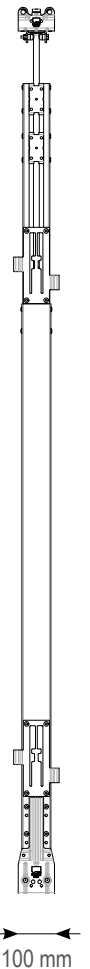
5 Pillar



PART NR.

| | |
|---|-----------|
| S | 624-02320 |
| M | 624-02321 |
| L | 624-02322 |

6 Mini pillar



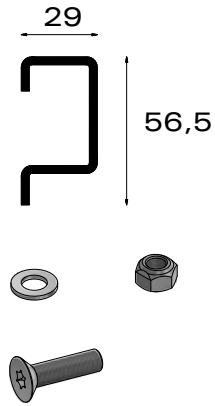
PART NR.

| | |
|---|-----------|
| S | 624-04320 |
| M | 624-04321 |
| L | 624-04322 |

Small arm (SA) = short hinge arm covering distance of 40 to 103mm
 Large arm (LA) = long hinge arm covering distance of 103 to 190mm

Small (S) = aperture height between 2200 and 2480mm
 Medium (M) = aperture height between 2481 and 2700mm
 Large (L) = aperture height between 2701 and 2950mm

1 Penta Wave rail (RVS)



PART NR.

| | |
|--------------|-----------|
| Rail L = 3m | 162-44304 |
| Set (1/rail) | 144-10150 |

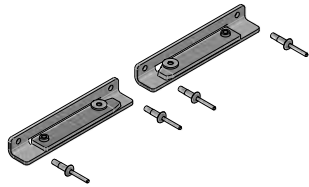
Velcro strap



PART NR.

| | |
|-----------|-----------|
| L = 300mm | 312-08001 |
|-----------|-----------|

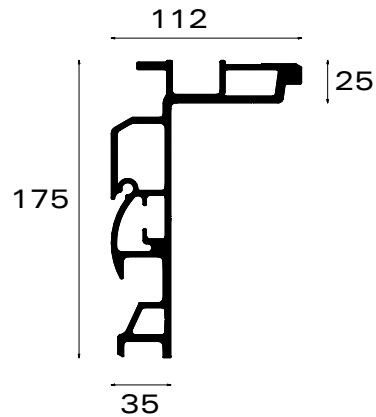
10 Set door stopper



PART NR.

| | |
|-------|-----------|
| Left | 144-10171 |
| Right | 144-10172 |

2 Alto Penta rail (Al)

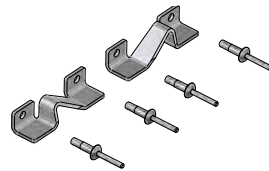


PART NR.

| | |
|-------------|-----------|
| L = 7,8m | 162-37780 |
| L = 8,5m | 162-37850 |
| * L = 13,6m | 162-37136 |

*profile with pre-bending

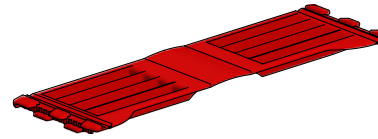
11 Set locking nose



PART NR.

| | |
|-------|-----------|
| Left | 144-10177 |
| Right | 144-10178 |

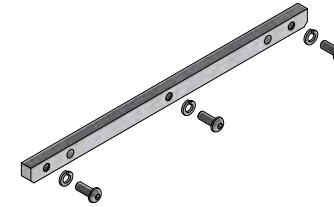
7 Folding plate



PART NR.

| | |
|----------|-----------|
| Type 400 | 242-01034 |
| Type 470 | 242-01033 |
| Type 500 | 242-01035 |
| Type 570 | 242-01038 |
| Type 600 | 242-01036 |
| Type 650 | 242-01039 |

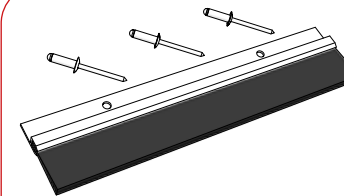
8 Set steel insert



PART NR.

| | |
|-----|-----------|
| Set | 144-10119 |
|-----|-----------|

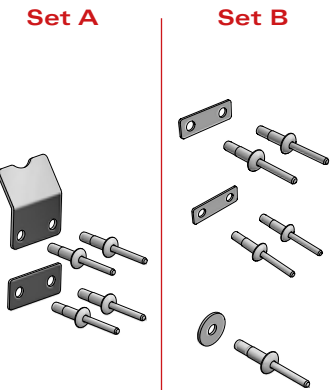
Brush seal QL door



PART NR.

| | |
|-----|-----------|
| Set | 144-10157 |
|-----|-----------|

14 Set fixation curtain

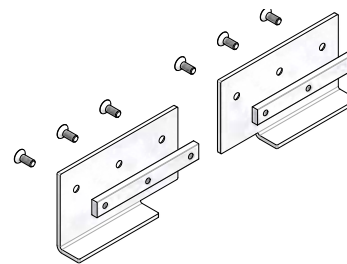


PART NR.

| | |
|-------|-----------|
| Set A | 144-10145 |
| Set B | 144-10140 |

*1x Set A / mini pillar
1x Set A / basic door
2x Set A / pillar
1x Set B / QL-door

13 Set mounting plates



PART NR.

| | |
|-----|-----------|
| Set | 154-03100 |
|-----|-----------|

9 PVC pelmet (black)



PART NR.

| | |
|---------|-----------|
| L = 9m | 242-16109 |
| L = 14m | 242-16114 |



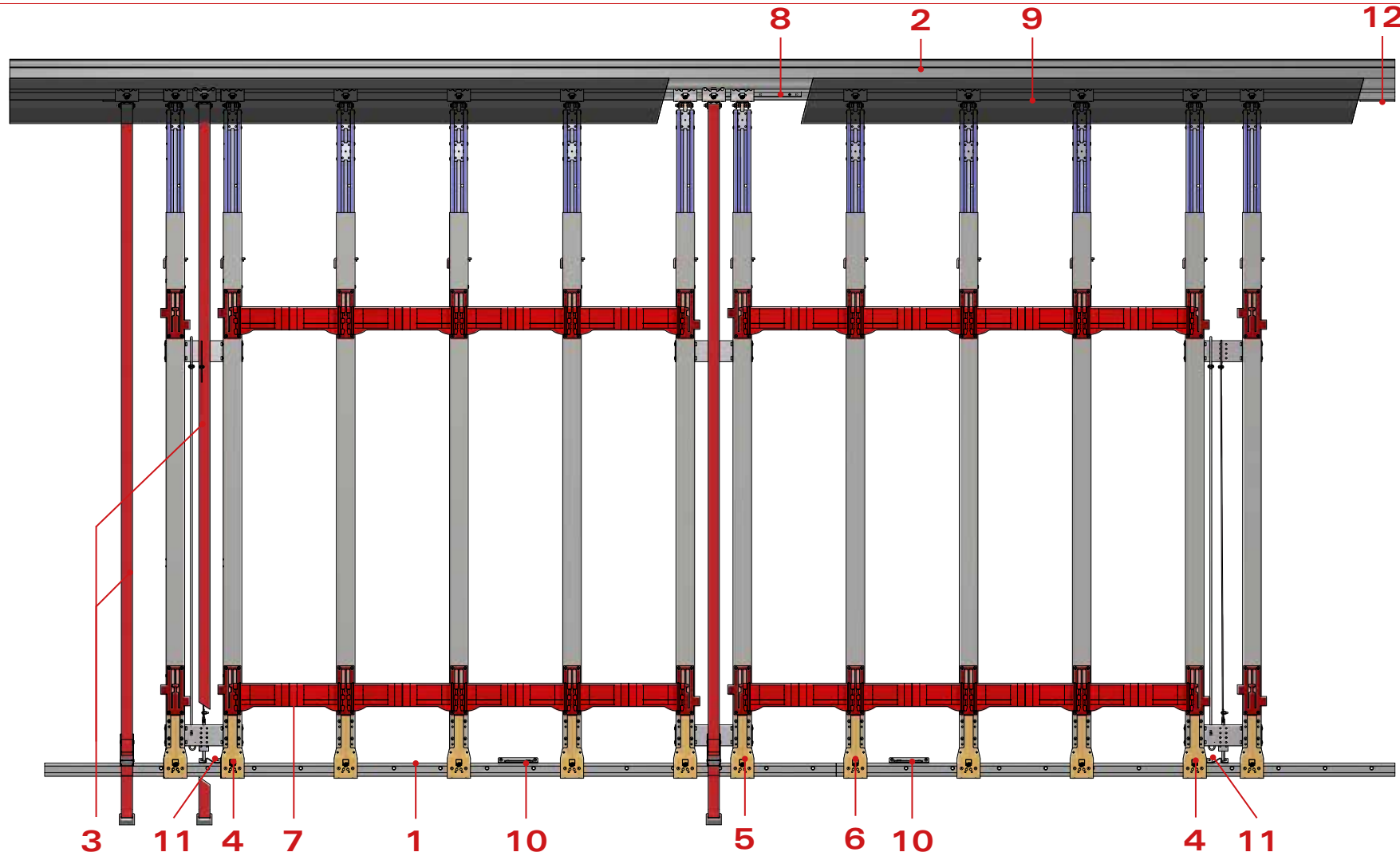


pentawave
slider systems by versus



megaaxces
lifting systems by versus





| | |
|---|----------------------|
| 1 | Penta Wave rail (SS) |
| 2 | Alto Penta rail (Al) |
| 3 | Set tension belt |
| 4 | Basic door |
| 5 | Pillar |
| 6 | Mini pillar |
| 7 | Folding plate |

| | |
|-----|----------------------|
| 8 | Set steel insert |
| 9 | PVC pelmet |
| 10 | Set door stopper |
| 11 | Set locking nose |
| 12 | Set mounting plates |
| 13* | Set fixation curtain |

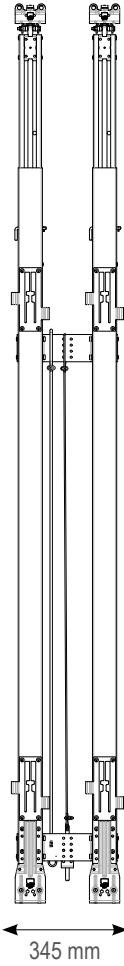
* Not visible on the composition drawing above

3 Set tension belt



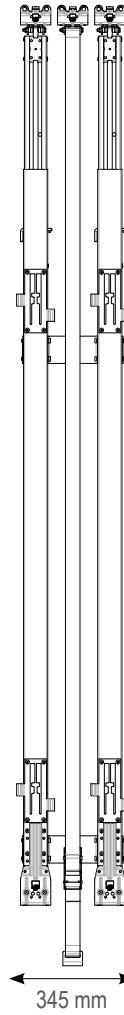
PART NR.
144-10173
2x / system

4 Basic door



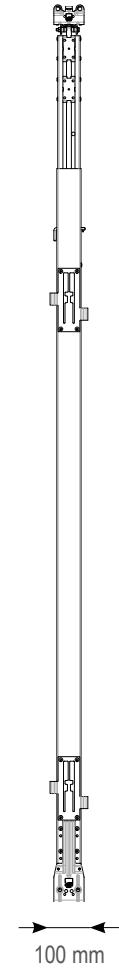
PART NR.
624-03100

5 Pillar



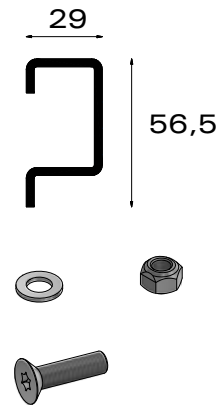
PART NR.
624-02100

6 Mini pillar



PART NR.
624-04100

1 Penta Wave rail (SS)

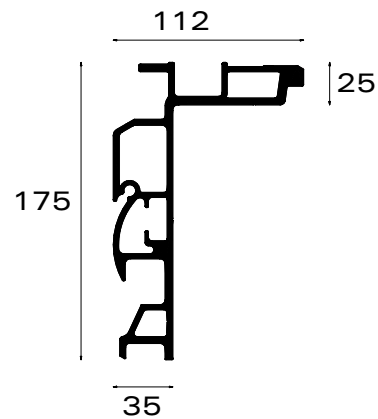


PART NR.

| | |
|--------------|-----------|
| Rail L = 3m | 162-44304 |
| Set (1/rail) | 144-10150 |

*stainless steel rail

2 Alto Penta rail (Al)

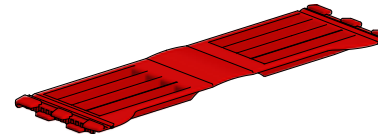


PART NR.

| | |
|-------------|-----------|
| L = 7,8m | 162-37780 |
| L = 8,5m | 162-37850 |
| * L = 13,6m | 162-37136 |

*profile with pre-bending & milling

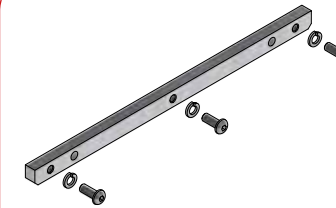
7 Folding plate



PART NR.

| | |
|----------|-----------|
| Type 400 | 242-01034 |
| Type 470 | 242-01033 |
| Type 500 | 242-01035 |
| Type 570 | 242-01038 |
| Type 600 | 242-01036 |
| Type 650 | 242-01039 |

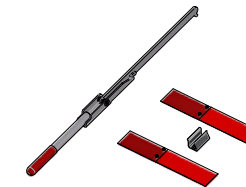
8 Set steel insert



PART NR.

Set 144-10119

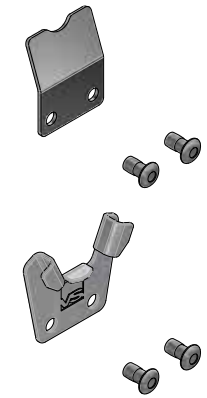
Set operating lever



PART NR.

Set 144-10180

13 Set fixation curtain



PART NR.

Set 144-10163

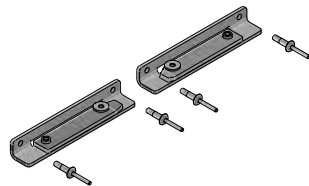
Velcro strap



PART NR.

L = 300mm 312-08001

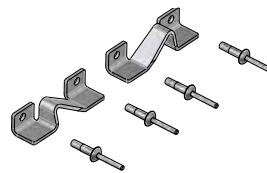
10 Set door stopper



PART NR.

| | |
|-------|-----------|
| Left | 144-10171 |
| Right | 144-10172 |

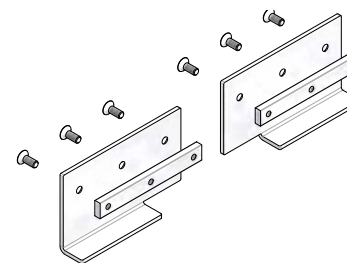
11 Set locking nose



PART NR.

| | |
|-------|-----------|
| Left | 144-10177 |
| Right | 144-10178 |

12 Set mounting plates



PART NR.

Set 154-03100

9 PVC pelmet (black)



PART NR.

| | |
|---------|-----------|
| L = 9m | 242-16109 |
| L = 14m | 242-16114 |



vs pentacity[®]
slider systems by versus

quick and safe through town





ไทยเบฟเวอเรจ โลจิสติก

a member of Thai Beverage ThaiBev

TBL

Thai Beverage Logistics

EVM 240 TBL





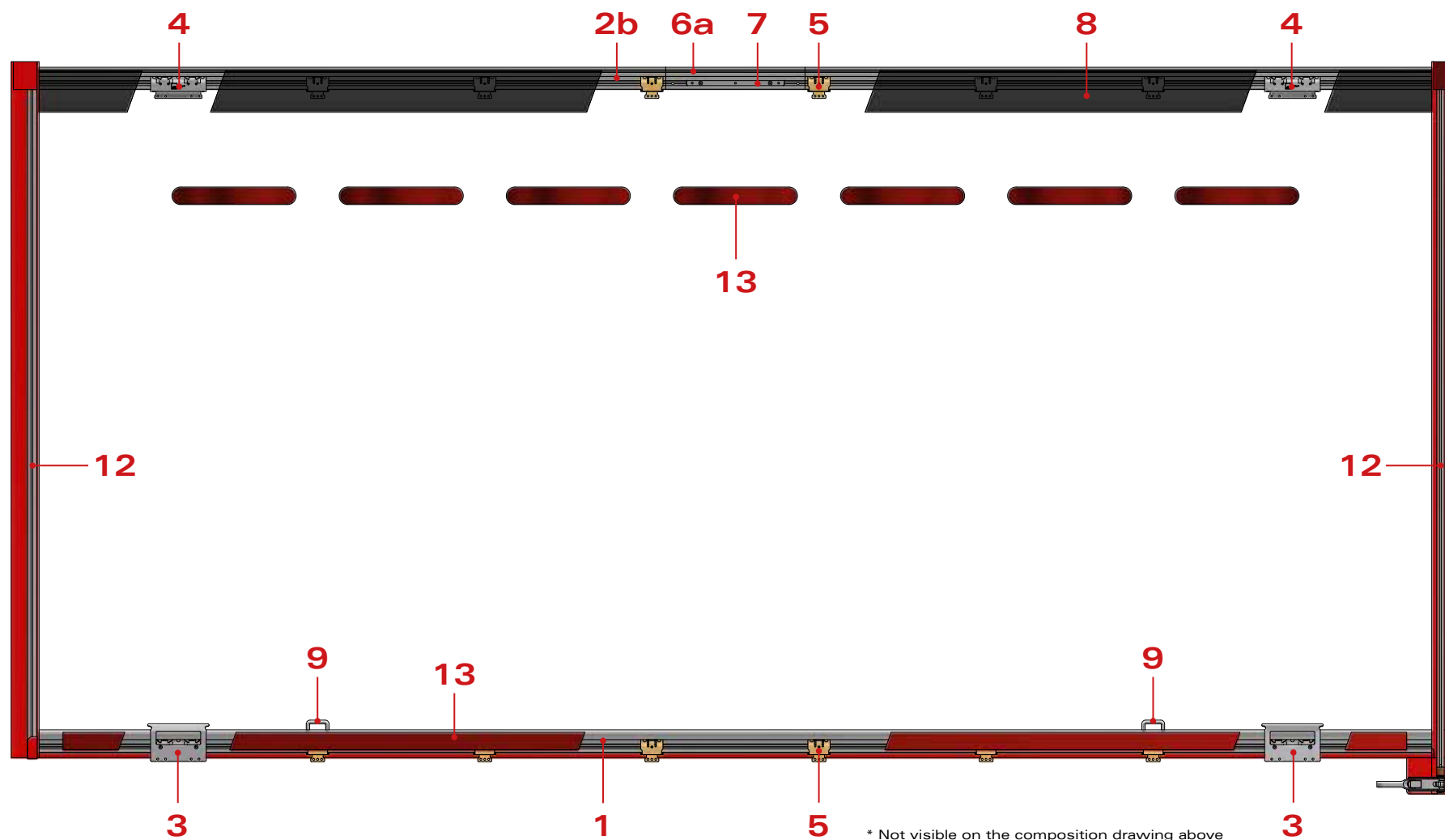
Assurance Interim

TBL

The Beverage Logistics

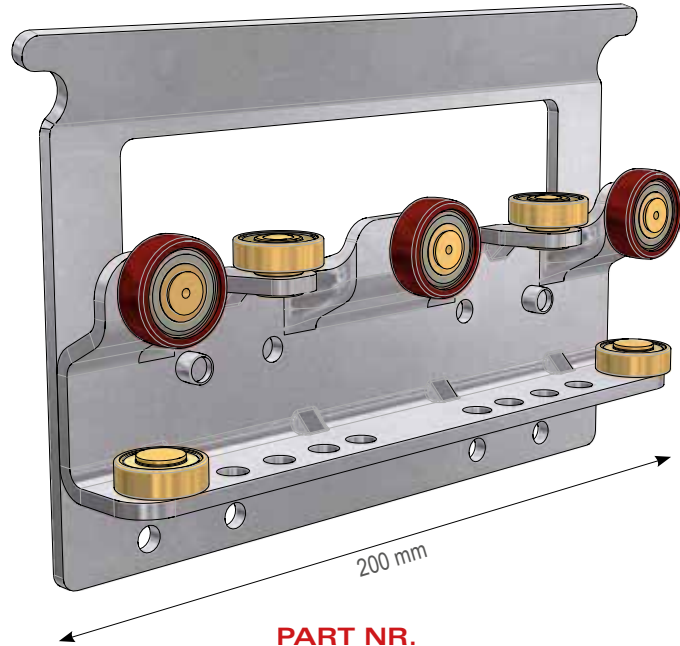
TBL

The Beverage Logistics



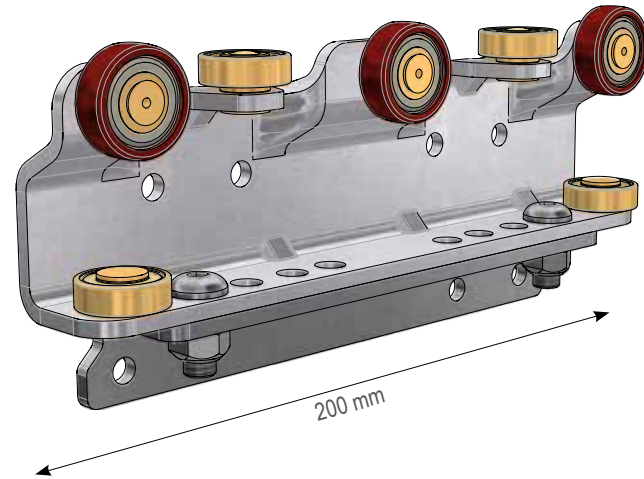
| | | | |
|------------|-----------------------------|------------|------------------------|
| 1 | Penta City rail type B (Al) | 6b* | Rail insert Solo Penta |
| 2a* | Duo Penta rail (Al) | 7 | Set steel insert |
| 2b | Penta City rail (Al) | 8 | PVC pelmet |
| 2c* | Solo Penta rail (Al) | 9 | Set door stopper |
| 3 | P200 roller (bottom) | 10* | Set fixation curtain |
| 4 | P200 roller (top) | 11* | Set mounting plates |
| 5 | Penta City roller | 12 | Tension tube & ratchet |
| 6a | Rail insert Penta City | 13 | PP band |

3 P200 roller (bottom)



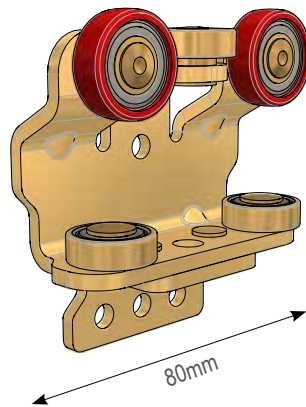
PART NR.
614-05004

4 P200 roller (top)



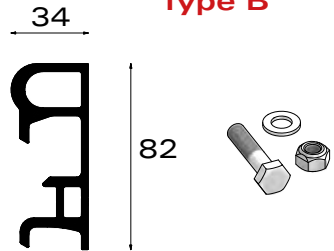
PART NR.
614-05005

5 Penta City roller



PART NR.
284-50020

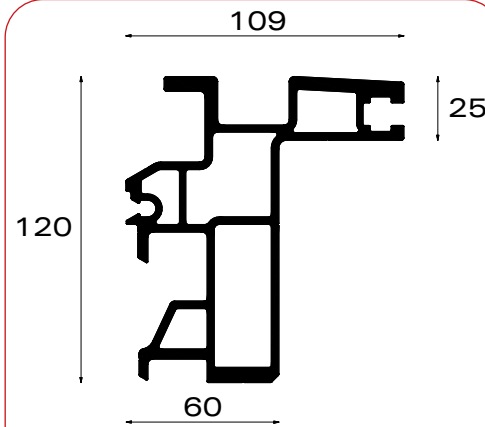
**1 Penta City rail (Al)
Type B**



PART NR.

Rail L = 7m 162-40700
Set (1set/m) 144-10129

2a Duo Penta rail (Al)

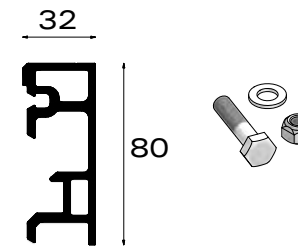


PART NR.

L = 5m 162-30500
L = 7,8m 162-30780
L = 8,5m 162-30850
* L = 10,5m 162-30105
* L = 13,6m 162-30136

*Profile with pre-bending & milling

2b Penta City rail (Al)

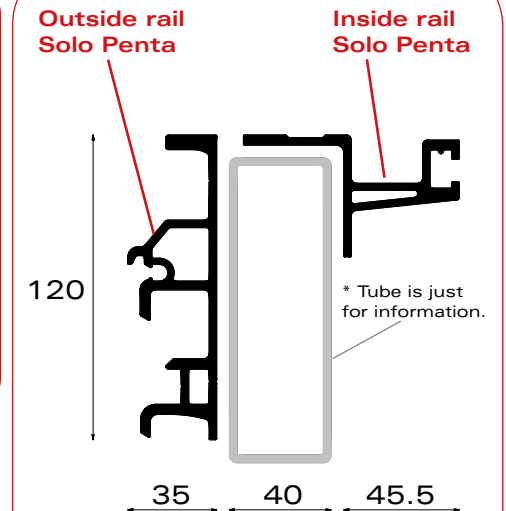


PART NR.

Rail L = 7m 162-29700
Set (1set/m) 144-10129

*Use this rail with a steel frame

2c Solo Penta rail (Al)



PART NR.

Rail (out) L = 7,8m 162-41780
Rail (out) L = 8,5m 162-41850
Rail (in) L = 7,8m 162-43780
Rail (in) L = 8,5m 162-43850

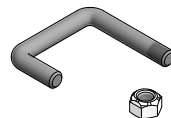
8 PVC pelmet (black)



PART NR.

L = 9m 242-02109
L = 14m 242-02114

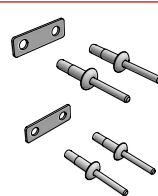
9 Set door stopper



PART NR.

144-10143

10 Set fix. curtain

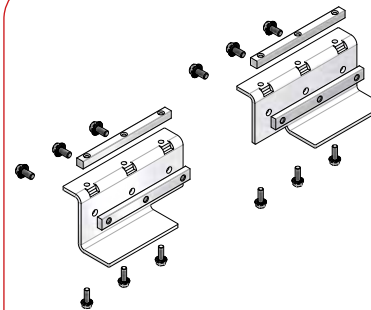


PART NR.

Set 144-10144

1 set / 2 Penta City rollers

11 Set mounting plates



PART NR.

Set 154-03101

* Only for Al rail Duo Penta

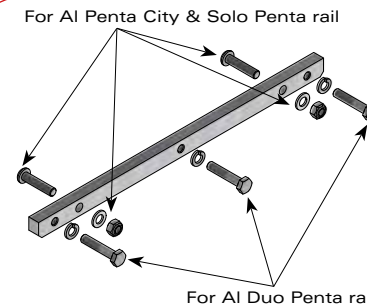
6a Rail insert Penta City



PART NR.

L = 0,5m 162-29005

7 Set steel insert



PART NR.

Set 144-10119

6b Rail insert Solo Penta



PART NR.

L = 0,5m 162-41005

13 PP Band (red)



* The red PP band is mounted on the underside of the curtain.



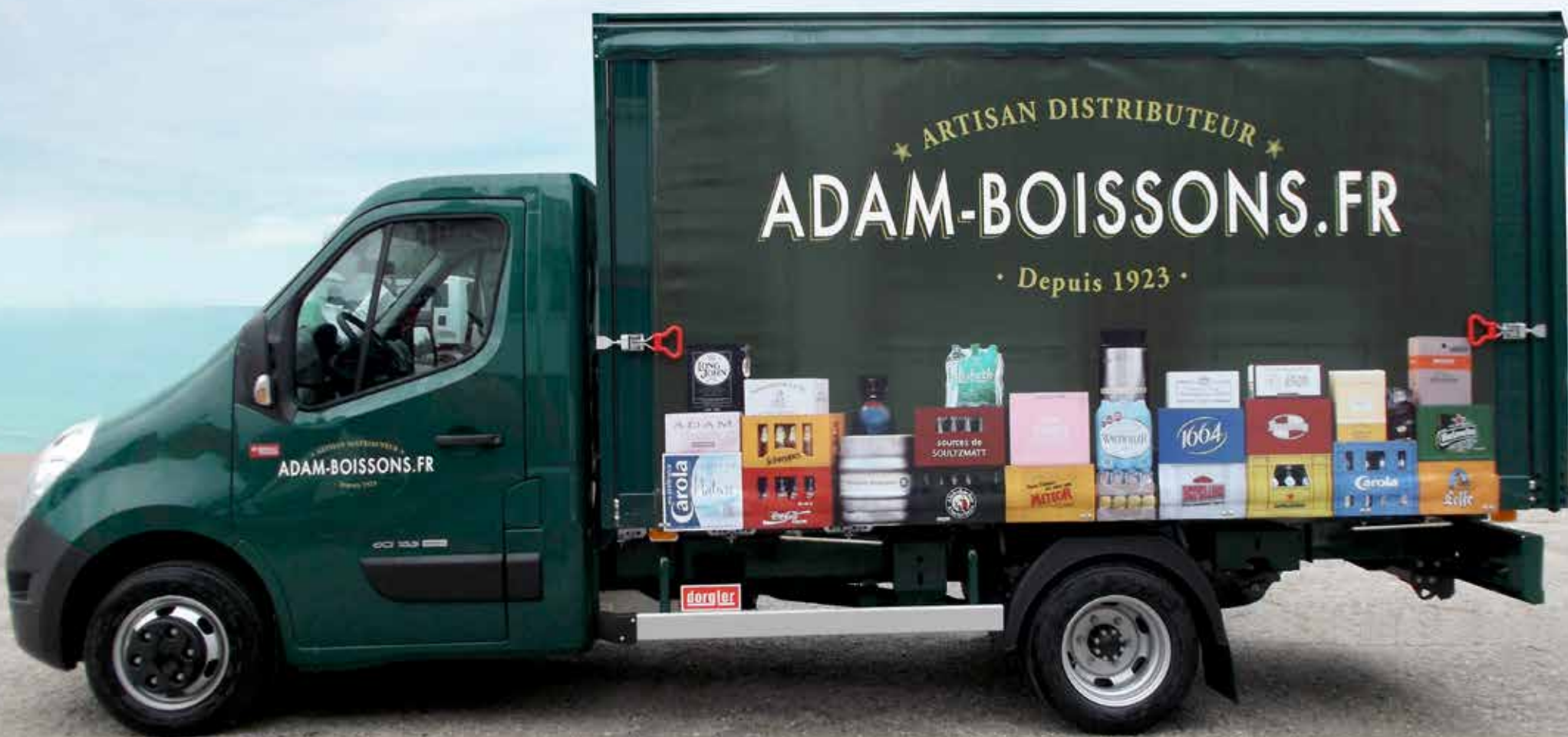
* The small red PP band is mounted on the top of the curtain.

PART NR.

L = 9m 242-06209

L = 14m 242-06214

L = 0,45m 242-06201



★ ARTISAN DISTRIBUTEUR ★

ADAM-BOISSONS.FR

• Depuis 1923 •

ADAM-BOISSONS.FR
Depuis 1923

dorger







JUS

SODAS

SIROPS

EAUX

BIÈRES

VINS

SPIRITUEUX

Pro
 Venez découvrir !
 Tasseigne
 Licketh
 Carola

Pro
 Vins & Spiritueux

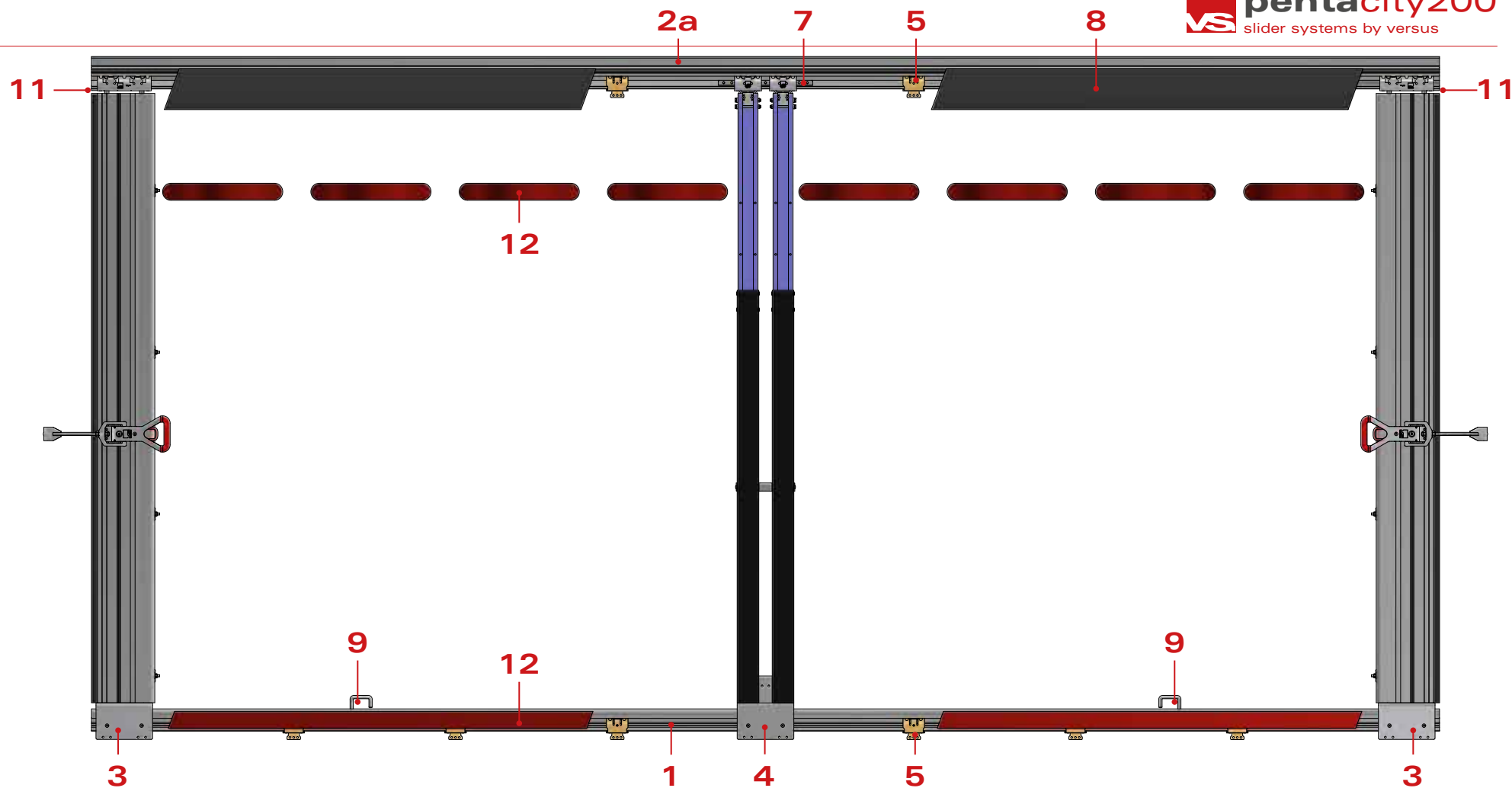
Pro
 De 300 whiskies !

03 88 08 88 18
 www.hobiere.com
 67140 BARR



DHOLLANDIA

domler

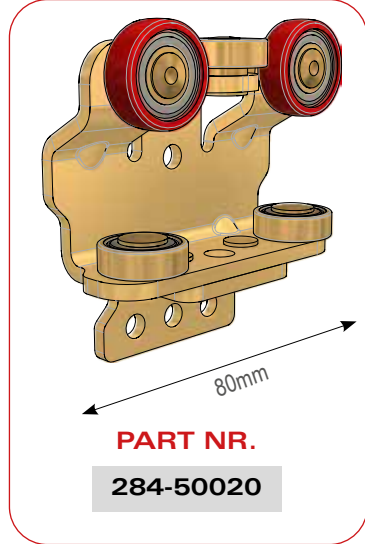


| | |
|------------|-----------------------------|
| 1 | Penta City rail type B (Al) |
| 2a | Duo Penta rail (Al) |
| 2b* | Penta City rail (Al) |
| 2c* | Solo Penta rail (Al) |
| 3 | Aluminium door |
| 4 | Pillar |
| 5 | Penta City roller |

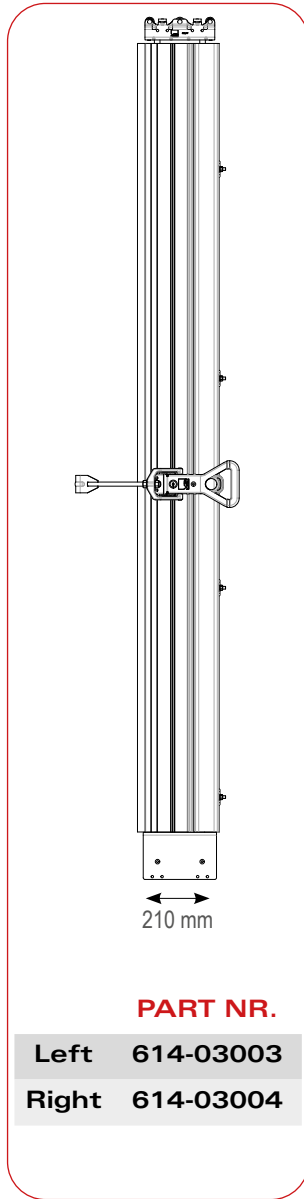
| | |
|------------|------------------------|
| 6a* | Rail insert Penta City |
| 6b* | Rail insert Solo Penta |
| 7 | Set steel insert |
| 8 | PVC pelmet |
| 9 | Set door stopper |
| 10* | Set fixation curtain |
| 11 | Set mounting plates |
| 12 | PP band |

* Not visible on the composition drawing above

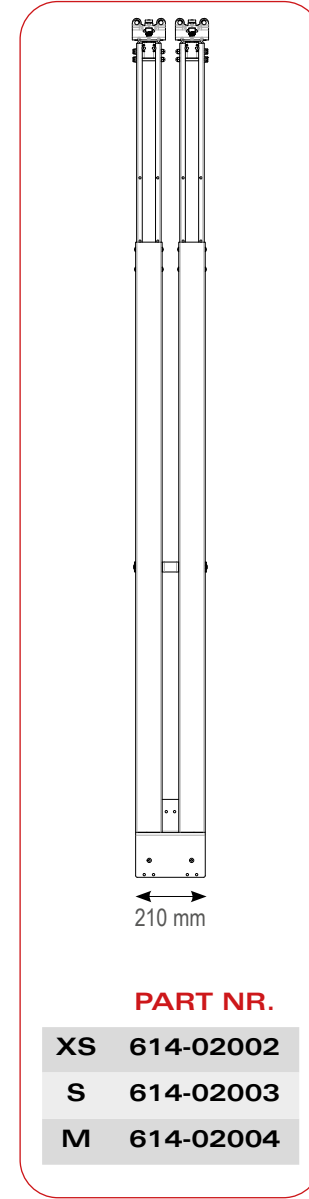
5 Penta City roller



3 Aluminium door

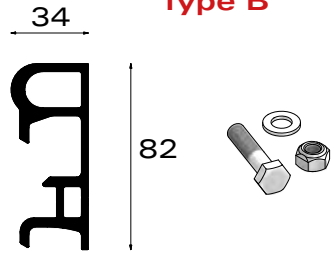


4 Pillar



Extra Small (XS) = aperture height between 1920 and 2170mm
 Small (S) = aperture height between 2171 and 2420mm
 Medium (M) = aperture height between 2421 and 2700mm

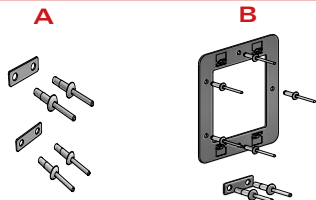
**1 Penta City rail (Al)
Type B**



PART NR.

Rail L = 7m 162-40700
Set (1set/m) 144-10129

10 Set fix. curtain



PART NR.

Set A 144-10144
Set B 144-10152

1x Set A / 2 Penta City rollers
2x Set A / pillar
1x Set B / Al door

12 PP Band (red)



* The red PP band is mounted on the underside of the curtain.

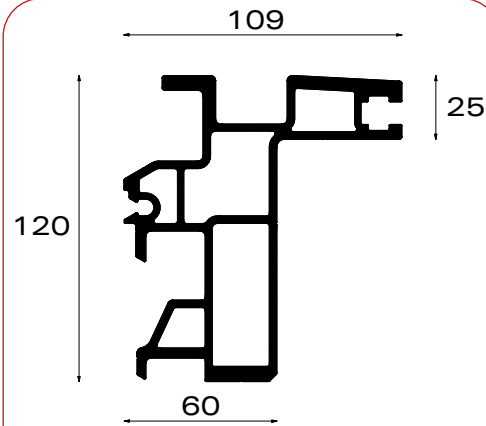


* The small red PP band is mounted on the top of the curtain.

PART NR.

L = 9m 242-06209
L = 14m 242-06214
L = 0,45m 242-06201

2a Duo Penta rail (Al)

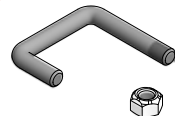


PART NR.

L = 5m 162-30500
L = 7,8m 162-30780
L = 8,5m 162-30850
* L = 10,5m 162-30105
* L = 13,6m 162-30136

*profile with pre-bending & milling

9 Set door stop-



PART NR.

144-10143

Velcro strap



PART NR.

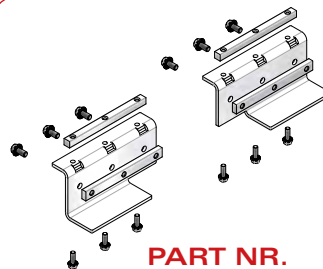
L = 300mm 312-08001

8 PVC pelmet (black) 11 Set mounting plates



PART NR.

L = 9m 242-02109
L = 14m 242-02114

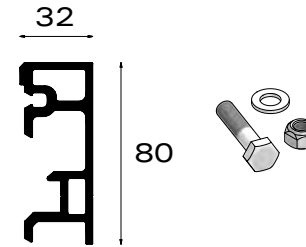


PART NR.

Set 154-03101

* Only for Al Duo Penta rail

2b Penta City rail (Al)



PART NR.

Rail L = 7m 162-29700
Set (1set/m) 144-10129

* Use this rail with a steel frame

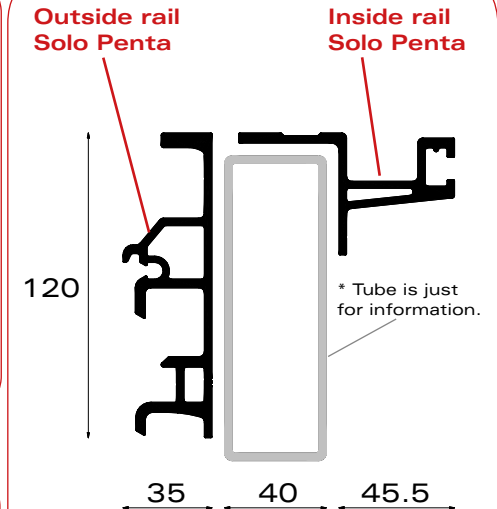
6a Rail insert Penta City



PART NR.

L = 0,5m 162-29005

2c Solo Penta rail (Al)

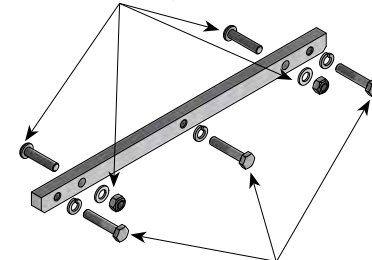


PART NR.

Rail (out) L = 7,8m 162-41780
Rail (out) L = 8,5m 162-41850
Rail (in) L = 7,8m 162-43780
Rail (in) L = 8,5m 162-43850

7 Set steel insert

For Al Penta City & Solo Penta rail



For Al Duo Penta rail

PART NR.

Set 144-10119

6b Rail insert Solo Penta



PART NR.

L = 0,5m 162-41005





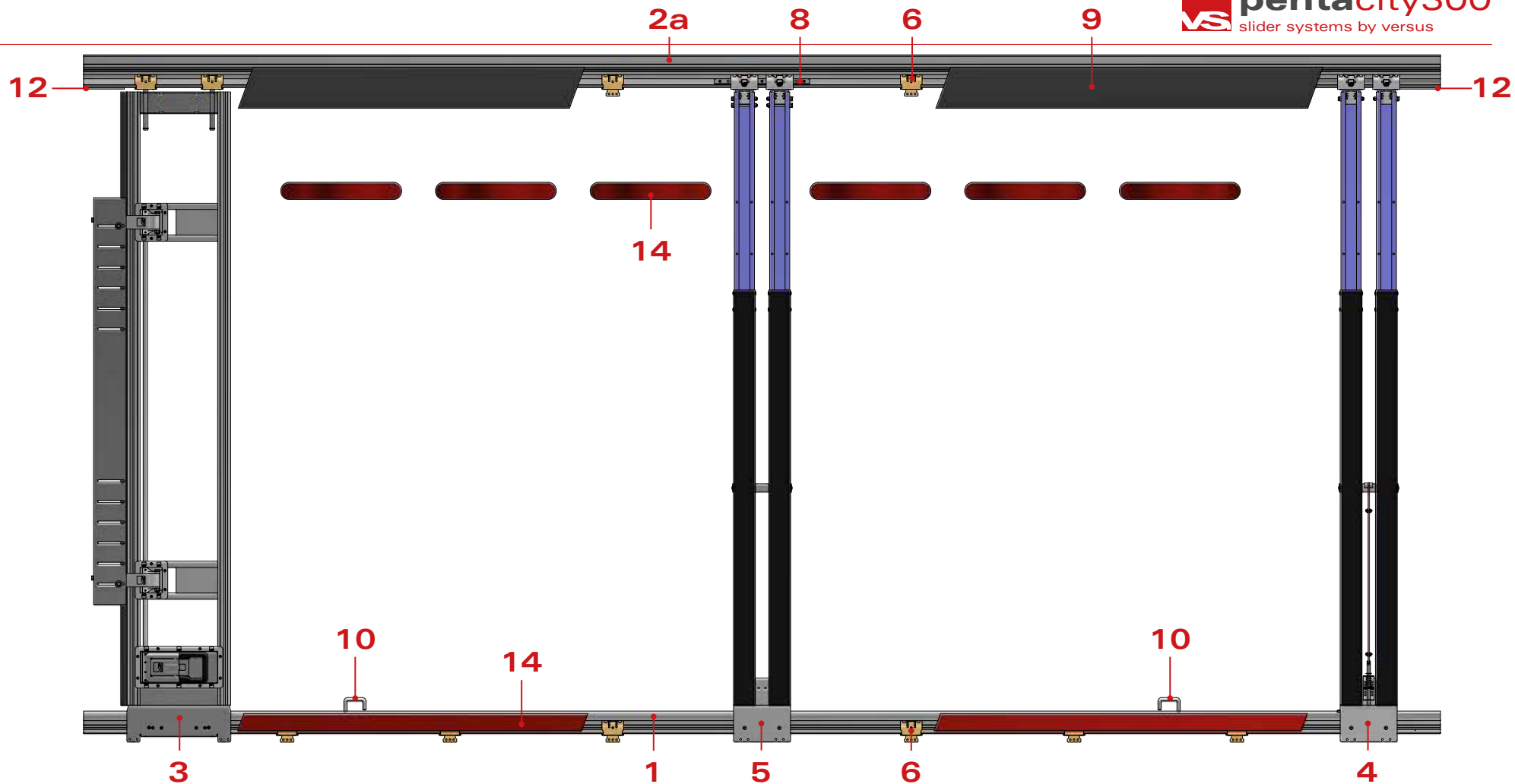


หาดทิพย์

ดื่มด่ำทุกความรู้สึก

FRR
190

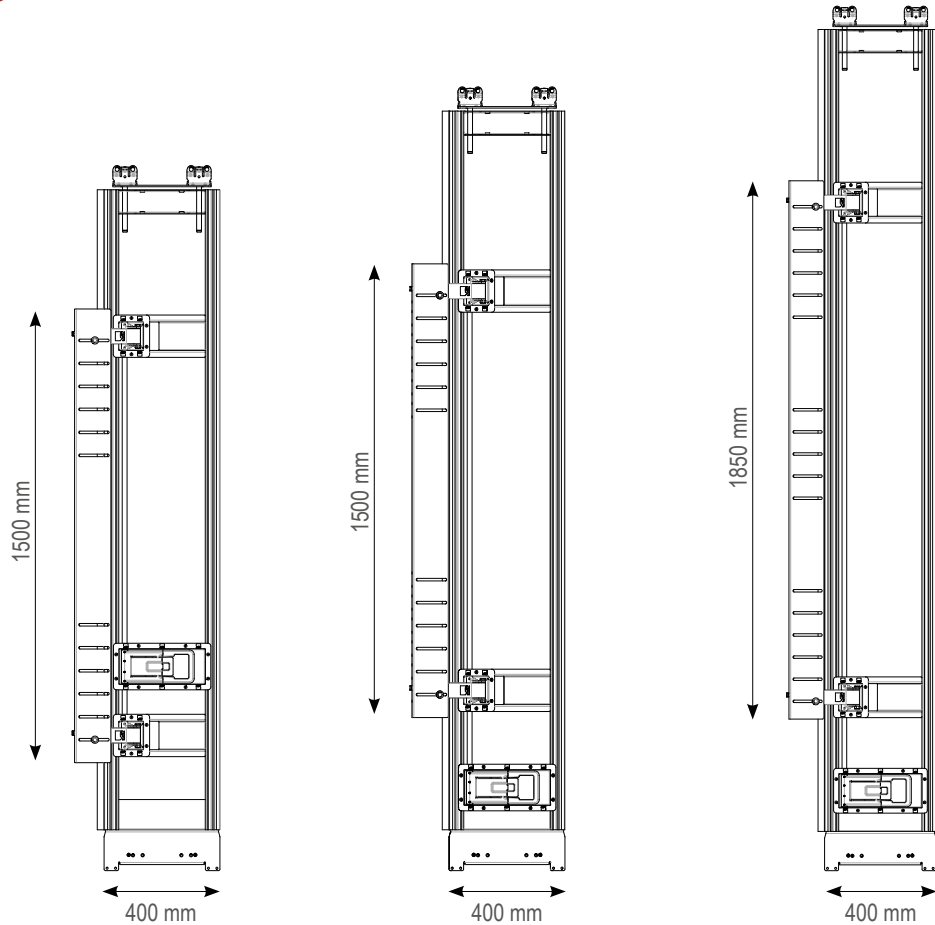
ELITE



| | | | |
|------------|-----------------------------|------------|------------------------|
| 1 | Penta City rail type B (Al) | 7a* | Rail insert Penta City |
| 2a | Duo Penta rail (Al) | 7b* | Rail insert Solo Penta |
| 2b* | Penta City rail (Al) | 8 | Set steel insert |
| 2c* | Solo Penta rail (Al) | 9 | PVC pelmet |
| 3 | Quick lock door | 10 | Set door stopper |
| 4 | Basic door | 11* | Set fixation curtain |
| 5 | Pillar | 12 | Set mounting plates |
| 6 | Penta City roller | 13* | Locking nose |
| | | 14 | PP band |

* Not visible on the composition drawing above

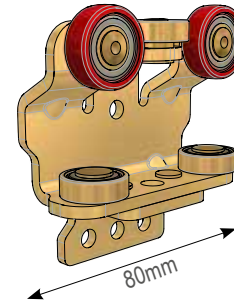
3 Quick lock door



| | PART NR. | PART NR. | PART NR. |
|----------|----------------------------|----------------------|-----------------------|
| Left SA | 614-01112 | 614-01100 | 614-01101 |
| Right SA | 614-01113 | 614-01103 | 614-01104 |
| Left LA | 614-01114 | 614-01106 | 614-01107 |
| Right LA | 614-01115 | 614-01109 | 614-01110 |
| | Extra Small 1920-2170mm | Small 2171-2420mm | Medium 2421-2800mm |

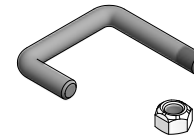
Small arm (SA) = short hinge arm covering distance of 40 to 103mm
Large arm (LA) = long hinge arm covering distance of 103 to 190mm

6 Penta City roller



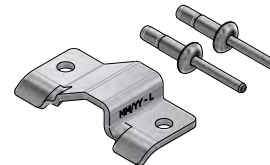
PART NR.
284-50020

10 Set door stopper



PART NR.
144-10143

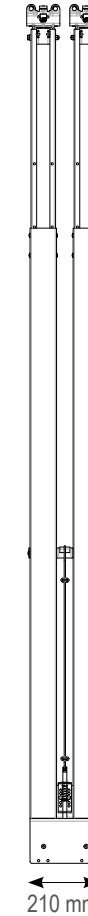
13 Locking nose



* The figure is left rear
in driving direction.

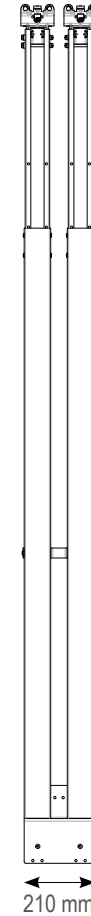
PART NR.
Left 144-10161
Right 144-10162

4 Basic door



PART NR.
XS 614-03005
S 614-03006
M 614-03007

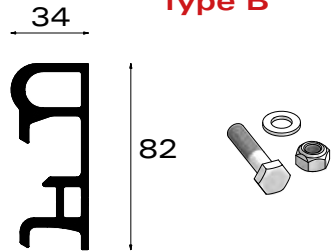
5 Pillar



PART NR.
XS 614-02002
S 614-02003
M 614-02004

Extra Small (XS) = aperture height between 1920 and 2170mm
Small (S) = aperture height between 2171 and 2420mm
Medium (M) = aperture height between 2421 and 2700mm

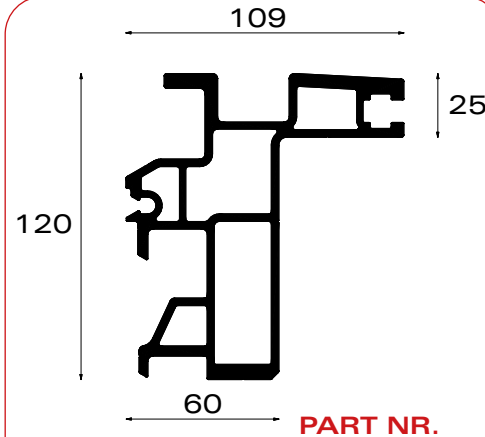
**1 Penta City rail (Al)
Type B**



PART NR.

Rail L = 7m 162-40700
Set (1set/m) 144-10129

2a Duo Penta rail (Al)

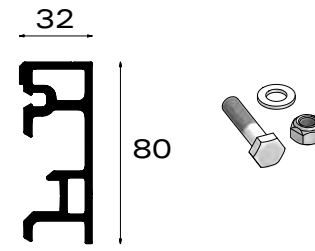


PART NR.

L = 5m 162-30500
L = 7,8m 162-30780
L = 8,5m 162-30850
* L = 10,5m 162-30105
* L = 13,6m 162-30136

*profile with pre-bending & milling

2b Penta City rail (Al)

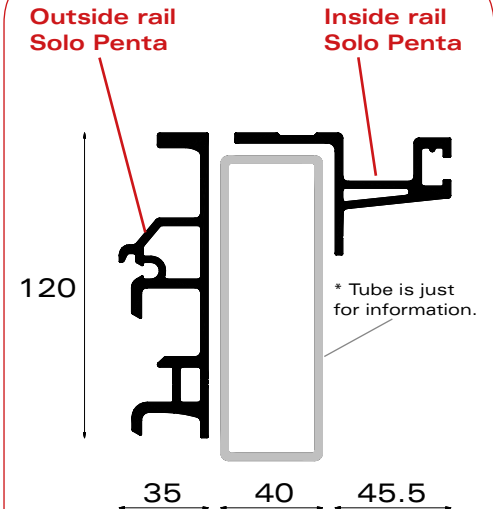


PART NR.

Rail L = 7m 162-29700
Set (1set/m) 144-10129

*Use this rail with a steel frame

2c Solo Penta rail (Al)



PART NR.

Rail (out) L = 7,8m 162-41780
Rail (out) L = 8,5m 162-41850
Rail (in) L = 7,8m 162-43780
Rail (in) L = 8,5m 162-43850

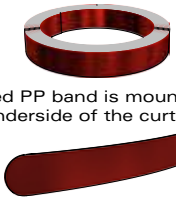
9 PVC pelmet (black)



PART NR.

L = 9m 242-02109
L = 14m 242-02114

14 PP Band (red)



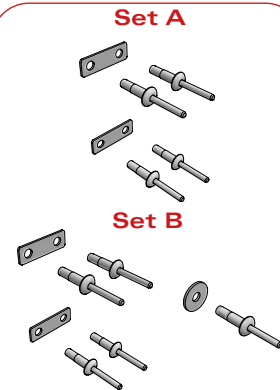
* The red PP band is mounted on the underside of the curtain.

* The small red PP band is mounted on the top of the curtain.

PART NR.

L = 9m 242-06209
L = 14m 242-06214
L = 0,45m 242-06201

11 Set fix. curtain



PART NR.

Set A 144-10144

Set B 144-10140

1x Set A / Al door
1x Set A / 2 penta city rollers
1x Set A / basic door
2x Set A / pillar
1x Set B / QL-door

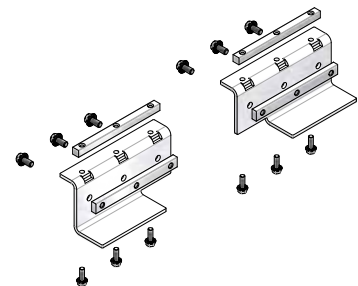
Velcro strap



PART NR.

L = 300mm 312-08001

12 Set mounting plates



PART NR.

Set 154-03101

*Only for Al Duo Penta rail

7a Rail insert penta city

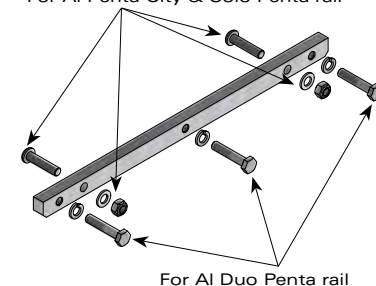


PART NR.

L = 0,5m 162-29005

8 Set steel insert

For Al Penta City & Solo Penta rail



For Al Duo Penta rail

PART NR.

Set 144-10119

7b Rail insert Solo Penta



PART NR.

L = 0,5m 162-41005







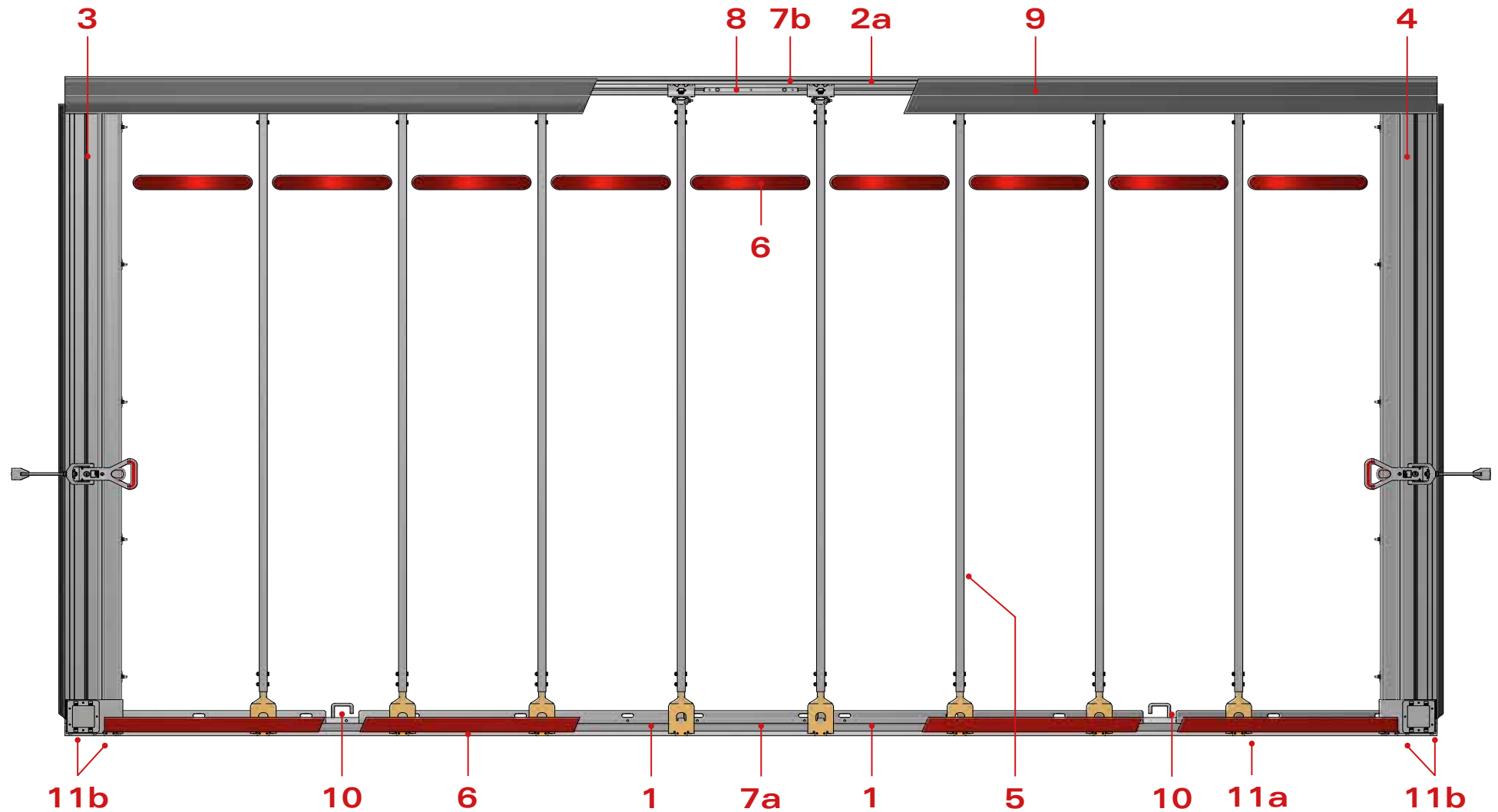
FOX
PARTNER
SALES

MS **penta flex**
— slider systems by verus

quick and safe through town

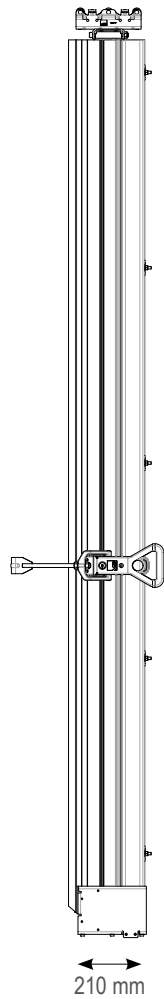
CAR

1700



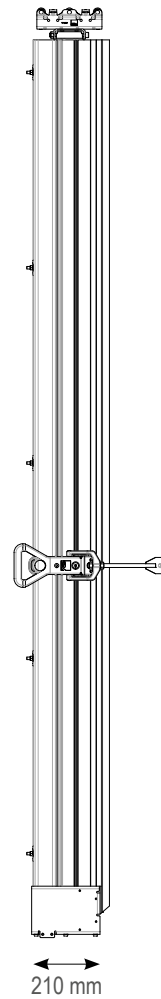
| | | | |
|------------|-------------------------|------------|------------------------|
| 1 | Penta Flex rail (steel) | 7a | Rail insert Penta Flex |
| 2a | Penta City rail (Al) | 7b | Rail insert Penta City |
| 2b* | Solo Penta rail (Al) | 7c* | Rail insert Solo Penta |
| 3 | Aluminium door (left) | 8 | Set steel insert |
| 4 | Aluminium door (right) | 9 | PVC Pelmet |
| 5 | Mini pillar | 10 | Set door stopper |
| 6 | PP band (red) | 11 | Set fixation curtain |

3 Aluminium door left



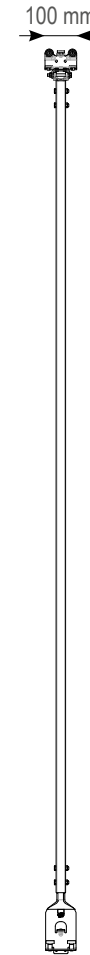
PART NR.
Left Al 644-01001

4 Aluminium door right



PART NR.
Right Al 644-01002

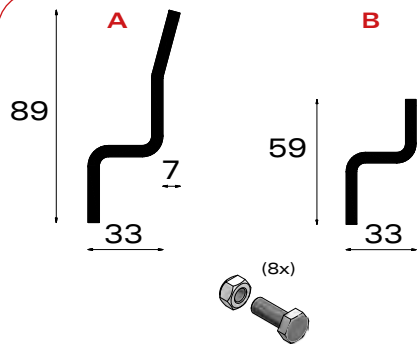
5 Mini pillar



PART NR.
Small 644-04001
Medium 644-04002
Large 644-04003

Small (S) = aperture height between 0 and 2330mm
Medium (M) = aperture height between 2331 and 2470mm
Large (L) = aperture height between 2471 and 2740mm

1 Penta Flex rail (steel)



PART NR.

| | |
|-----------------|-----------|
| Rail (A) L = 3m | 162-39300 |
| Rail (B) L = 3m | 162-39301 |
| Set (1set/rail) | 144-10151 |

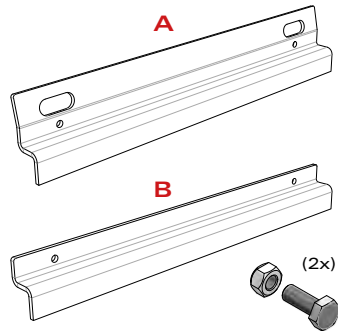
Velcro strap



PART NR.

| | |
|-----------|-----------|
| L = 150mm | 312-08002 |
|-----------|-----------|

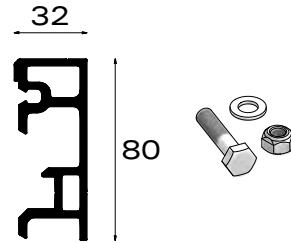
7a Rail insert Penta Flex



PART NR.

| | |
|-------------------|-----------|
| Rail (A) L = 0,5m | 144-10153 |
| Rail (B) L = 0,5m | 144-10154 |

2a Penta City rail (Al)



PART NR.

| | |
|--------------|-----------|
| Rail L = 7m | 162-29700 |
| Set (1set/m) | 144-10129 |

* Use this rail with a steel frame

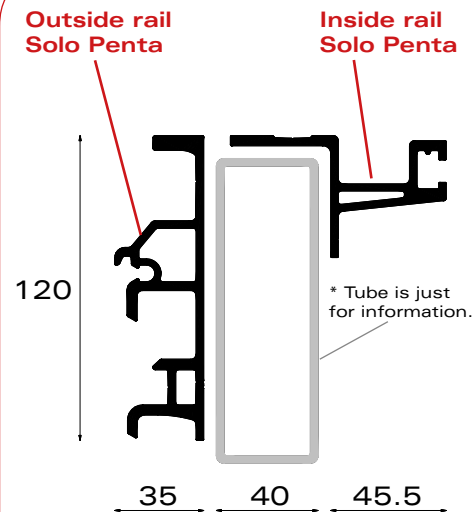
7b Rail insert Penta City



PART NR.

| | |
|----------|-----------|
| L = 0,5m | 162-29005 |
|----------|-----------|

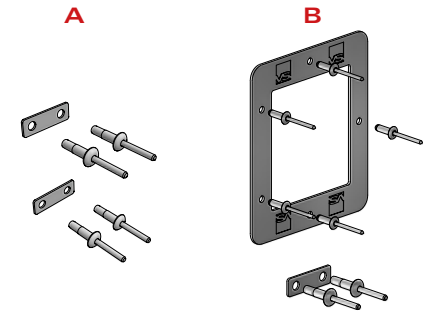
2b Solo Penta rail (Al)



PART NR.

| | |
|---------------------|-----------|
| Rail (out) L = 7,8m | 162-41780 |
| Rail (out) L = 8,5m | 162-41850 |
| Rail (in) L = 7,8m | 162-43780 |
| Rail (in) L = 8,5m | 162-43850 |

11 Set fixation curtain



PART NR.

| | |
|---------------------|-----------|
| Set mini pillar (A) | 144-10144 |
| Set Al door (B) | 144-10152 |

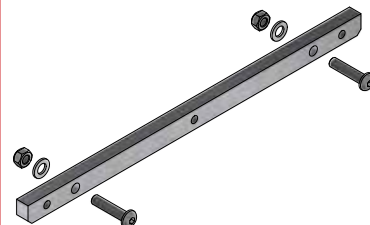
9 PVC pelmet (black)



PART NR.

| | |
|---------|-----------|
| L = 9m | 242-02109 |
| L = 14m | 242-02114 |

8 Set steel insert



PART NR.

| | |
|-----|-----------|
| Set | 144-10119 |
|-----|-----------|

* For Al Penta City & Solo Penta rails

7c Rail insert solo penta



PART NR.

| | |
|----------|-----------|
| L = 0,5m | 162-41005 |
|----------|-----------|

6 PP Band (red)



* The red PP band is mounted on the underside of the curtain.

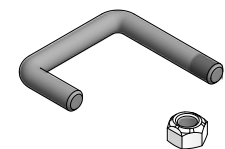


* The small red PP band is mounted on the top of the curtain.

PART NR.

| | |
|-----------|-----------|
| L = 9m | 242-06209 |
| L = 14m | 242-06214 |
| L = 0,45m | 242-06201 |

10 Set door stopper



PART NR.

| |
|-----------|
| 144-10143 |
|-----------|



wave[®]
slider systems by versus



kits

in box systems

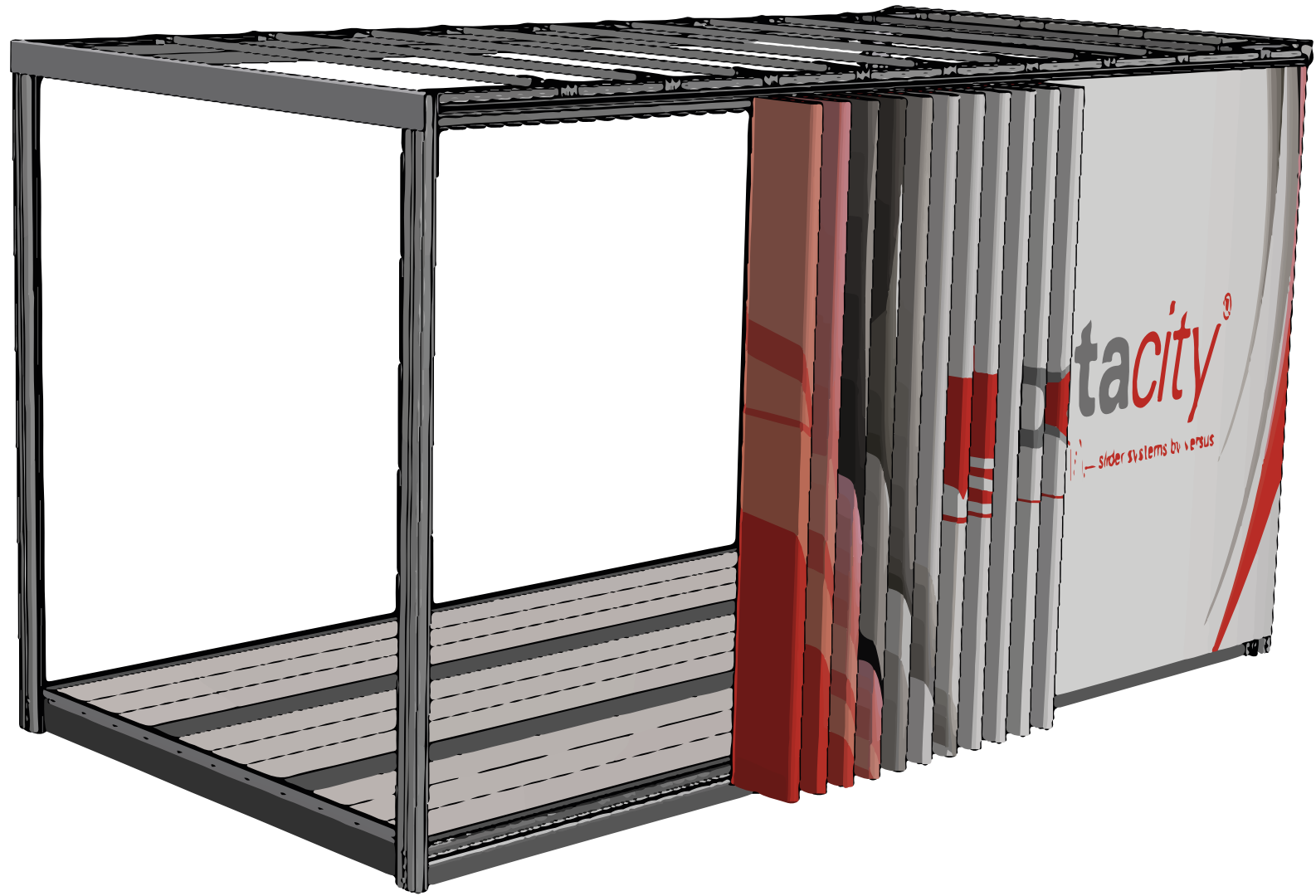
| Type of kit | Page |
|-------------|------|
|-------------|------|

| | |
|----------|-----|
| Kit 5000 | 217 |
|----------|-----|

| | |
|----------|-----|
| Kit 7500 | 223 |
|----------|-----|

| | |
|-----------|-----|
| Kit 7500+ | 229 |
|-----------|-----|

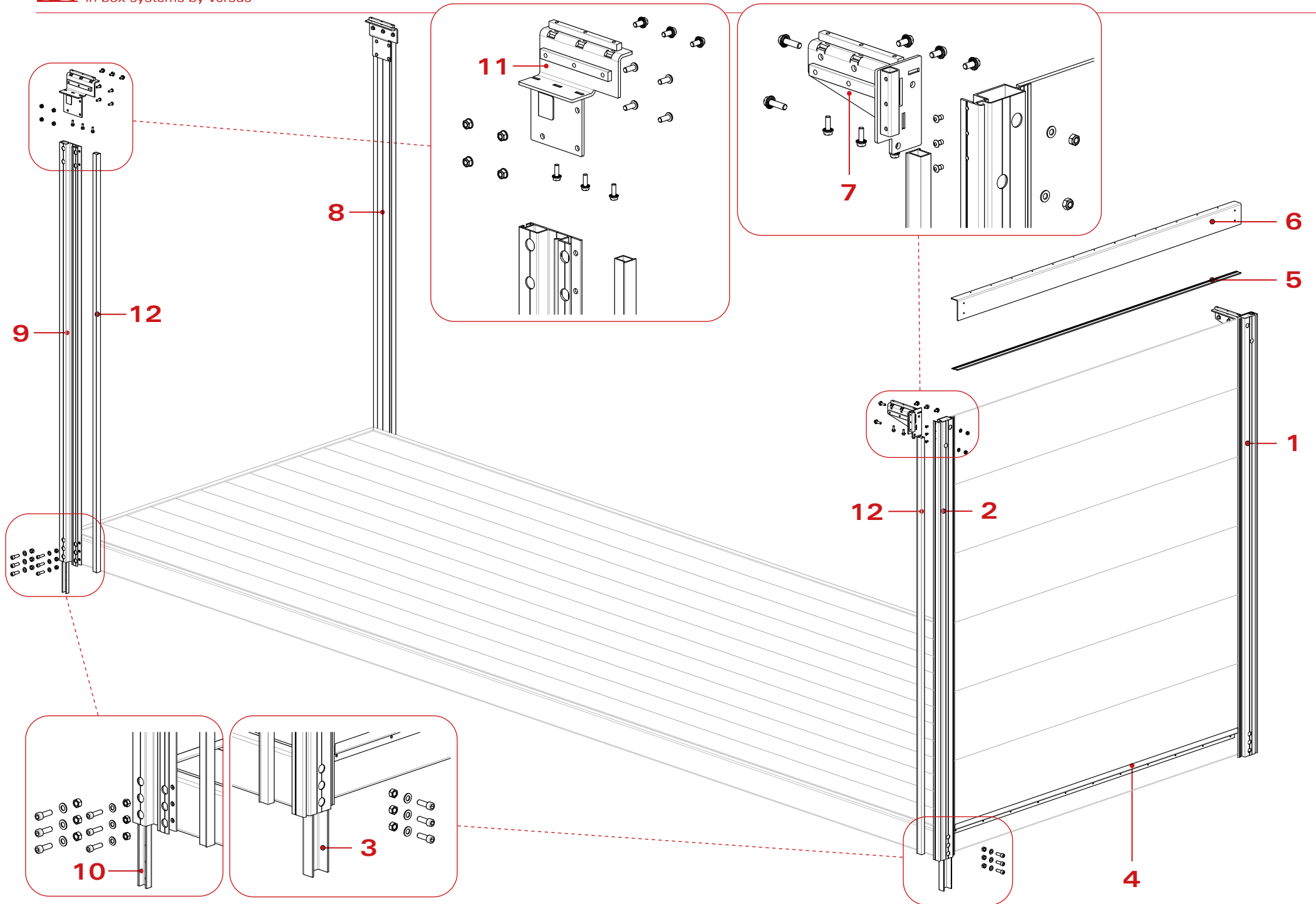
| | |
|-----------|-----|
| Kit Axces | 235 |
|-----------|-----|

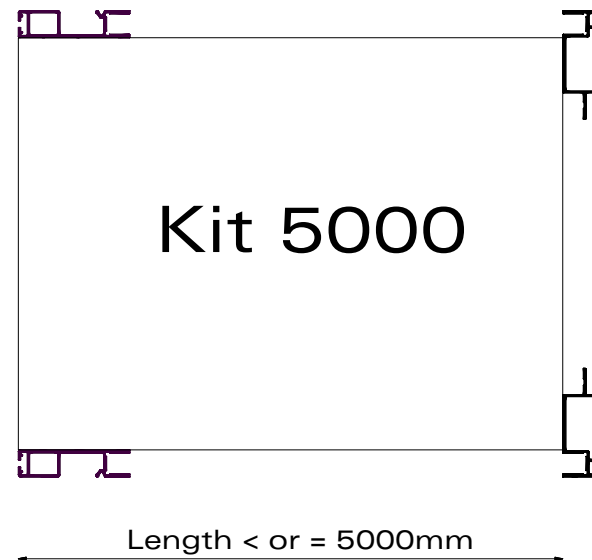




kit5000

in box systems by versus

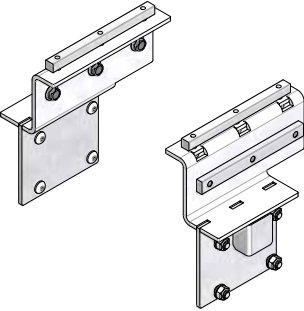




| Nr. | Part Nr. | Qty | Description |
|-----|-----------|-----|---|
| 1 | 452-01110 | 1 | Front corner left / Al / L = 3000mm |
| 2 | 452-01111 | 1 | Front corner right / Al / L = 3000mm |
| 3 | 154-03037 | 1 | Set reinforcements front corners with bolts |
| 4 | 452-04002 | 1 | Bottom profile for wall mounting |
| 5 | 451-04001 | 1 | Sealing profile bulkhead |
| 6 | 452-30260 | 1 | Connecting profile bulkhead |
| 7a | 154-03030 | 1 | Mounting set front Duo rail |
| 7b | 154-03031 | 1 | Mounting set front Micro rail |
| 8 | 402-02105 | 1 | Rear corner left / Al / L = 3000mm |
| 9 | 402-02106 | 1 | Rear corner right / Al / L = 3000mm |
| 10 | 154-03038 | 1 | Set reinforcements rear corners with bolts |
| 11a | 154-03032 | 1 | Mounting set rear Duo rail |
| 11b | 154-03033 | 1 | Mounting set rear Micro rail |
| *12 | 452-01124 | 4 | Aluminium insert for corner profiles |

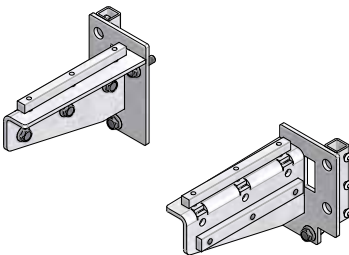
* Only needed with Penta sliders!

**Mounting set rear
Duo rail**

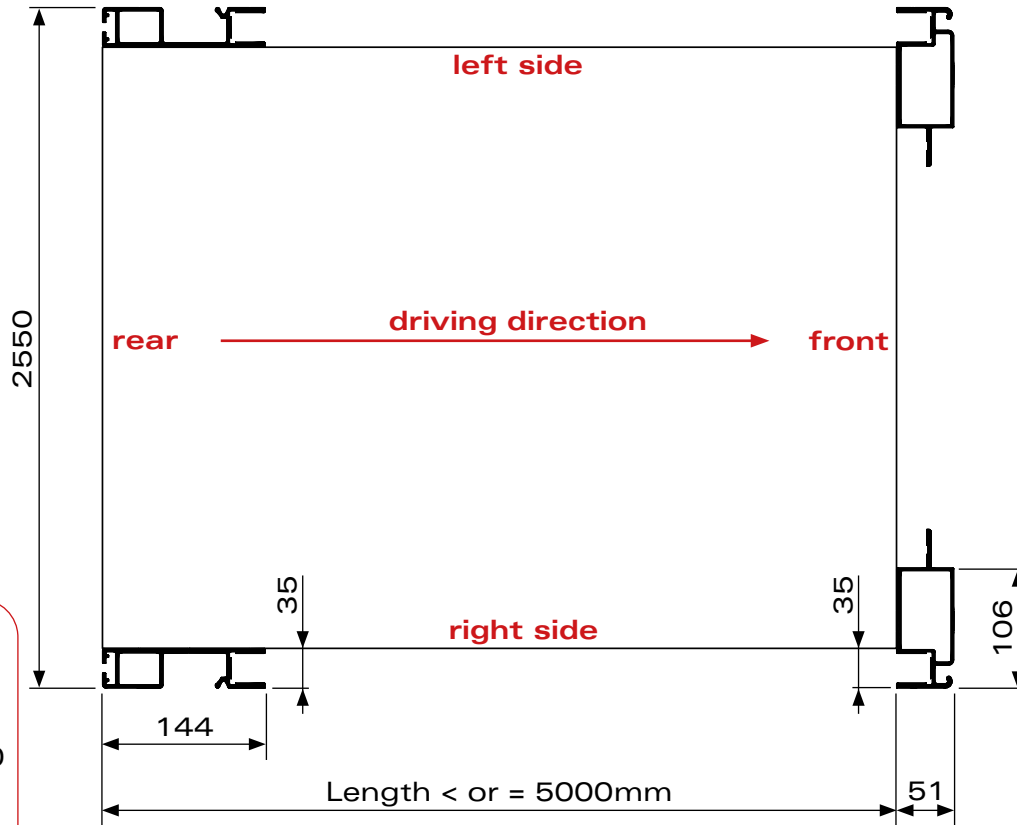


PART NR.
Set **154-03032**

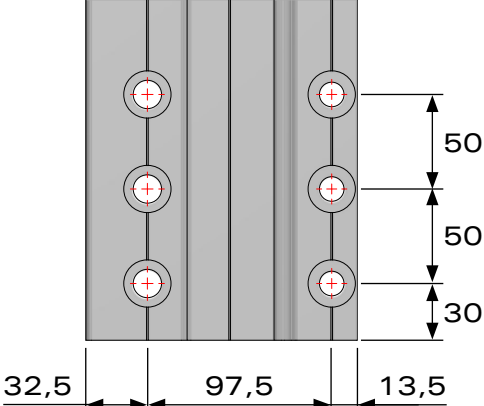

**Mounting set front
Duo rail**



PART NR.
Set **154-03030**

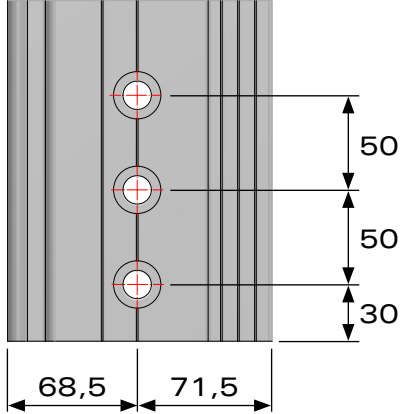



Rear corners L = 3m

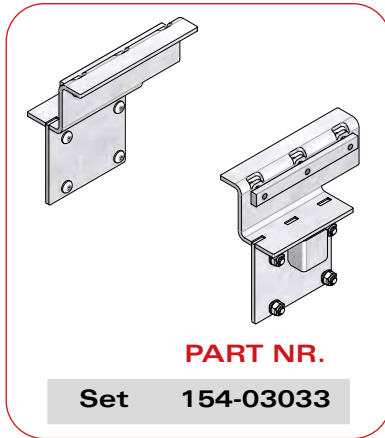
PART NR.
Left **402-02105**
Right **402-02106**

Front corners L = 3m

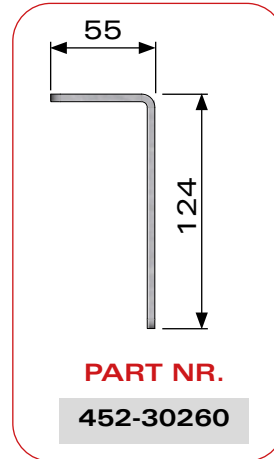



PART NR.
Left **452-01110**
Right **452-01111**

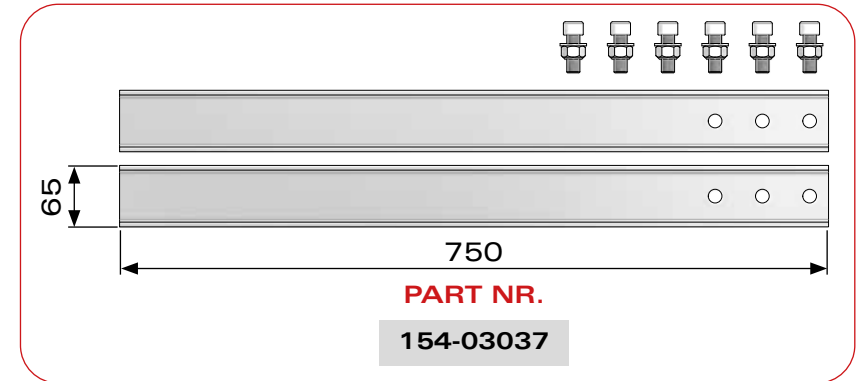
**Mounting set rear
Micro rail**



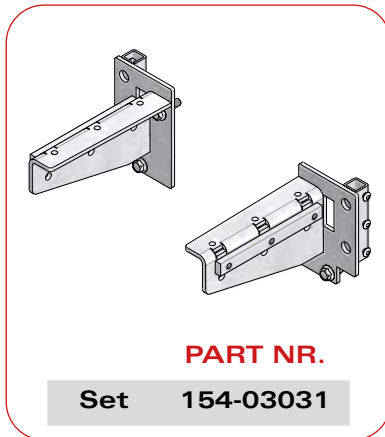
**Connecting profile
bulkhead**



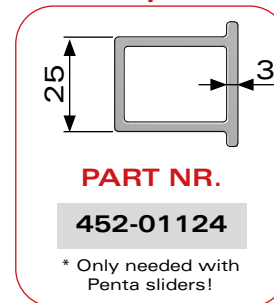
Set reinforcements front corners



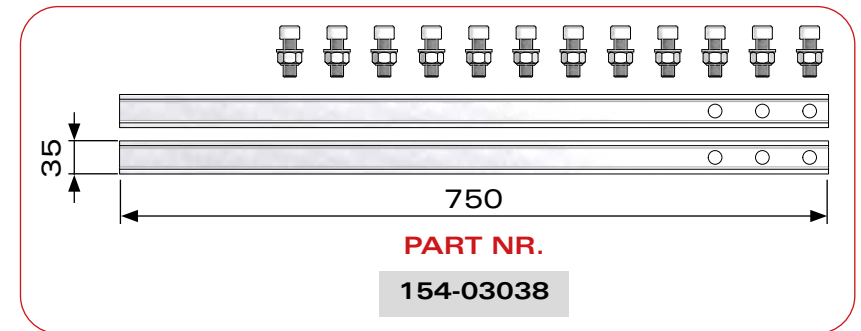
**Mounting set front
Micro rail**



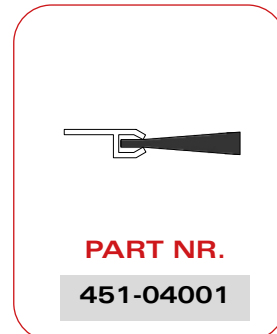
**AI insert for
corner profiles**



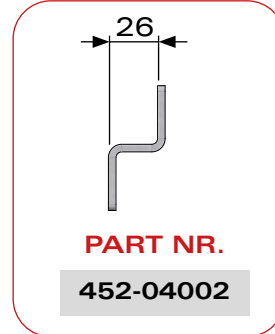
Set reinforcements rear corners

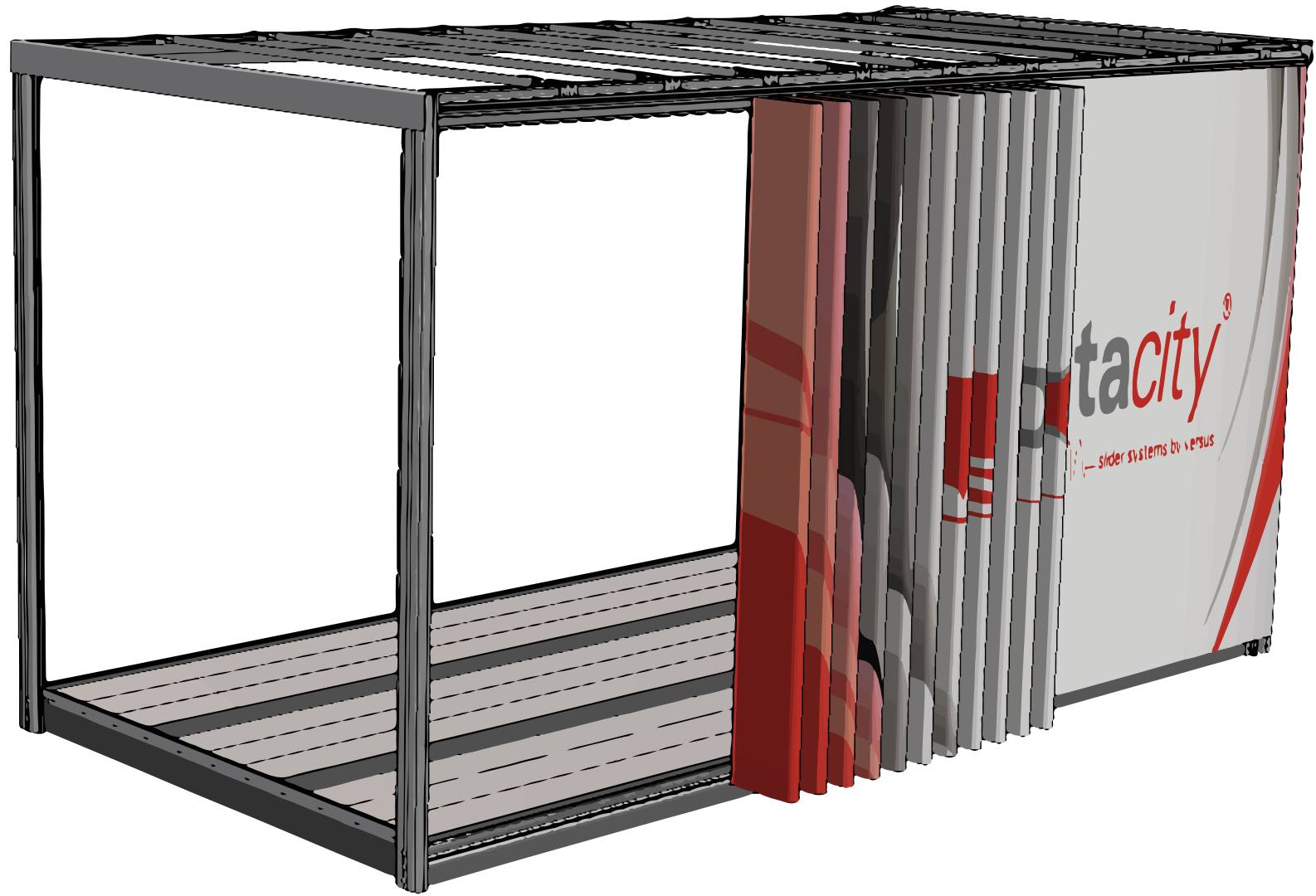


**Sealing profile
bulkhead**



Bottom profile

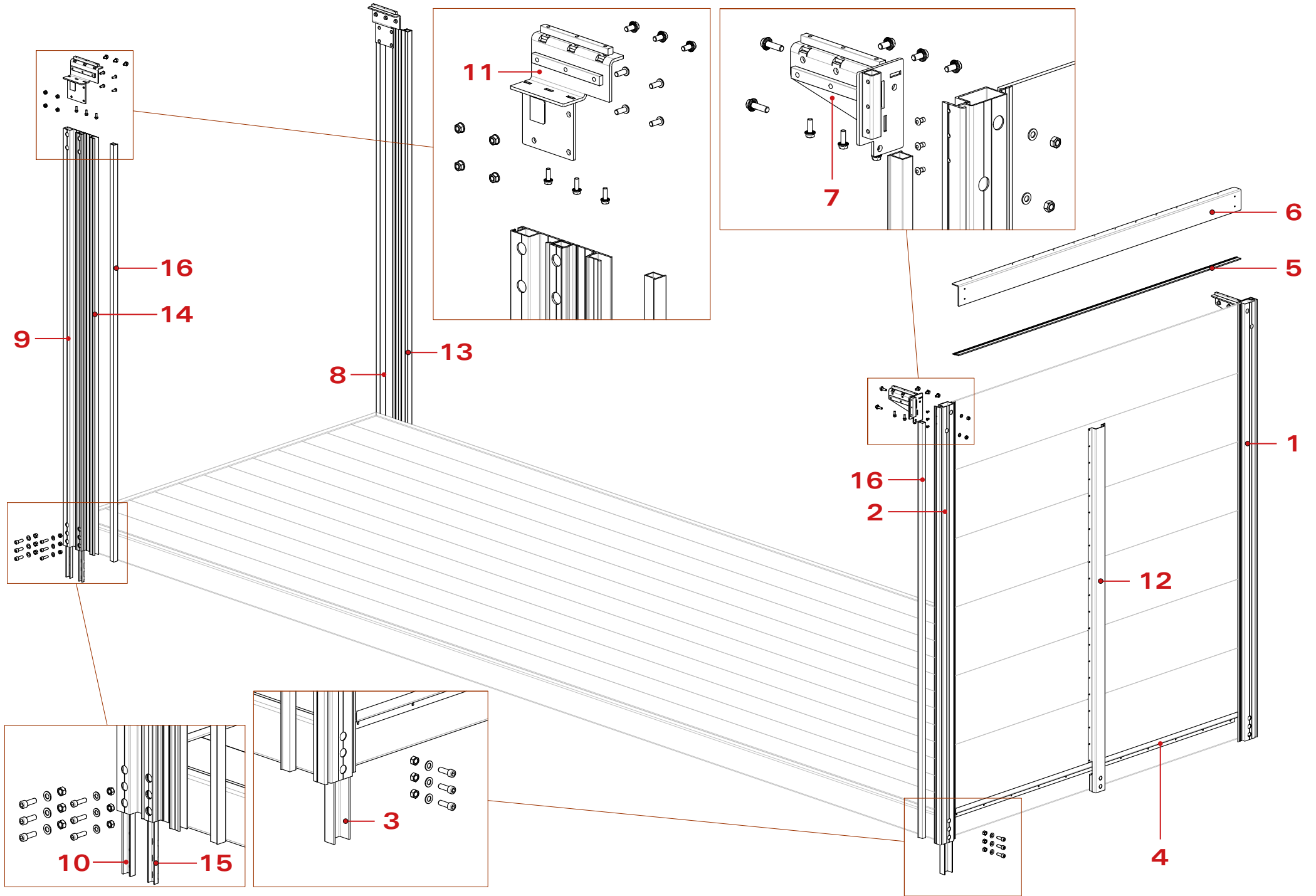


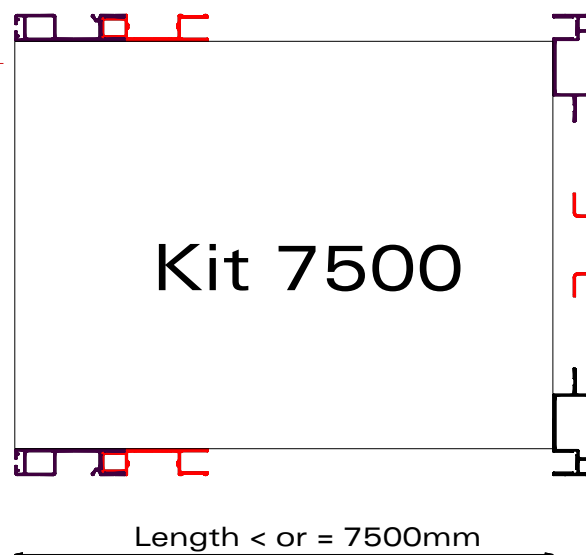




kit7500

in box systems by versus

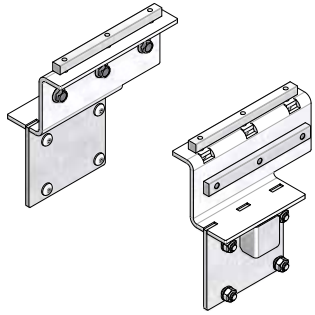




| Nr. | Part Nr. | Qty | Description |
|-----|-----------|-----|---|
| 1 | 452-01110 | 1 | Front corner left / Al / L = 3000mm |
| 2 | 452-01111 | 1 | Front corner right / Al / L = 3000mm |
| 3 | 154-03037 | 1 | Set reinforcements front corners with bolts |
| 4 | 452-04002 | 1 | Bottom profile for wall mounting |
| 5 | 451-04001 | 1 | Sealing profile bulkhead |
| 6 | 452-30260 | 1 | Connecting profile bulkhead |
| 7a | 154-03030 | 1 | Mounting set front Duo rail |
| 7b | 154-03031 | 1 | Mounting set front Micro rail |
| 8 | 402-02105 | 1 | Rear corner left / Al / L = 3000mm |
| 9 | 402-02106 | 1 | Rear corner right / Al / L = 3000mm |
| 10 | 154-03038 | 1 | Set reinforcements rear corners with bolts |
| 11a | 154-03032 | 1 | Mounting set rear Duo rail |
| 11b | 154-03033 | 1 | Mounting set rear Micro rail |
| 12 | 154-03036 | 1 | Bulkhead support with bolts |
| 13 | 452-01114 | 1 | Side profile rear corner left |
| 14 | 452-01115 | 1 | Side profile rear corner right |
| 15 | 152-02021 | 2 | Reinforcement side profile |
| *16 | 452-01124 | 4 | Aluminium insert for corner profiles |

* Only needed with Penta sliders!

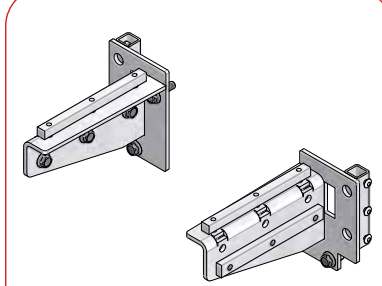
Mounting set rear Duo rail



PART NR.

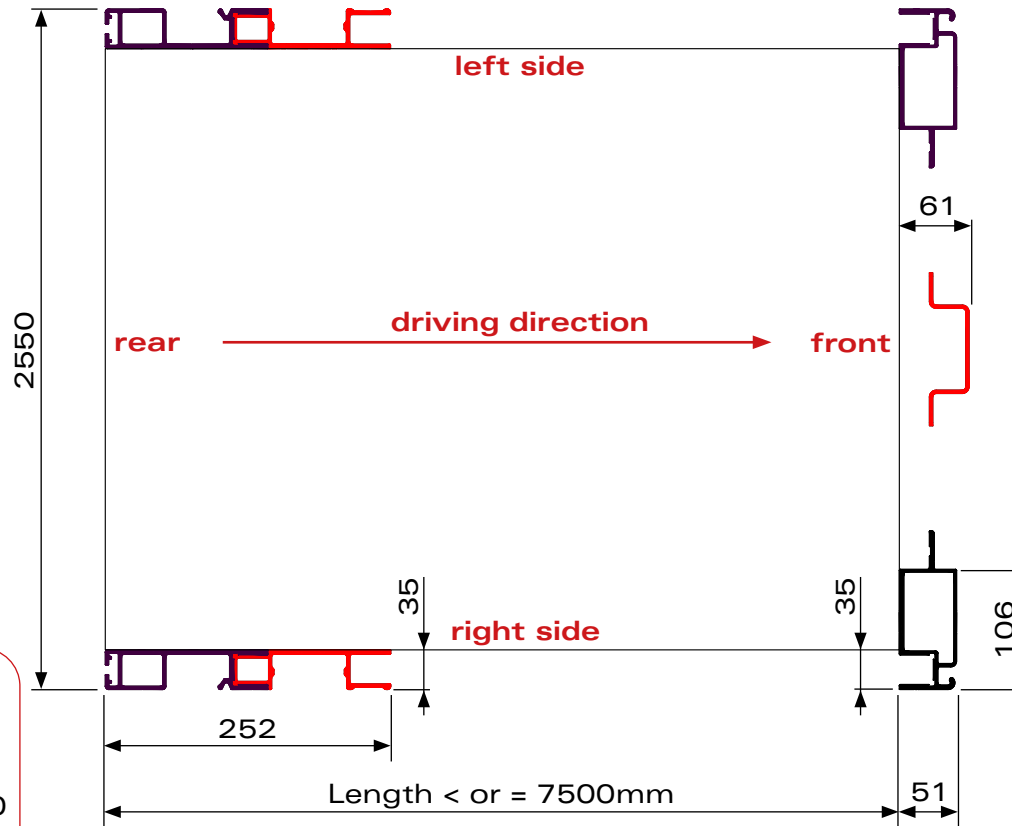
Set **154-03032**

Mounting set front Duo rail

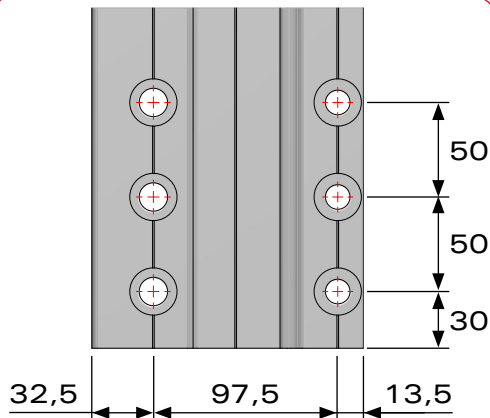


PART NR.

Set **154-03030**



Rear corners L = 3m

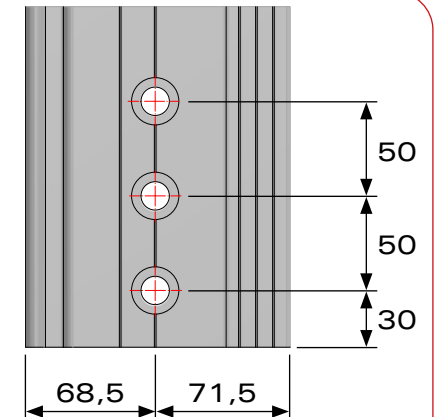


PART NR.

Left **402-02105**

Right **402-02106**

Front corners L = 3m

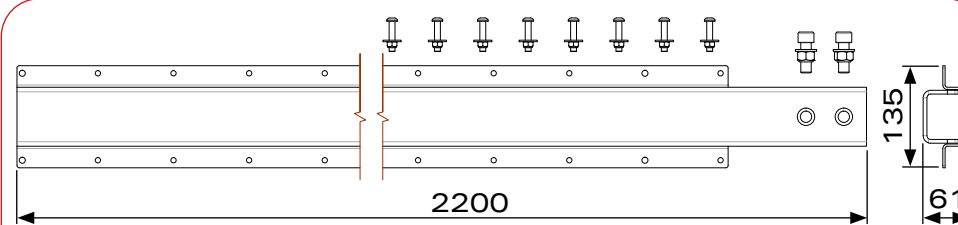


PART NR.

Left **452-01110**

Right **452-01111**

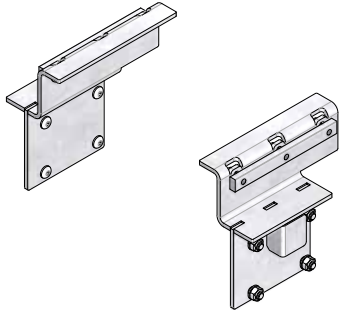
Set bulkhead support



PART NR.

154-03036

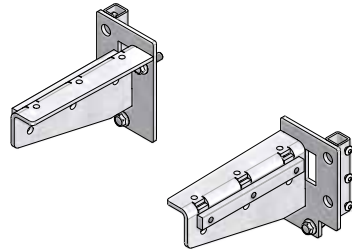
**Mounting set rear
Micro rail**



PART NR.

Set 154-03033

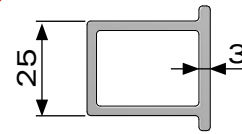
**Mounting set front
Micro rail**



PART NR.

Set 154-03031

**Al insert for
corner profiles**

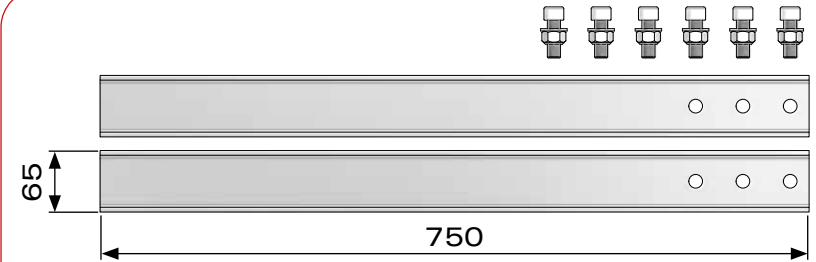


PART NR.

452-01124

* Only needed by
Penta sliders!

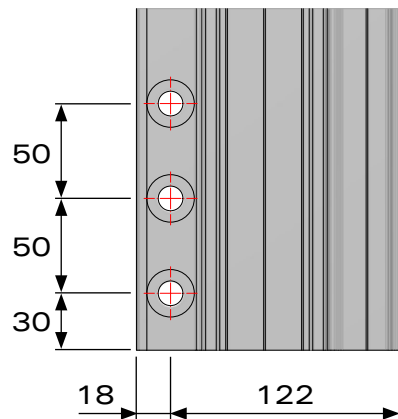
Set reinforcements front corners



PART NR.

154-03037

Side profile L = 3m

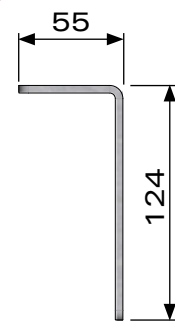


PART NR.

Left 452-01114

Right 452-01115

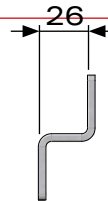
**Connecting profile
bulkhead**



PART NR.

452-30260

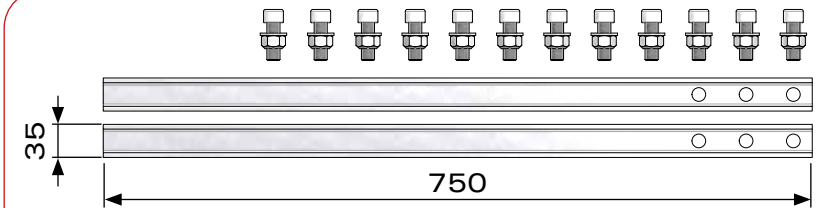
Bottom profile



PART NR.

452-04002

Set reinforcements rear corners



PART NR.

154-03038

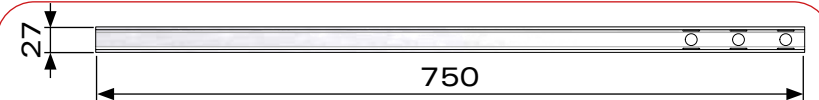
**Sealing profile
bulkhead**



PART NR.

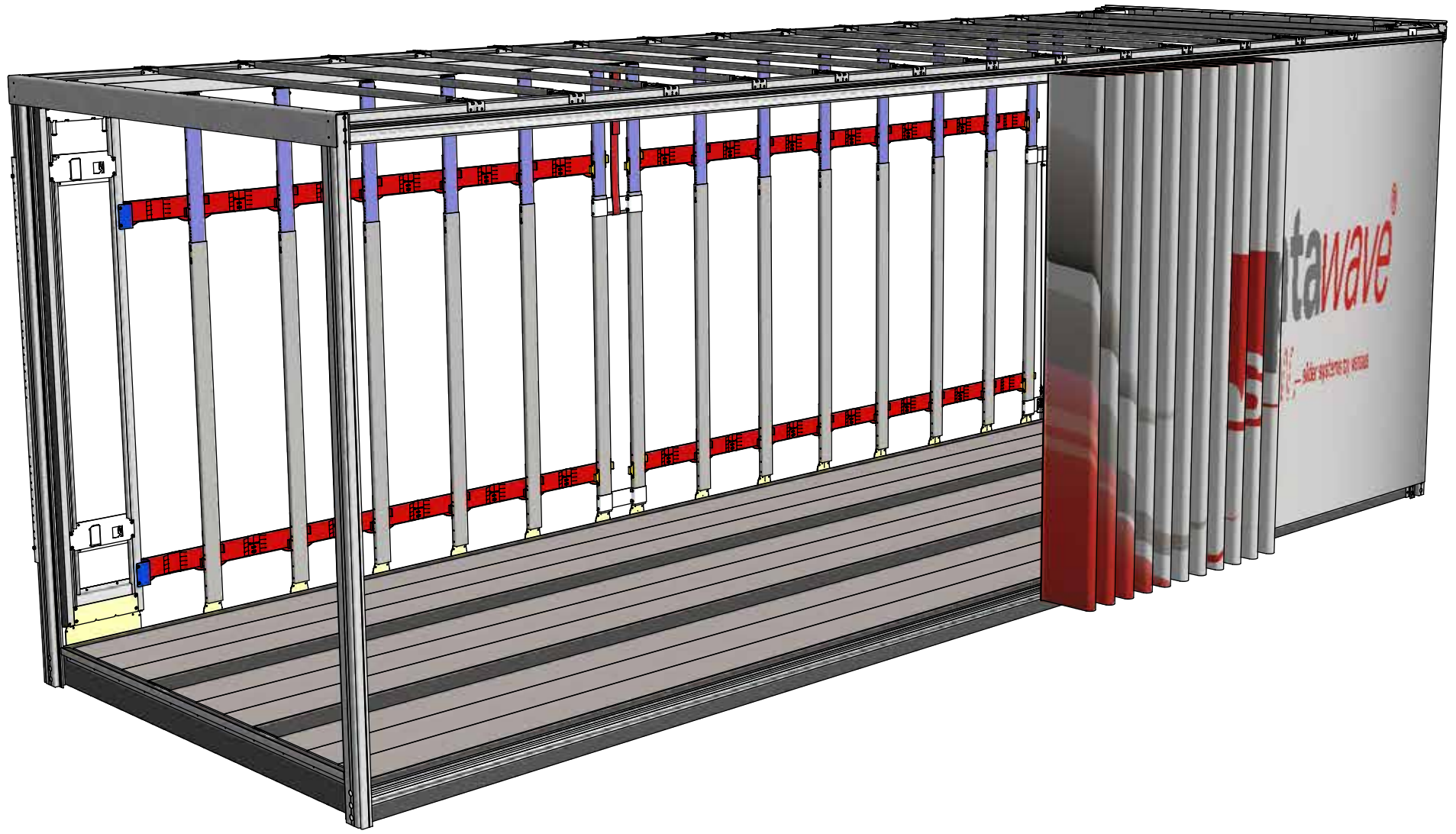
451-04001

Set reinforcements side profile



PART NR.

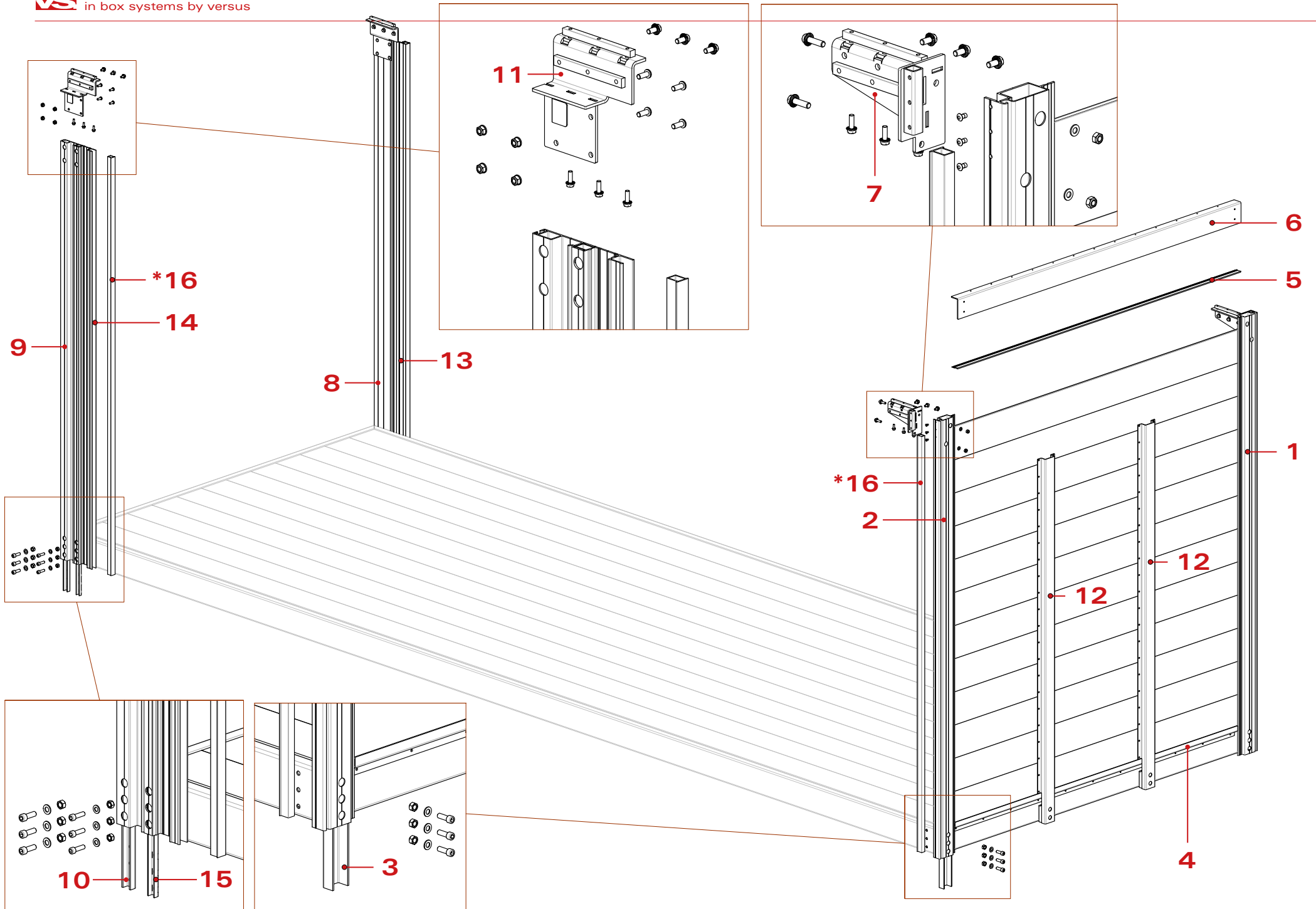
152-02021

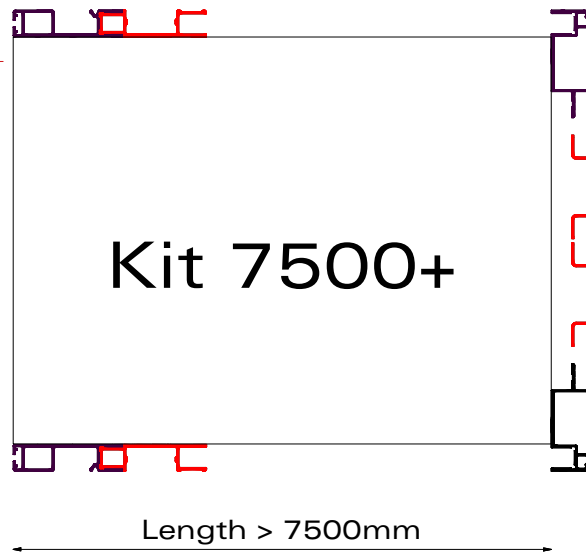




kit7500+

in box systems by versus

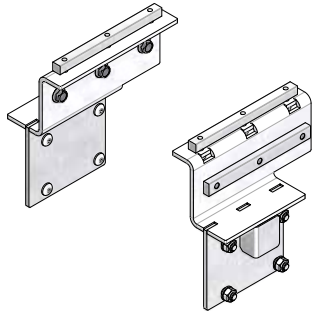




| Nr. | Part Nr. | Qty | Description |
|-----|-----------|-----|---|
| 1 | 452-01110 | 1 | Front corner left / Al / L = 3000mm |
| 2 | 452-01111 | 1 | Front corner right / Al / L = 3000mm |
| 3 | 154-03037 | 1 | Set reinforcements front corners with bolts |
| 4 | 452-04002 | 1 | Bottom profile for wall mounting |
| 5 | 451-04001 | 1 | Sealing profile bulkhead |
| 6 | 452-30260 | 1 | Connecting profile bulkhead |
| 7a | 154-03030 | 1 | Mounting set front Duo rail |
| 7b | 154-03031 | 1 | Mounting set front Micro rail |
| 8 | 402-02105 | 1 | Rear corner left / Al / L = 3000mm |
| 9 | 402-02106 | 1 | Rear corner right / Al / L = 3000mm |
| 10 | 154-03038 | 1 | Set reinforcements rear corners with bolts |
| 11a | 154-03032 | 1 | Mounting set rear Duo rail |
| 11b | 154-03033 | 1 | Mounting set rear Micro rail |
| 12 | 154-03036 | 2 | Bulkhead support with bolts |
| 13 | 452-01114 | 1 | Side profile rear corner left |
| 14 | 452-01115 | 1 | Side profile rear corner right |
| 15 | 152-02021 | 2 | Reinforcement side profile |
| *16 | 452-01124 | 4 | Aluminium insert for corner profiles |

* Only needed with Penta sliders!

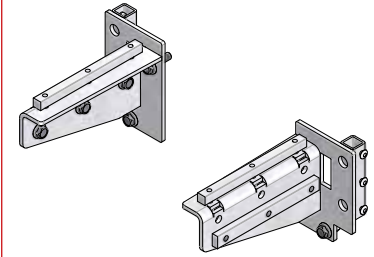
**Mounting set rear
Duo rail**



PART NR.

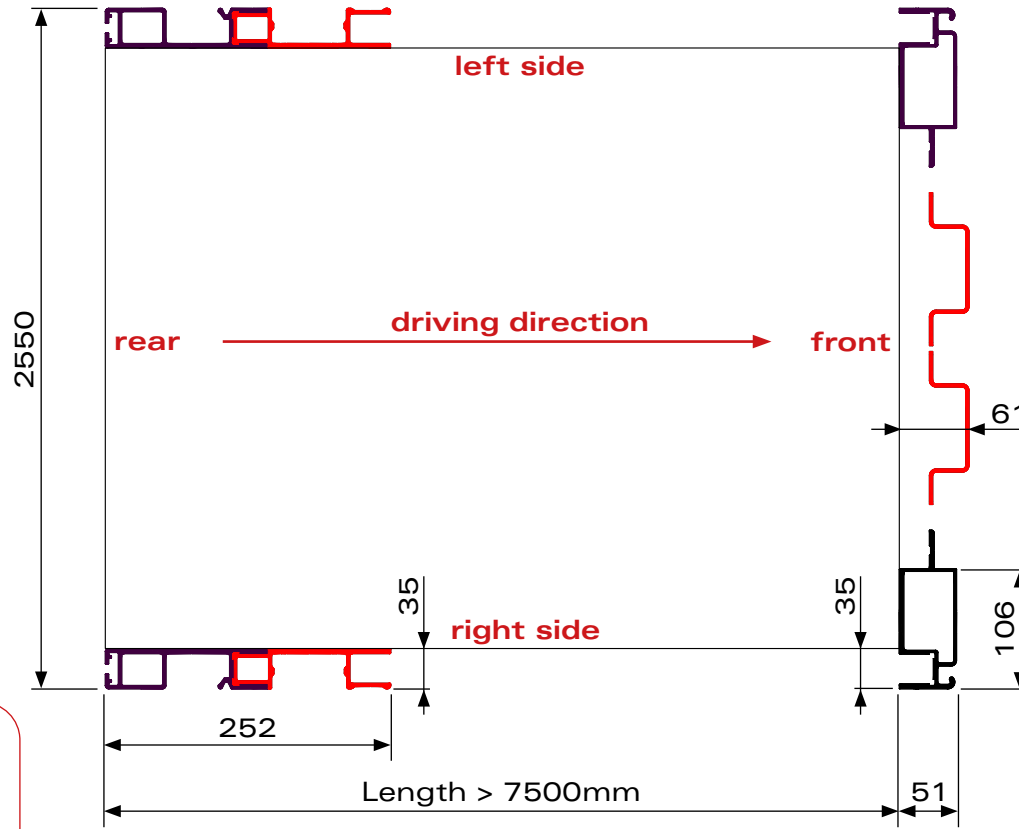
Set **154-03032**

**Mounting set front
Duo rail**

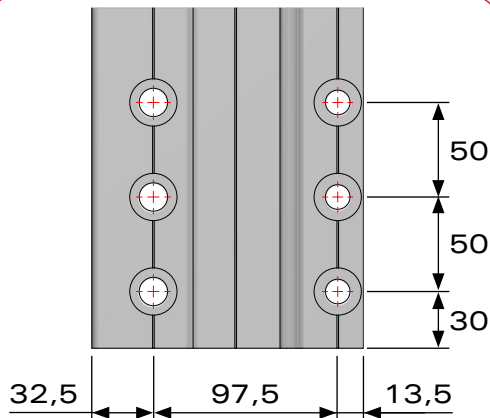


PART NR.

Set **154-03030**



Rear corners L = 3m

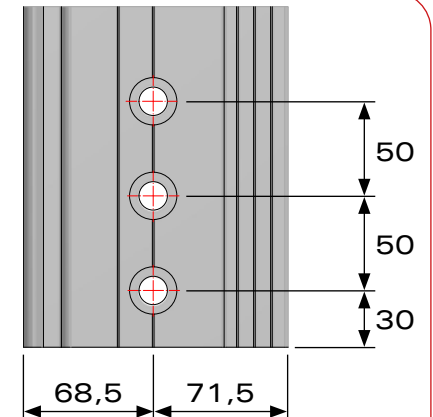


PART NR.

Left **402-02105**

Right **402-02106**

Front corners L = 3m

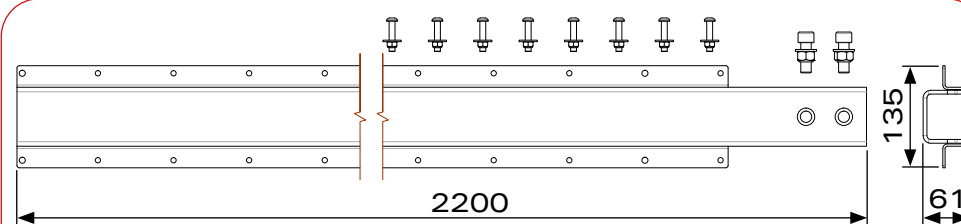


PART NR.

Left **452-01110**

Right **452-01111**

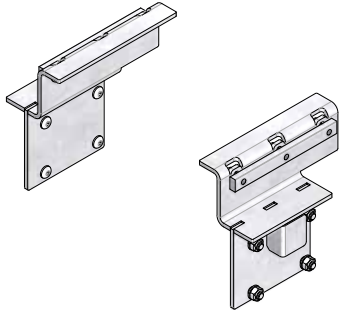
Set bulkhead support



PART NR.

154-03036

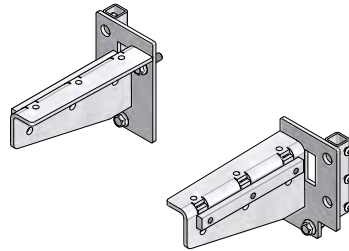
**Mounting set rear
Micro rail**



PART NR.

Set 154-03033

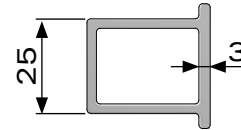
**Mounting set front
Micro rail**



PART NR.

Set 154-03031

**Al insert for
corner profiles**

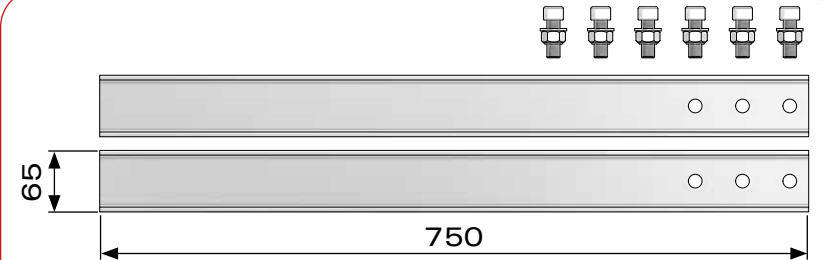


PART NR.

452-01124

* Only needed by
Penta sliders!

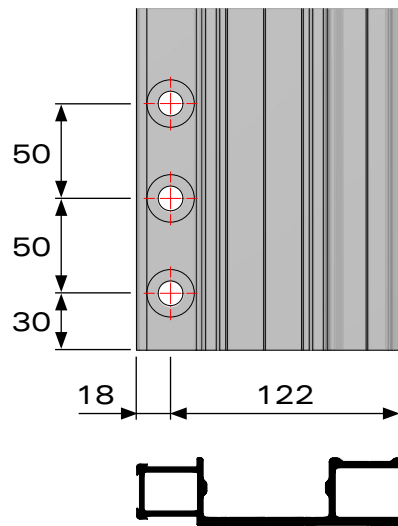
Set reinforcements front corners



PART NR.

154-03037

Side profile L = 3m

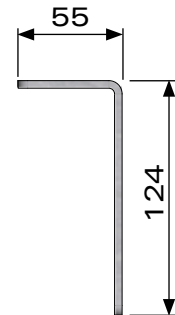


PART NR.

Left 452-01114

Right 452-01115

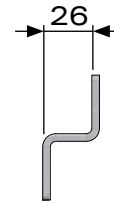
**Connecting profile
bulkhead**



PART NR.

452-30260

Bottom profile



PART NR.

452-04002

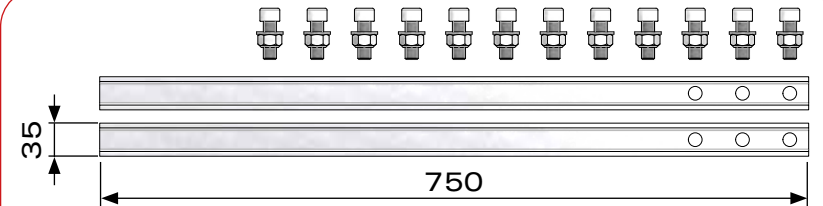
**Sealing profile
bulkhead**



PART NR.

451-04001

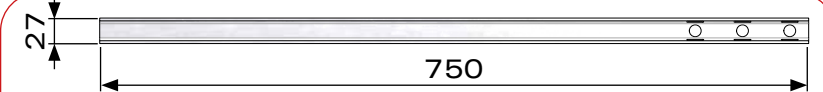
Set reinforcements rear corners



PART NR.

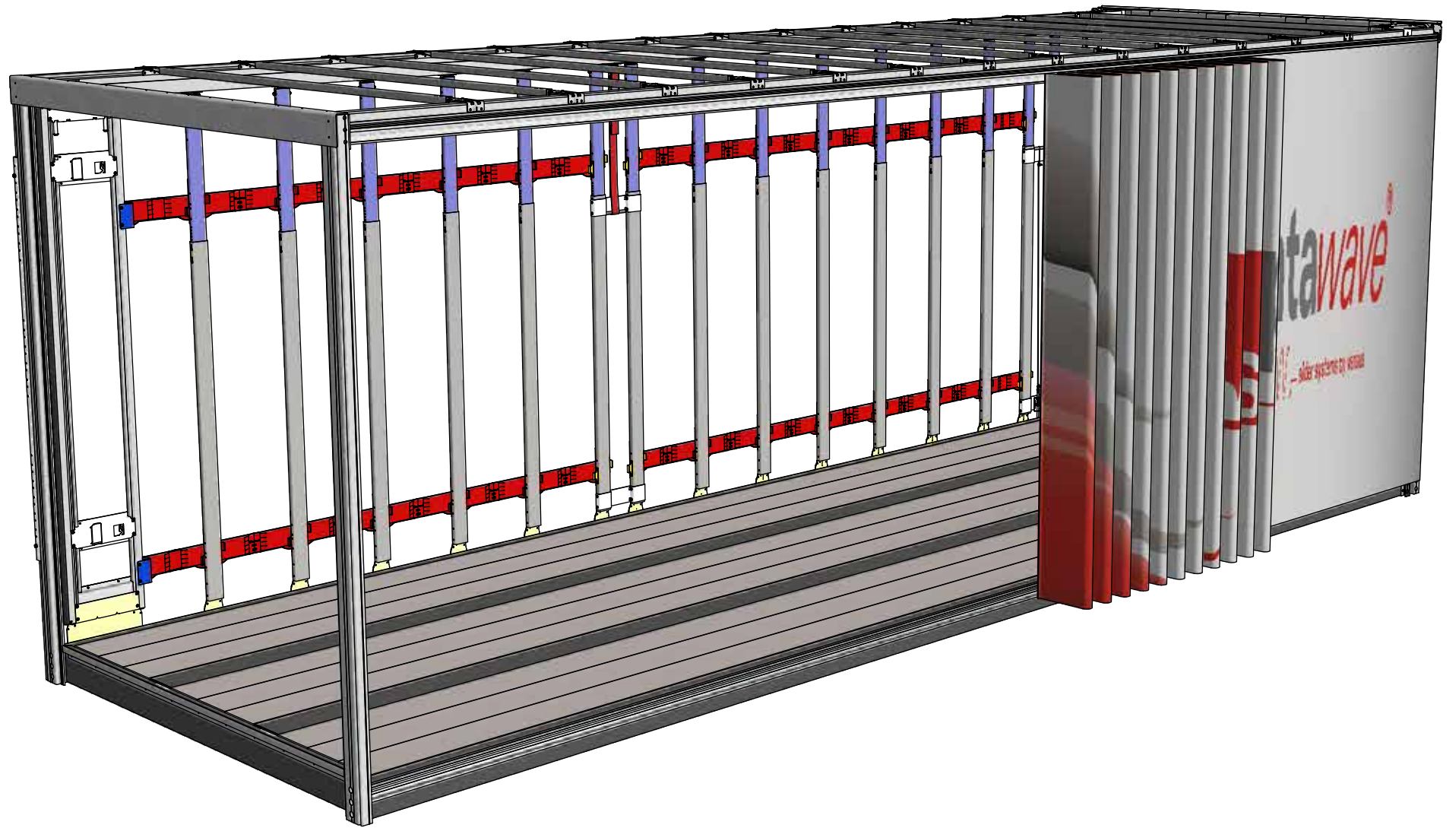
154-03038

Set reinforcements side profile



PART NR.

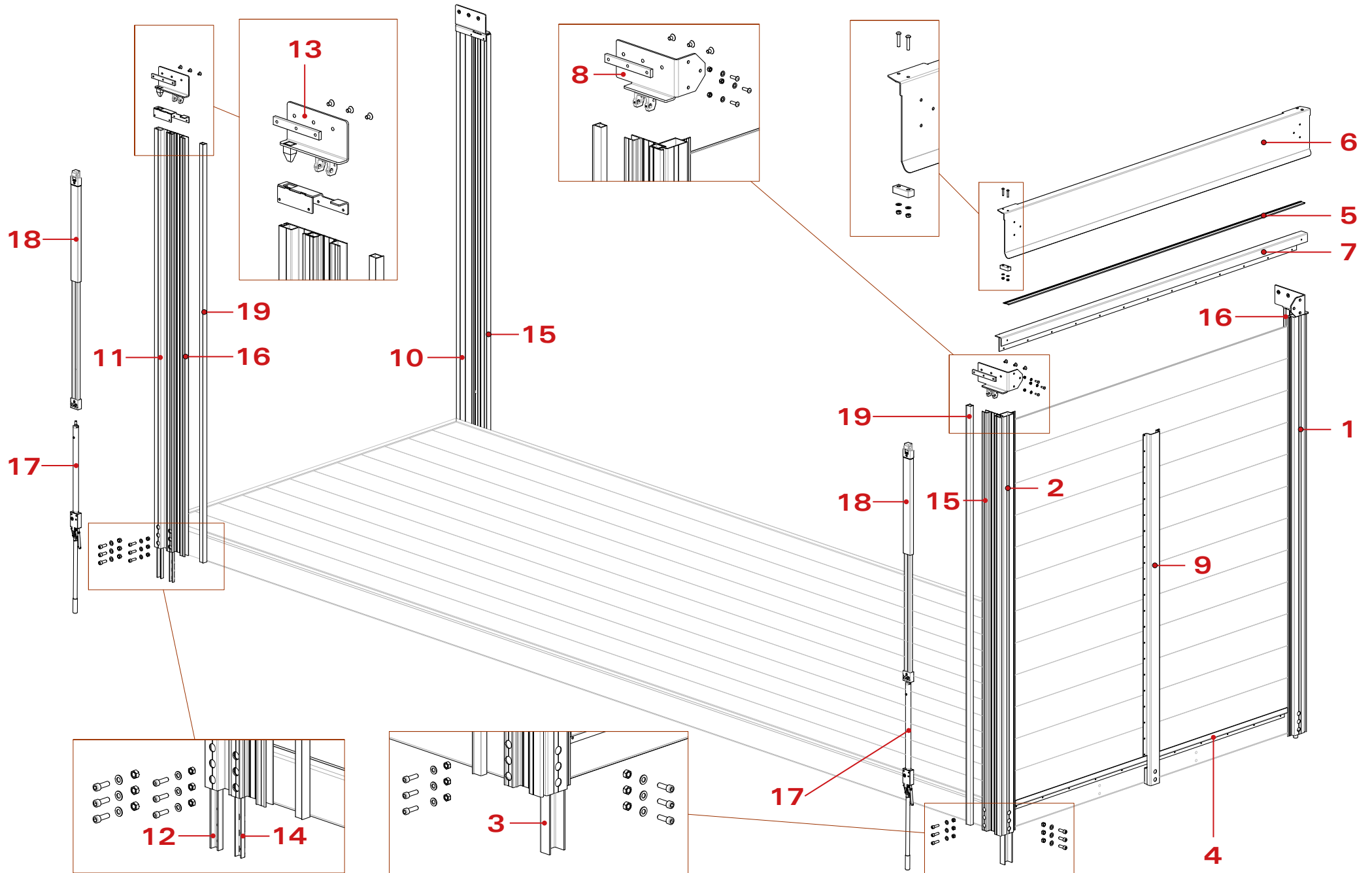
152-02021





kitaxces

in box systems by versus

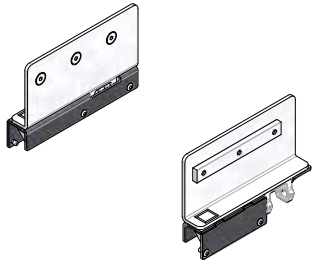




| Nr. | Part Nr. | Qty | Description |
|-----|-----------|-----|---|
| 1 | 452-01110 | 1 | Front corner left / Al / L = 3000mm |
| 2 | 452-01111 | 1 | Front corner right / Al / L = 3000mm |
| 3 | 154-03037 | 1 | Set reinforcements front corners with bolts |
| 4 | 452-04002 | 1 | Bottom profile for wall mounting |
| 5 | 451-04001 | 1 | Sealing profile bulkhead |
| 6 | 451-10001 | 1 | Upperbeam set lifting roof Alto Trike Light |
| 7 | 452-10002 | 1 | Connecting profile lifting roof wall |
| 8 | 154-03043 | 1 | Mounting set front Alto Trike Light |
| 9 | 154-03036 | 1 | Bulkhead support with bolts |
| 10 | 402-02105 | 1 | Rear corner left / Al / L = 3000mm |
| 11 | 402-02106 | 1 | Rear corner right / Al / L = 3000mm |
| 12 | 154-03038 | 1 | Set reinforcements rear corners with bolts |
| 13 | 154-03044 | 1 | Mounting set rear Alto Trike Light |
| 14 | 152-02021 | 2 | Reinforcement side profile |
| 15 | 452-01114 | 2 | Side profile rear corner left |
| 16 | 452-01115 | 2 | Side profile rear corner right |
| 17 | 802-01007 | 4 | Pump Hydraman |
| 18 | 144-10095 | 4 | Set connect Hydraman |
| *19 | 452-01124 | 4 | Aluminium insert for corner profiles |

* Only needed with Penta sliders!

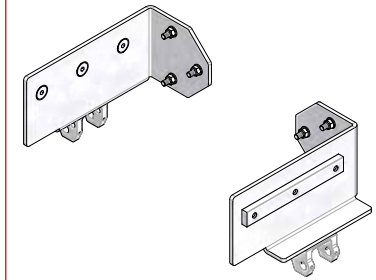
**Mounting set rear
Alto Trike Light rail**



PART NR.

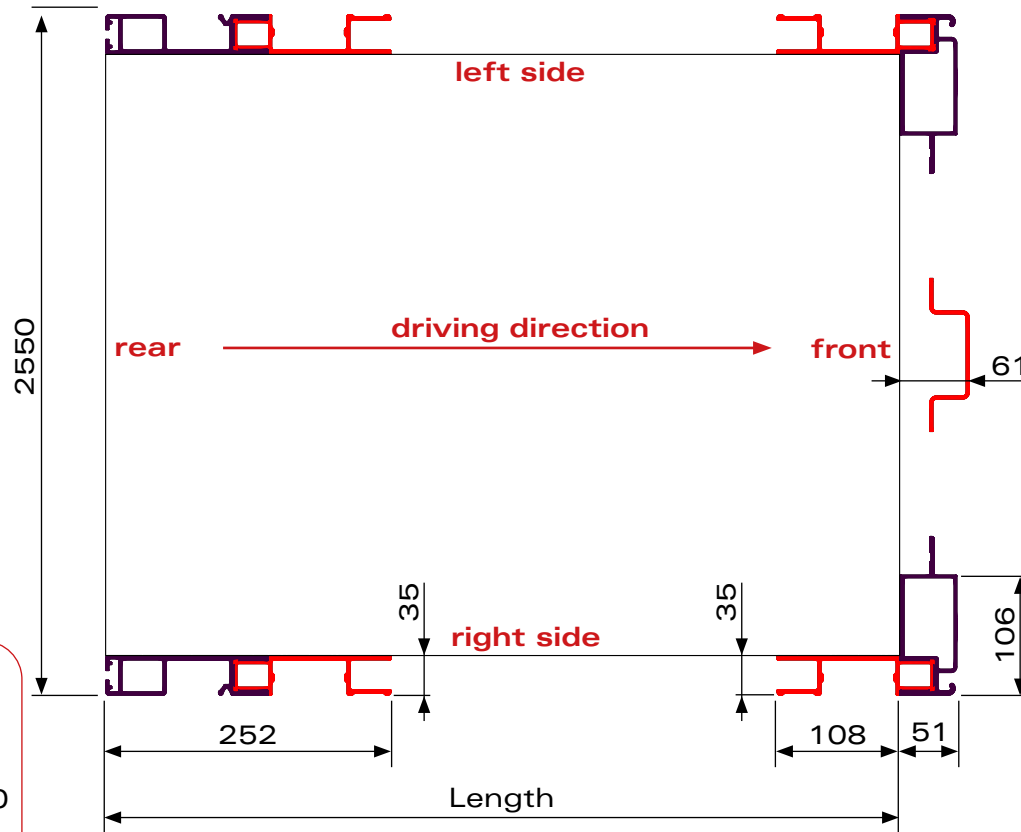
Set **154-03044**

**Mounting set front
Alto Trike Light rail**

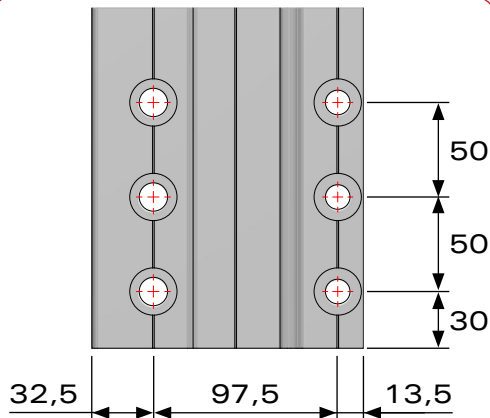


PART NR.

Set **154-03043**



Rear corners L = 3m

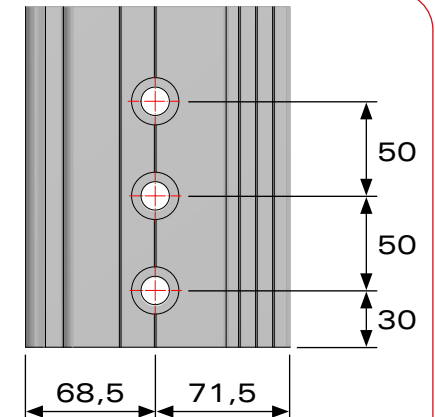


PART NR.

Left **402-02105**

Right **402-02106**

Front corners L = 3m

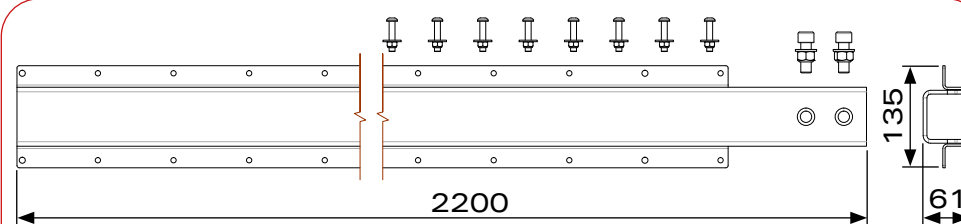


PART NR.

Left **452-01110**

Right **452-01111**

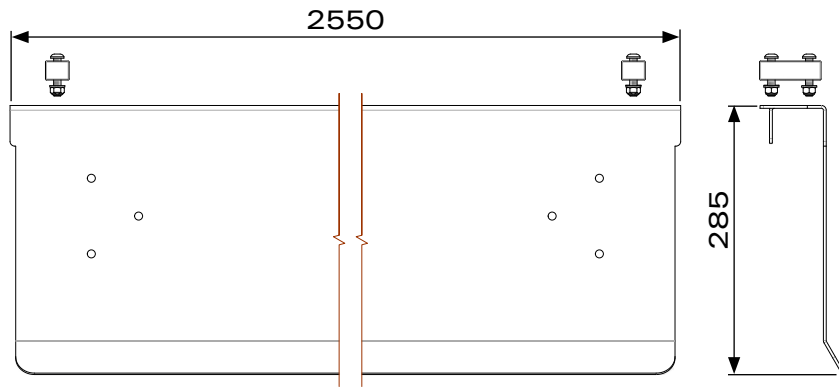
Set bulkhead support



PART NR.

154-03036

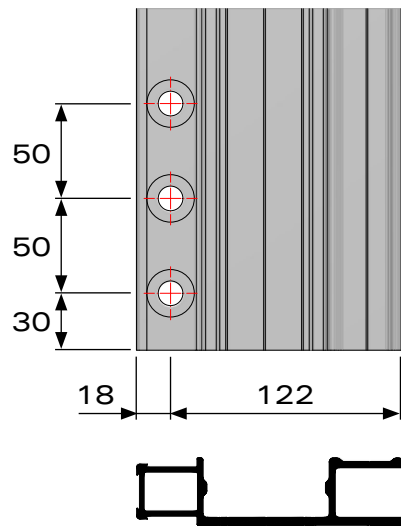
Set upperbeam lifting roof Alto Trike Light



PART NR.

Set 451-10001

Side profile L = 3m

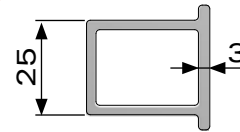


PART NR.

Left 452-01114

Right 452-01115

Al insert for corner profiles

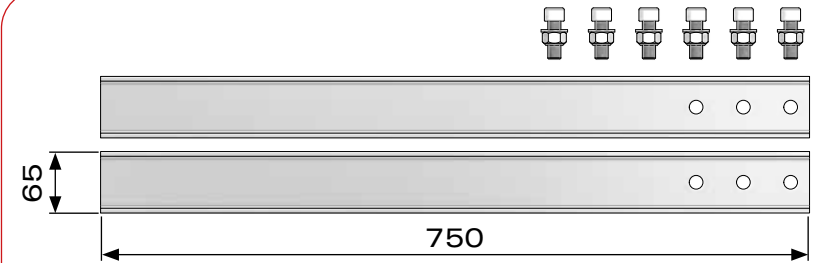


PART NR.

452-01124

** Only needed by Penta sliders!*

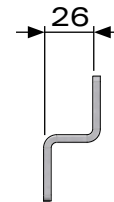
Set reinforcements front corners



PART NR.

154-03037

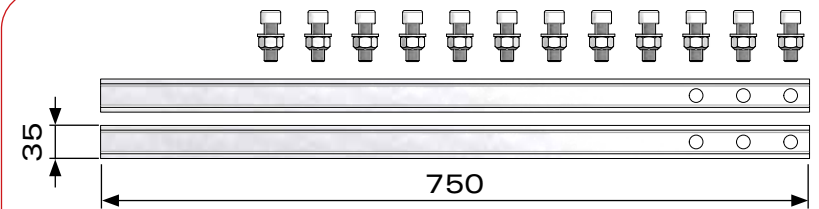
Bottom profile



PART NR.

452-04002

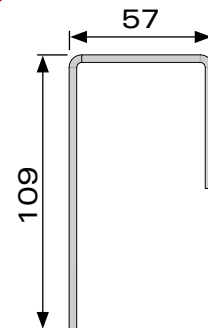
Set reinforcements rear corners



PART NR.

154-03038

Connecting profile lifting roof wall



PART NR.

452-10002

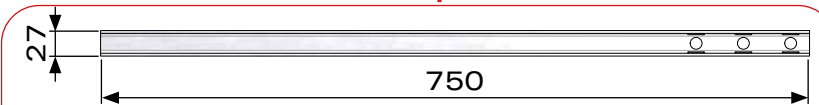
Sealing profile bulkhead



PART NR.

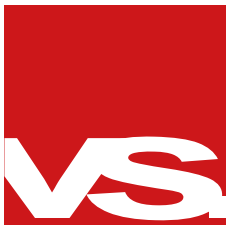
451-04001

Set reinforcements side profile



PART NR.

152-02021



Versus-Omega

Nijverheidslaan 1527a
B-3660 Oudsbergen
Belgium

t. +32 89 320 190
e. info@versus-omega.com
w. www.versus-omega.com