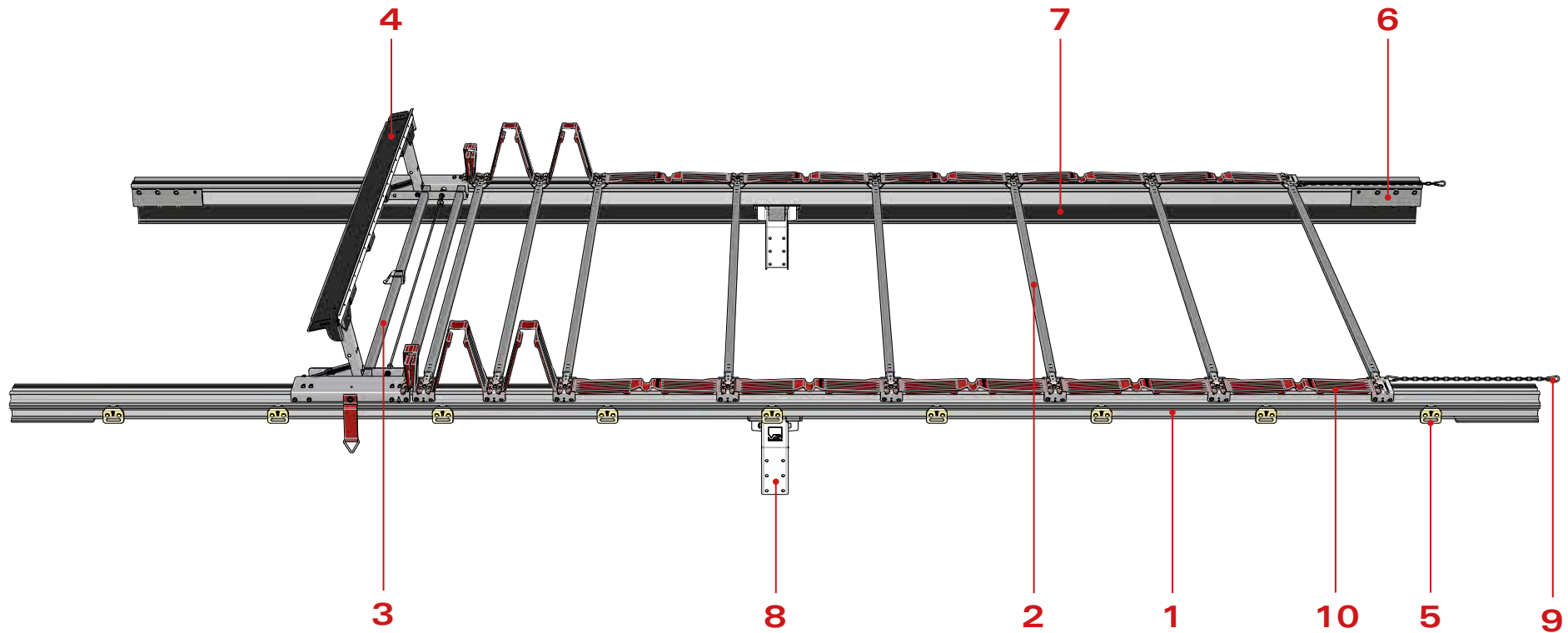




Ω: ALTO TRIKE LIGHT

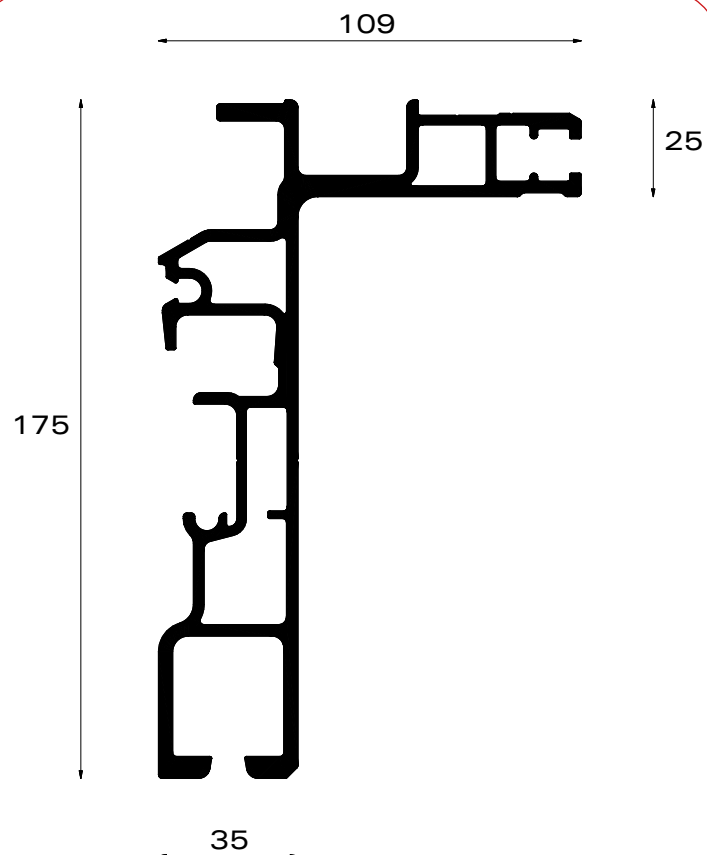
Versus



1	Alto Trike Light rail
2	Roof stick
3	Collapsible backside
4	Back beam
5	Trike roller
6	Set mounting plates

7	PVC pelmet
8	Pillar bracket
9	Set accessories
10	Folding plate
11	Carapax plate
12	Pull bar

1 Alto Trike Light rail



PART NR.

L = 7,8m	162-22780
L = 8,5m	162-22850

$I_x : 681\text{cm}^4$
 $I_y : 162\text{cm}^4$
 $\pm 5,8 \text{ kg/m}$

2a Roof stick for sliding roof



PART NR.

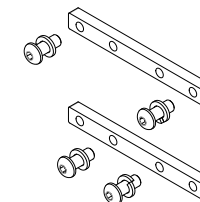
SB=2550 - Type SP	224-01001
SB=2550 - Type AS (Al)	224-03001

2b Roof stick for fixed roof with polyester cover



PART NR.

SB=2550 - Type SP	224-41101
SB=2550 - Type AS (Al)	224-43101
Mounting set roof stick fix	144-10048



* Roof stick screwed to rail with bolts

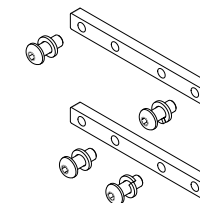
* 1 set/roof stick

2c Roof stick for fixed roof with tarpaulin cover



PART NR.

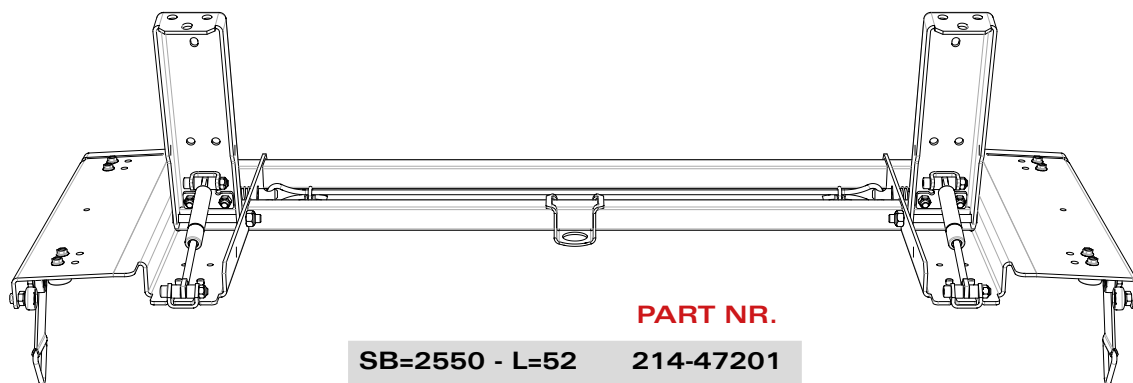
SB=2550 - Type SP	224-41211
SB=2550 - Type AS (Al)	224-43211
Mounting set roof stick fix	144-10048



*Roof stick screwed to rail with bolts

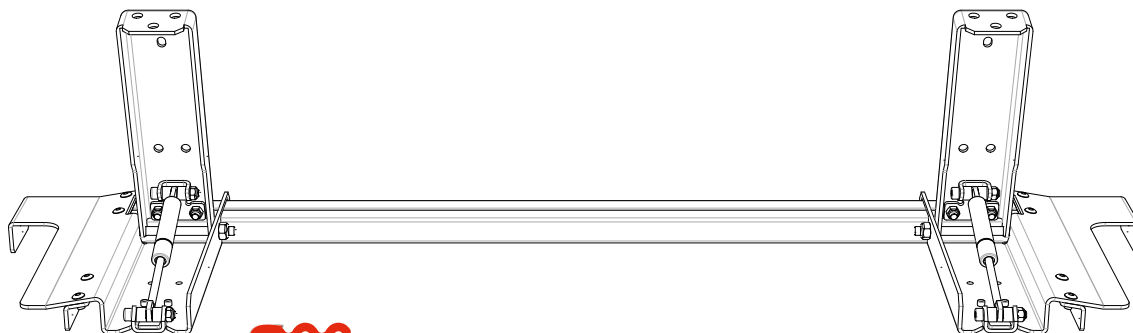
* 1 set/roof stick

3a Collapsible backside



PART NR.
SB=2550 - L=52 214-47201

3b Collapsible backside for fixed roof with tarpaulin cover



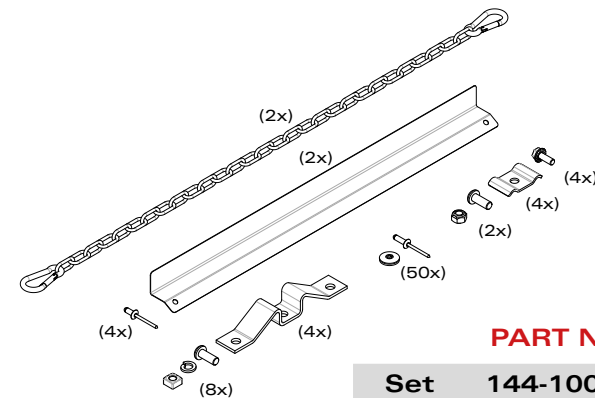
PART NR.
SB=2550 - L=100 324-47201

Front header



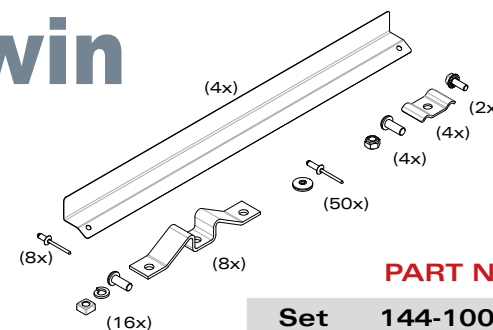
PART NR.
SB=2550 234-21001

9a Set accessories



PART NR.
Set 144-10001

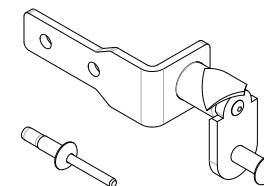
9b Set accessories Twin



PART NR.
Set 144-10018

* Alto Trike Light Twin sliding roof: this set replaces the basic set accessories (144-10001)!

9c Set lock collapsible backside



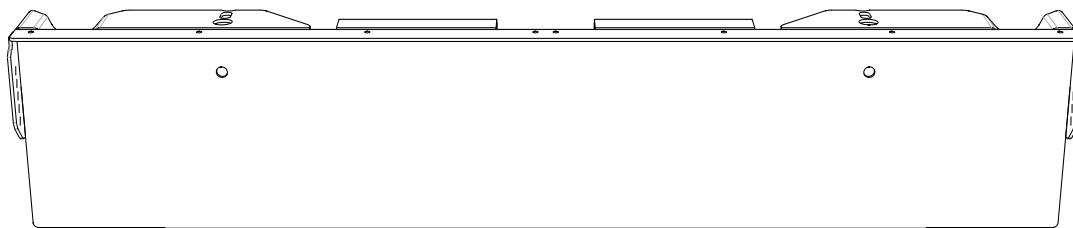
PART NR.
Set 144-10086

9d Set accessories external unlocking



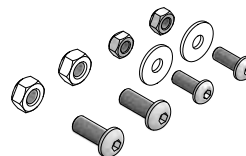
PART NR.
Set 144-10174

4a Back beam

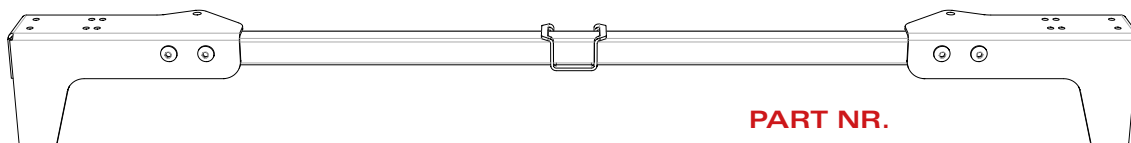


PART NR.

SB=2550 - 208Z	193-18001
Mounting set	144-10022



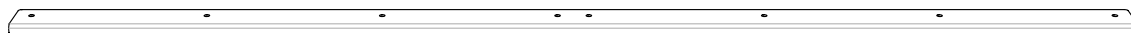
4b Back beam



PART NR.

Set back beam tube 30x30mm	144-10037
Tube 30x30x2mm	112-07001

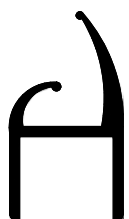
Rain strip for back beam (4a)



PART NR.

SB=2550	192-01601
---------	-----------

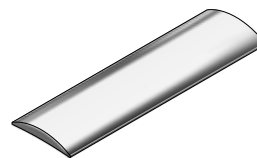
Rain strip for front header



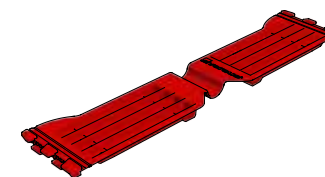
ttwin

PART NR.

Rain strip SB=2550	192-01606
PVC pelmet L = 2,6m (black)	242-20001
Mounting strip 30x5mm L= 2,6m	292-07001



10 Folding plate



PART NR.

Type 400	242-01004
Type 500	242-01005
Type 600	242-01006
Type 700	242-01007
Type 570	242-01057
Type 650	242-01065

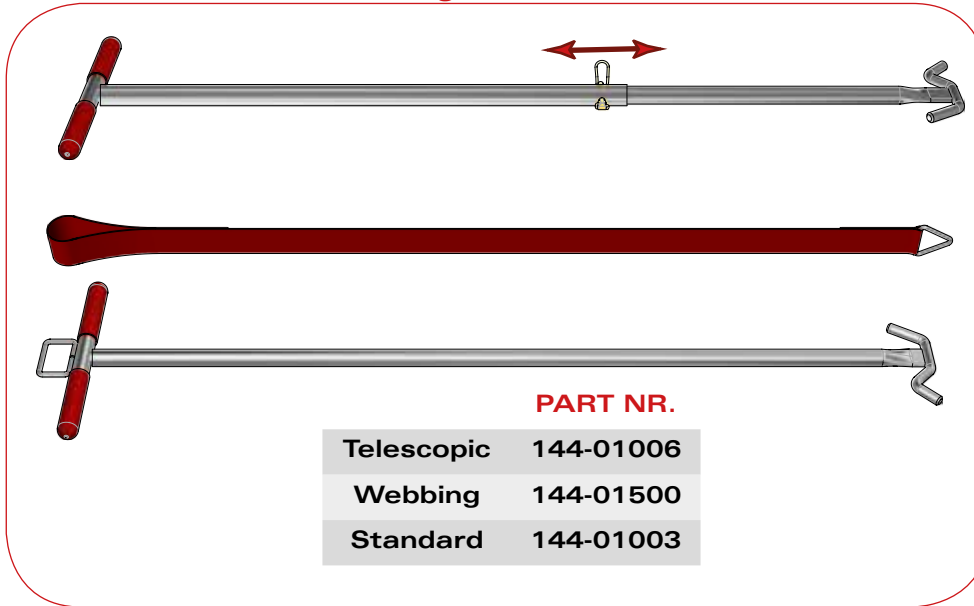
7 PVC pelmet (black)



PART NR.

L = 9m	242-14109
L = 14m	242-14114

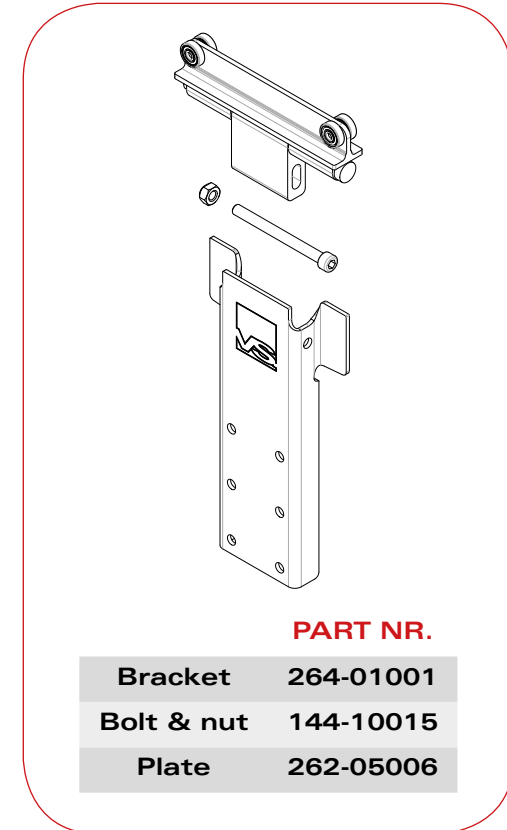
12 Pull bars & webbing



PART NR.

Telescopic	144-01006
Webbing	144-01500
Standard	144-01003

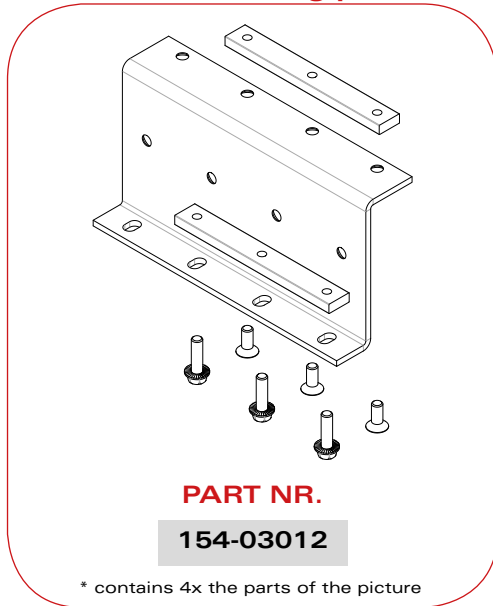
8 Pillar bracket



PART NR.

Bracket	264-01001
Bolt & nut	144-10015
Plate	262-05006

6 Set mounting plates

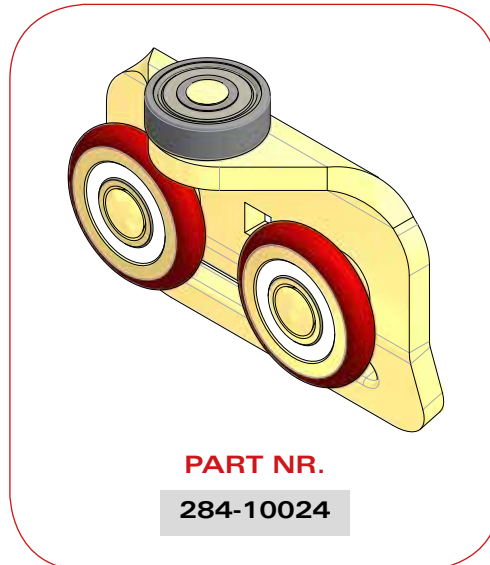


PART NR.

154-03012

* contains 4x the parts of the picture

5 Trike roller



PART NR.

284-10024

11 Carapax plate

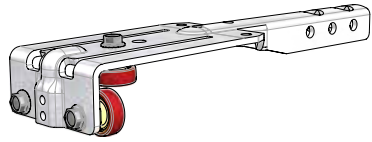


PART NR.

291-03004

* only needed for roof with Carapax cover

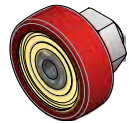
For roof sticks



Assembled bracket

PART NR.

174-02001



Roller bearing plastic

PART NR.

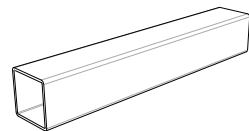
132-01001



Bolt tensilock M6x16mm

PART NR.

091-23001

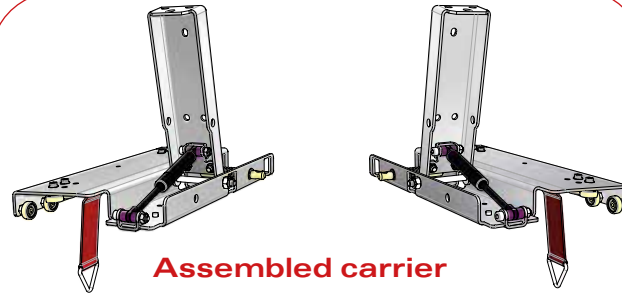


Tube 30x30x1,5mm

PART NR.

L = 2185mm 112-01003

For collapsible backside

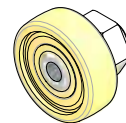


Assembled carrier

PART NR.

Left 204-47201

Right 204-47202



Roller bearing steel

PART NR.

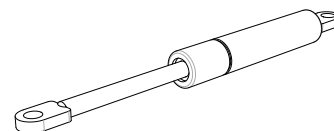
132-03001



Bolt tensilock M6x16mm

PART NR.

091-23001

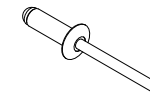


Gas spring 700N

PART NR.

302-01001

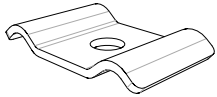
For accessories set



Rivet & washer

PART NR.

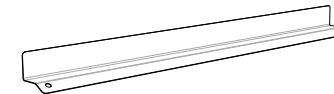
50 pieces 144-10003



Rope clamp

PART NR.

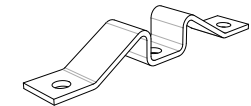
292-01001



Protection plate

PART NR.

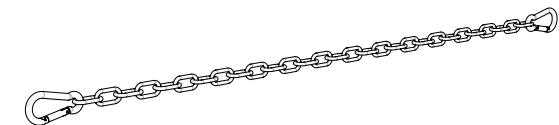
142-06006



Locking nose

PART NR.

142-05002

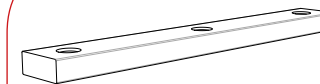


Chain with 2 hooks

PART NR.

142-07001

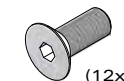
For mounting set



Mounting block

PART NR.

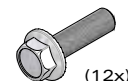
152-02001



Bolt M10x25mm

PART NR.

091-26002



Bolt tensilock M10x35mm

PART NR.

091-23002



Versus-Omega

Nijverheidslaan 1527a
B-3660 Oudsbergen
Belgium

t. +32 89 320 190
f. +32 89 320 199
e. info@versus-omega.com
w. www.versus-omega.com

