



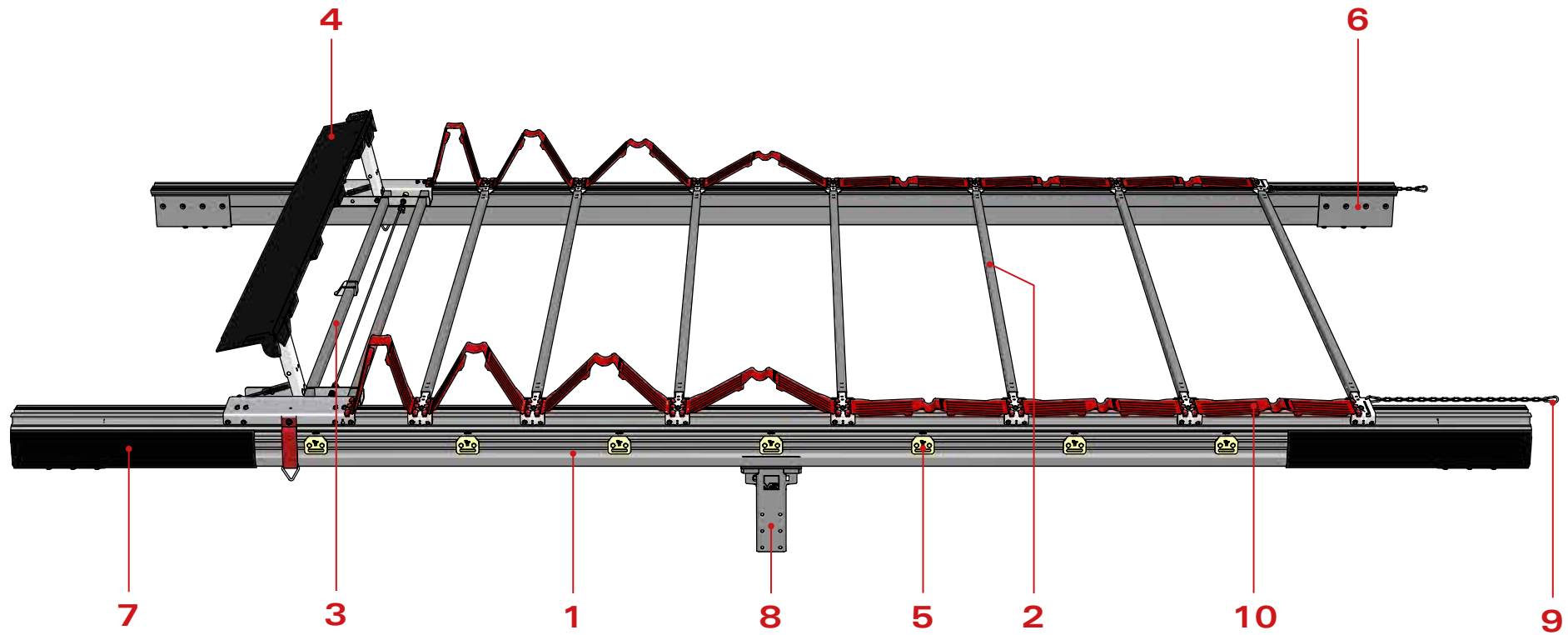
Revision: 01-10-19

Versus-omega preserves the right to alter parts and drawings at all times. Check online for the most recent updated versions.



Ω: ALTO TRIKE

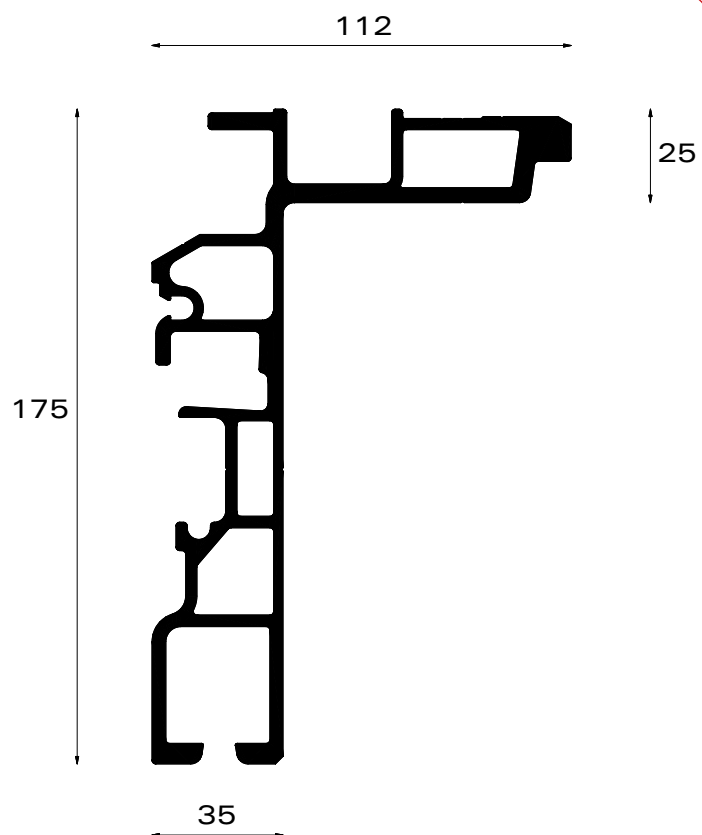
VS



1	Alto Trike rail	7	PVC pelmet
2	Roof stick	8	Pillar bracket
3	Collapsible backside	9	Set accessories
4	Back beam	10	Folding plate
5	Trike roller	11*	Carapax plate
6	Set mounting plates	12*	Pull bar

* Not visible on the composition drawing above

1 Alto Trike rail



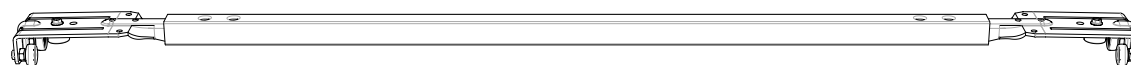
PART NR.

* L = 10,2m	162-36102
* L = 13,6m	162-36136

*profile with pre-bending

$I_x : 711\text{cm}^4$
 $I_y : 213\text{cm}^4$
 $\pm 6,1 \text{ kg/m}$

2a Roof stick for sliding roof



PART NR.

SB=2550 - Type SP	224-01001
SB=2550 - Type AS (Al)	224-03001

2b Roof stick with anti-fly hook for sliding roof



PART NR.

SB=2550 - Type SP	224-91001
SB=2550 - Type AS (Al)	224-93001

2c Roof stick for fixed roof with tarpaulin cover



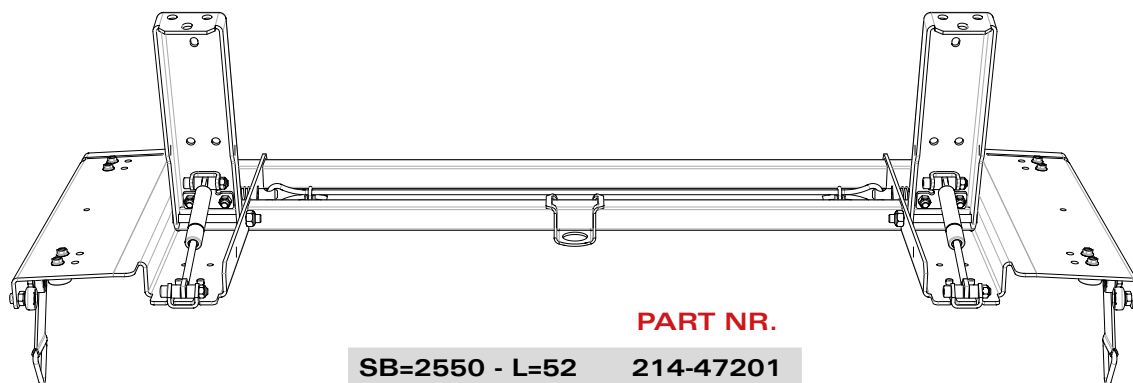
PART NR.



SB=2550 - Type SP	224-41201
SB=2550 - Type AS (Al)	224-43201

* Roof stick riveted to rail with monobolts

3a Collapsible backside



PART NR.
SB=2550 - L=52 214-47201

3b Collapsible backside for fixed roof with tarpaulin cover



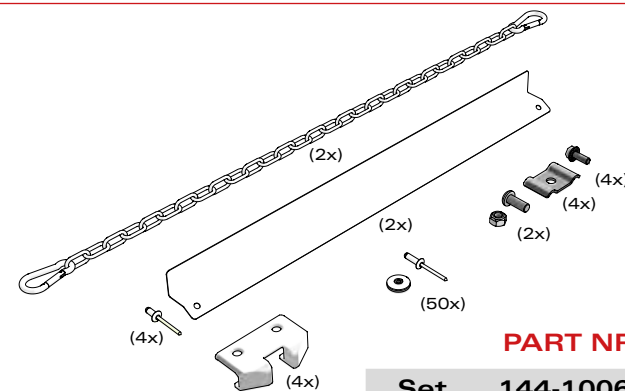
PART NR.
SB=2550 - L=100 324-47001

Front header



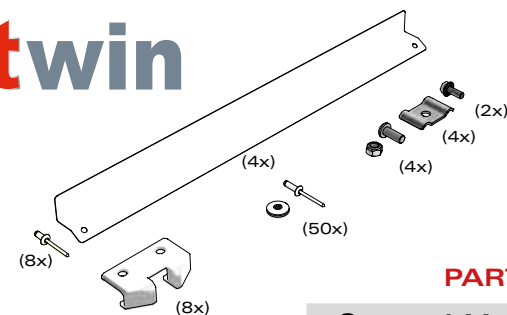
PART NR.
SB=2550 234-21001

9a Set accessories



PART NR.
Set 144-10067

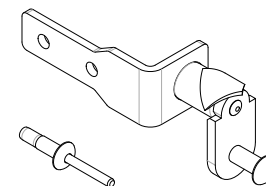
9b Set accessories Twin



PART NR.
Set 144-10082

* Alto Trike Twin sliding roof: this set replaces the basic accessories set (144-10067)!

9c Set lock collapsible backside



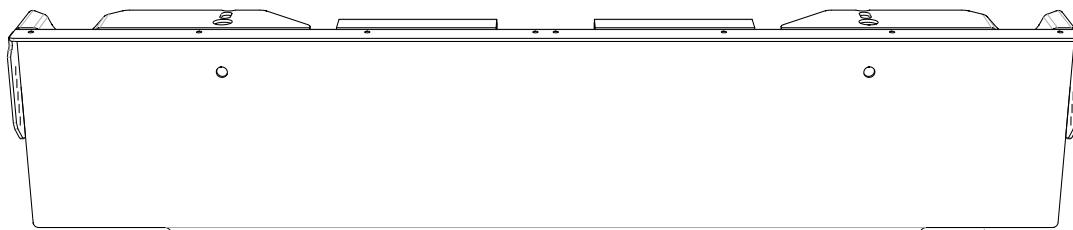
PART NR.
Set 144-10086

9d Set accessories external unlocking

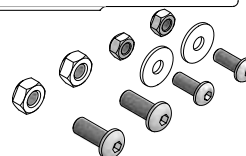


PART NR.
Set 144-10174

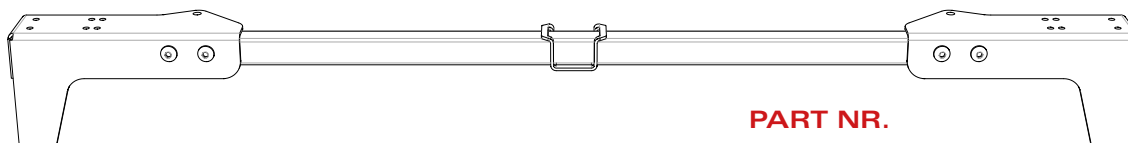
4a Back beam



	PART NR.
SB=2550 - 208Z	193-18001
Mounting set	144-10022

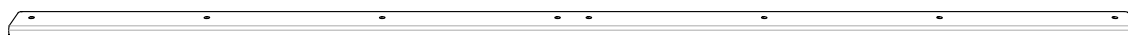


4b Back beam



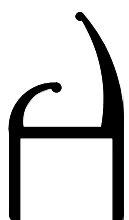
	PART NR.
Set back beam tube 30x30mm	144-10037
Tube 30x30x2mm	112-07001

Rain strip for back beam (4a)



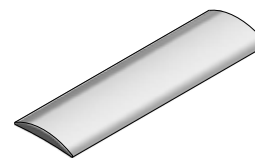
	PART NR.
SB=2550	192-01601

Rain strip for front header

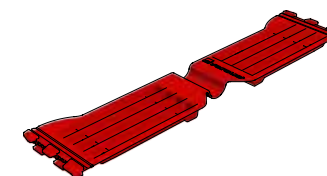


ttwin

	PART NR.
Rain strip SB=2550	192-01606
PVC pelmet L = 2,6m (black)	242-20001
Mounting strip 30x5mm L= 2,6m	292-07001



10 Folding plate



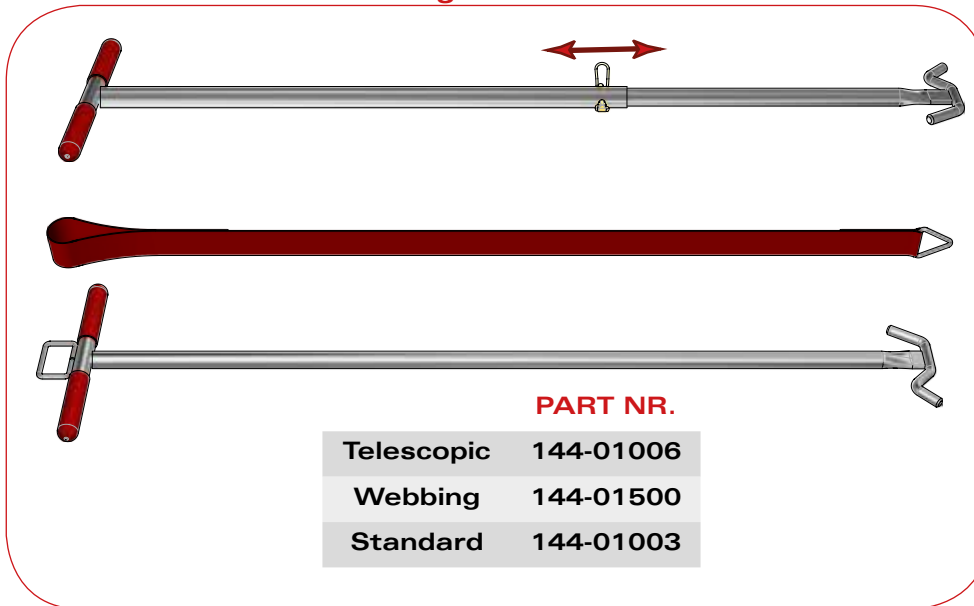
	PART NR.
Type 400	242-01004
Type 500	242-01005
Type 600	242-01006
Type 700	242-01007
Type 570	242-01057
Type 650	242-01065

7 PVC pelmet (black)



	PART NR.
L = 9m	242-14109
L = 14m	242-14114

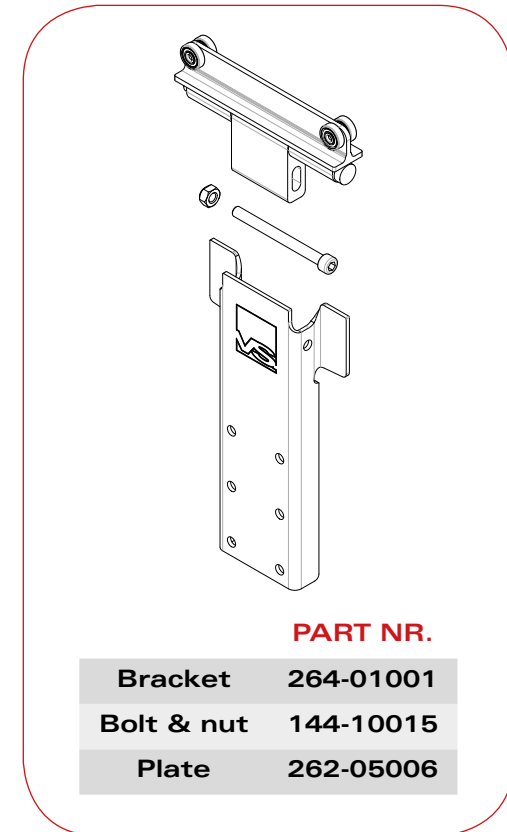
12 Pull bars & webbing



PART NR.

Telescopic	144-01006
Webbing	144-01500
Standard	144-01003

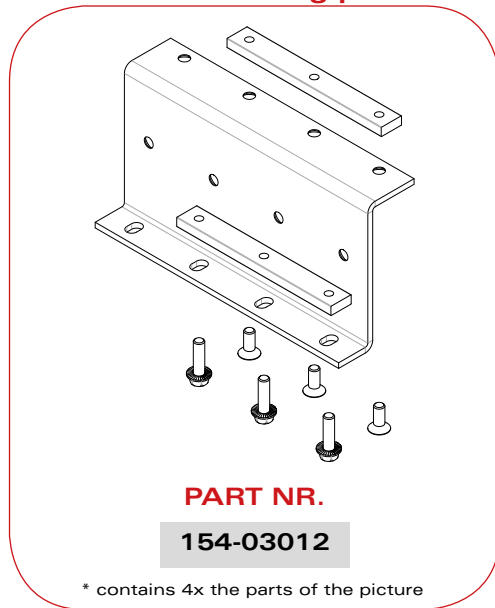
8 Pillar bracket



PART NR.

Bracket	264-01001
Bolt & nut	144-10015
Plate	262-05006

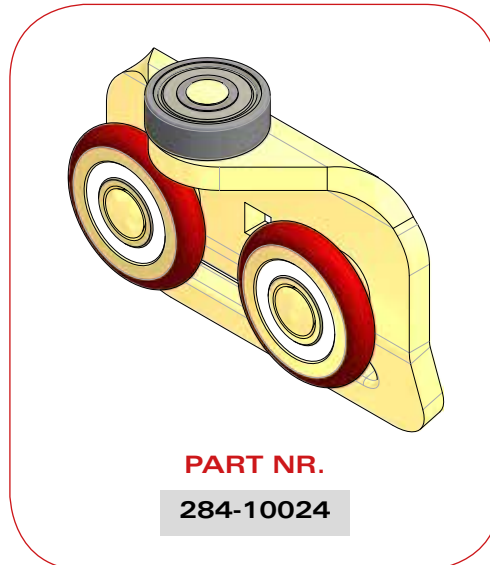
6 Set mounting plates



PART NR.
154-03012

* contains 4x the parts of the picture

5 Trike roller



PART NR.
284-10024

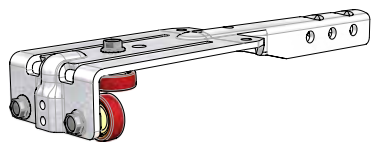
11 Carapax plate



PART NR.
291-03004

* only needed for roof with Carapax cover

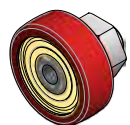
For roof sticks



Assembled bracket

PART NR.

174-02001



Roller bearing plastic

PART NR.

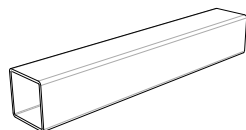
132-01001



Bolt tensilock M6x16mm

PART NR.

091-23001

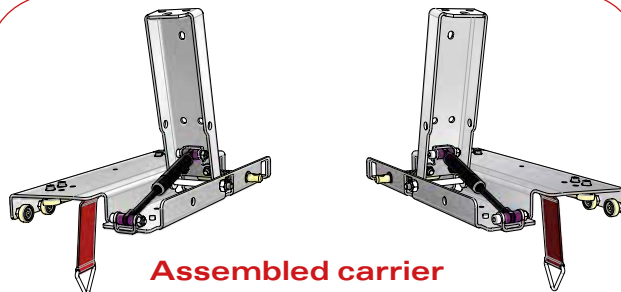


Tube 30x30x1,5mm

PART NR.

L = 2185mm 112-01003

For collapsible backside

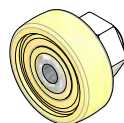


Assembled carrier

PART NR.

Left 204-47201

Right 204-47202



Roller bearing steel

PART NR.

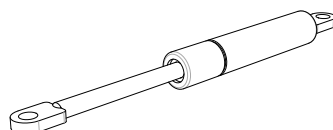
132-03001



Bolt tensilock M6x16mm

PART NR.

091-23001

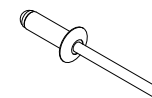


Gas spring 700N

PART NR.

302-01001

For accessories set



Rivet & washer

PART NR.

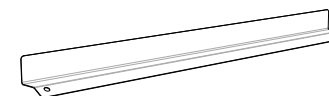
50 pieces 144-10003



Rope clamp

PART NR.

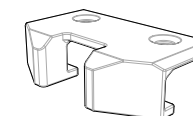
292-01001



Protection plate

PART NR.

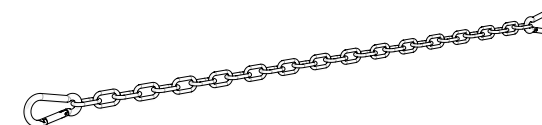
142-06006



Locking nose

PART NR.

142-05020

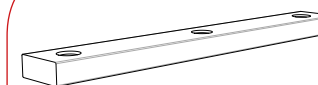


Chain with 2 hooks

PART NR.

142-07001

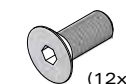
For mounting set



Mounting block

PART NR.

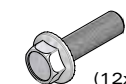
152-02001



**Bolt
M10x25mm**

PART NR.

091-26002



**Bolt tensilock
M10x35mm**

PART NR.

091-23002



Versus-Omega

Nijverheidslaan 1527a
B-3660 Oudsbergen
Belgium

t. +32 89 320 190
f. +32 89 320 199
e. info@versus-omega.com
w. www.versus-omega.com

