



**axces**  
lifting systems

Revision 15/10/2021

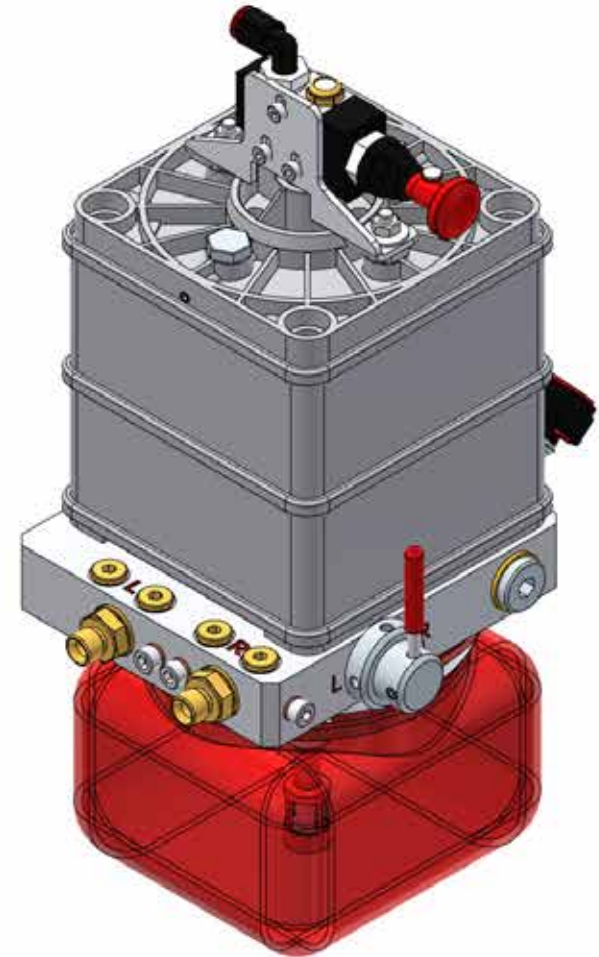
# VS



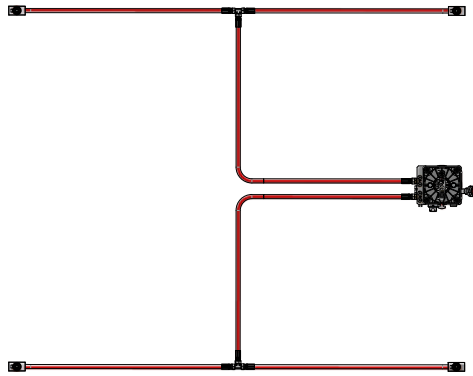
**◆ : HYDRAMATIC**



**axces**hydramatic  
lifting systems by versus



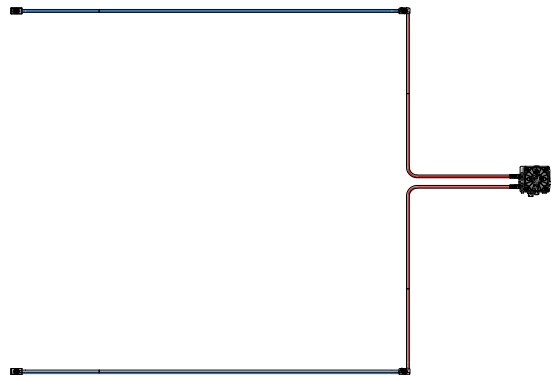
**TYPE S1**



**S1:** Roof can be lifted each side separately or both sides together. The cylinders will not necessarily rise simultaneously but in a random order.

- Choose S1 if:**
- chassis-width  $\geq$  2550mm
  - and/or
  - chassis-length  $\geq$  5000mm
  - and/or
  - simultaneous lift of the cylinders is not important

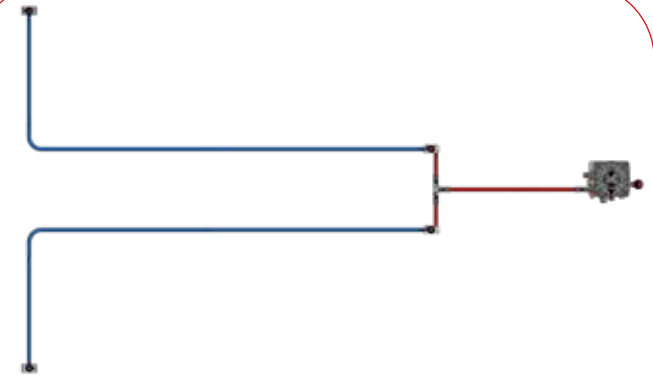
**TYPE S2**



**S2:** Roof can be lifted each side separately or both sides together. Each pair of cylinders (front + rear) will always rise simultaneously but if both sides of the roof are lifted at the same time both pairs will not necessarily rise simultaneously but in a random order.

- Choose S2 if:**
- chassis-width  $\geq$  2550mm
  - and/or
  - simultaneous lifting of each pair of cylinders is important

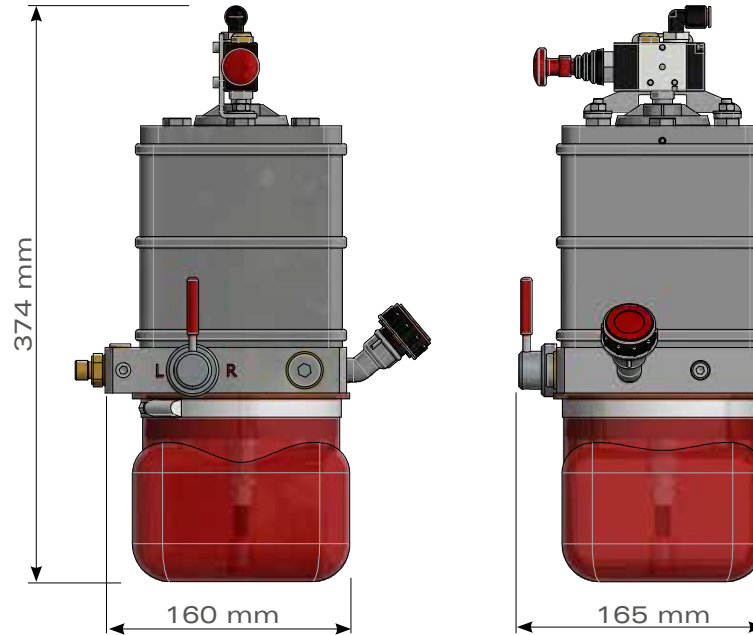
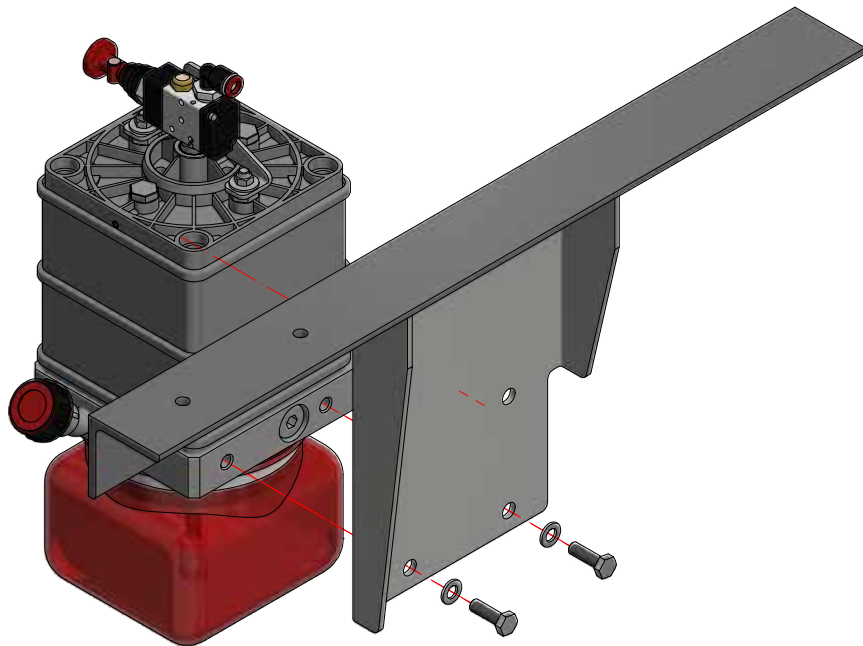
**TYPE S3**



**S3:** Roof can only be lifted completely (left and right side together). All 4 cylinders will rise simultaneously.

- Choose S3 if:**
- chassis dimensions don't allow the use of S1 or S2
  - and/or
  - lifting all 4 corners of the roof simultaneously is important (e.g. because of a stiff, welded roof structure that can be damaged if not lifted simultaneously)

|                 |   |   |   |                  |                  |                  |                  |
|-----------------|---|---|---|------------------|------------------|------------------|------------------|
|                 |   |   |   |                  |                  |                  |                  |
| <b>PART NR.</b> |   |   |   | <b>802-01011</b> | <b>802-05004</b> | <b>802-05005</b> | <b>802-06001</b> |
| Type S1         | ✓ | ✓ | ✓ | 1x               | 4x               |                  | 2x               |
| Type S2         | ✓ | ✓ | ✓ | 1x               | 2x               | 2x               |                  |
| Type S3         |   |   | ✓ | 1x               | 2x               | 2x               | 1x               |

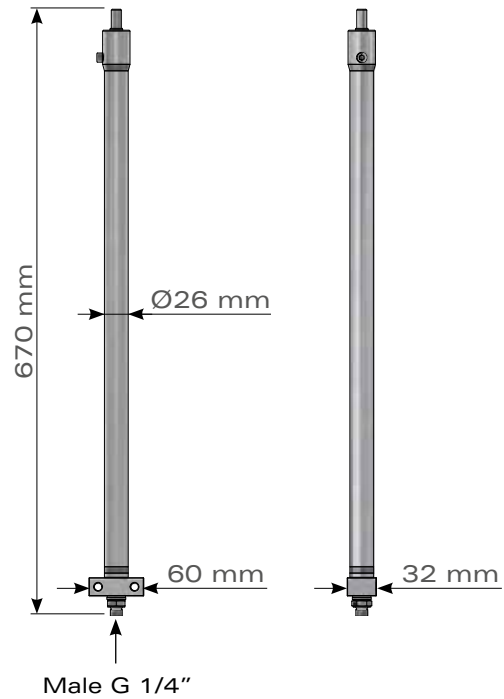
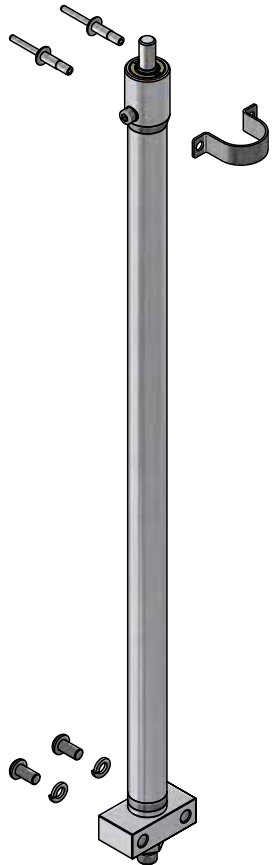


**Hydramatic pump** **802-01011**

\* The oil we recommend to use = HLP 46 or HLP 68



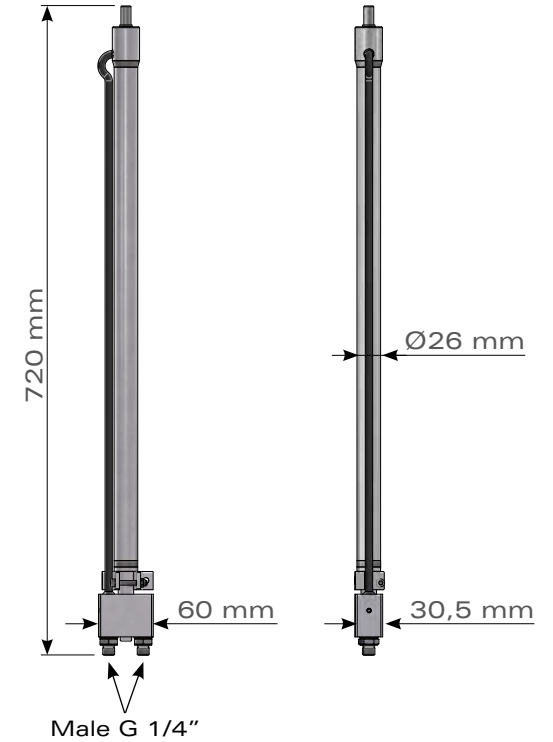
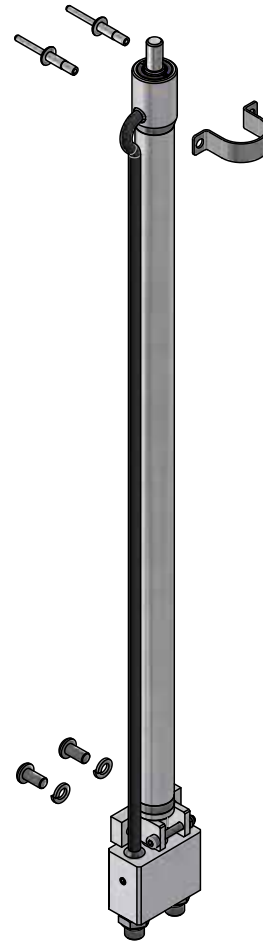
**Mounting set Hydramatic pump** **802-06039**



**Cylinder 500 SE**

**PART NR.**  
**802-05004**

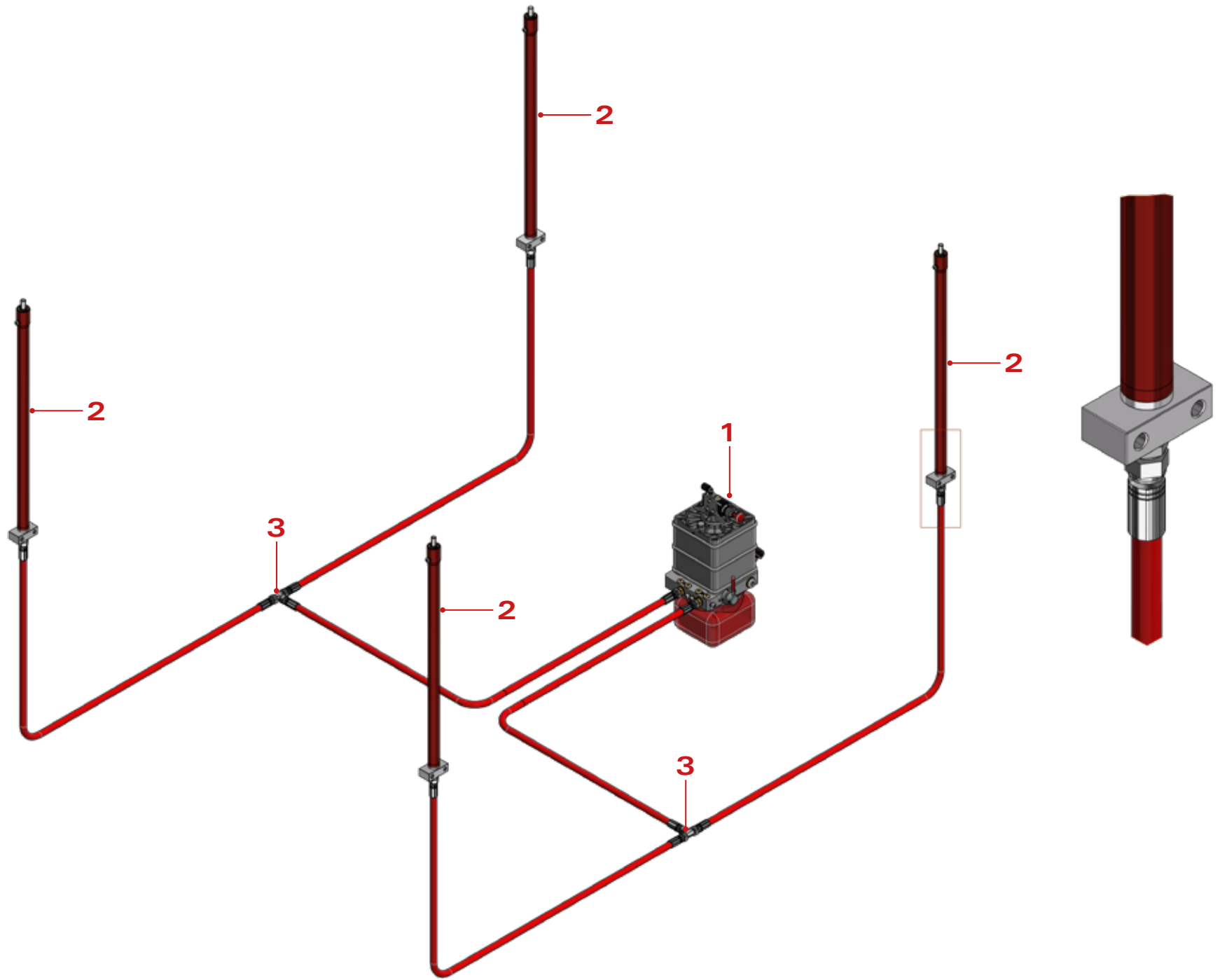
- \* Each cylinder must be combined with a set connect Hydraman or set lift & drive Hydraman.
- \*\* The mounting set for the cylinder is included in the set connect Hydraman (144-10095) or in the set lift & drive Hydraman (144-10109).

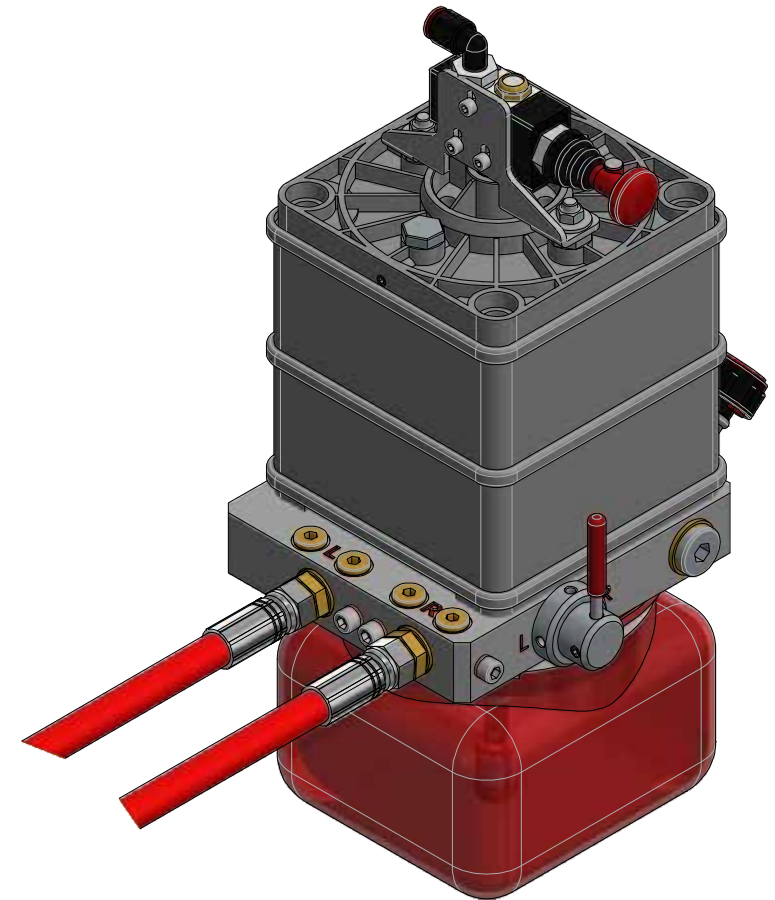
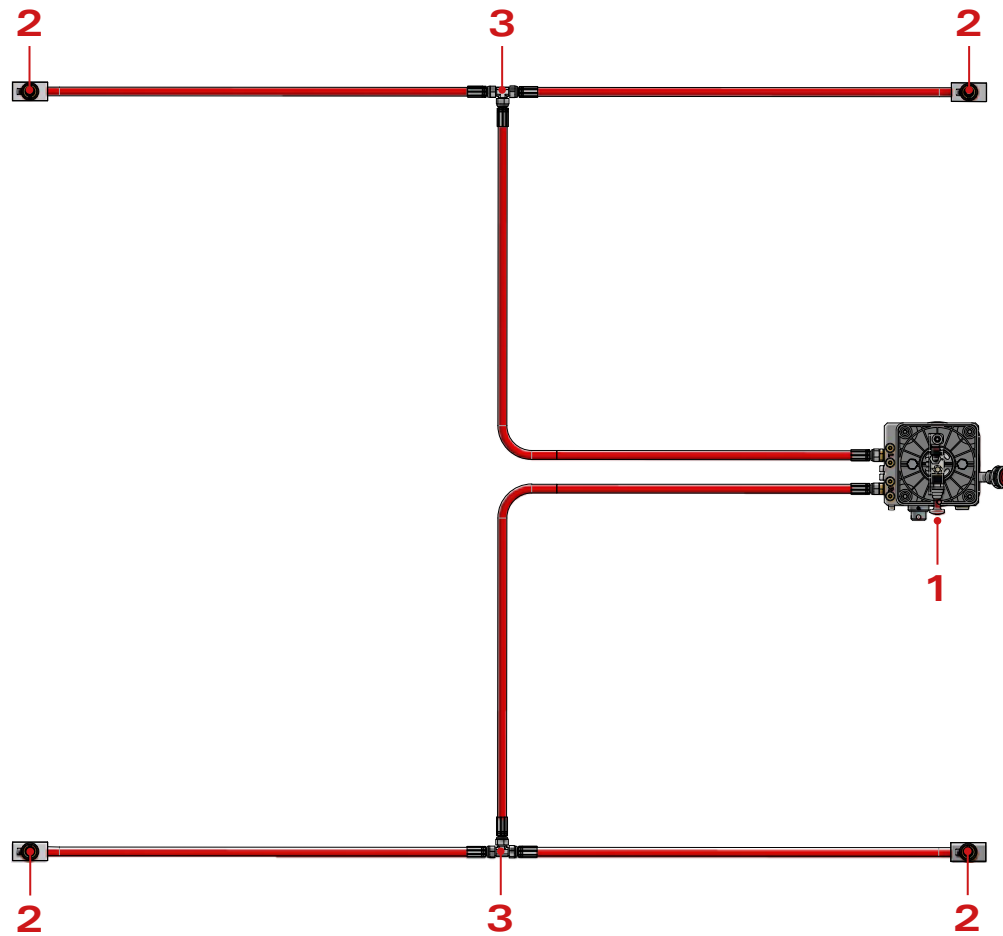


**Cylinder 500 DE**

**PART NR.**  
**802-05005**

- \* Each cylinder must be combined with a set connect Hydraman or set lift & drive Hydraman.
- \*\* The mounting set for the cylinder is included in the set connect Hydraman (144-10095) or in the set lift & drive Hydraman (144-10109).





| Nr. | Part Nr.  | Qty | Description                  |
|-----|-----------|-----|------------------------------|
| 1   | 802-01011 | 1   | Pump-unit Hydramatic 1,5L    |
| 2   | 802-05004 | 4   | Cylinder Hydramatic 500 SE   |
| 3   | 802-06001 | 2   | Set connectors Hydramatic S1 |
| **  | 144-10095 | (4) | Set connect Hydraman         |
| **  | 144-10109 | (4) | Set lift & drive Hydraman    |

\* The oil and air ducts are not supplied by Versus-Omega

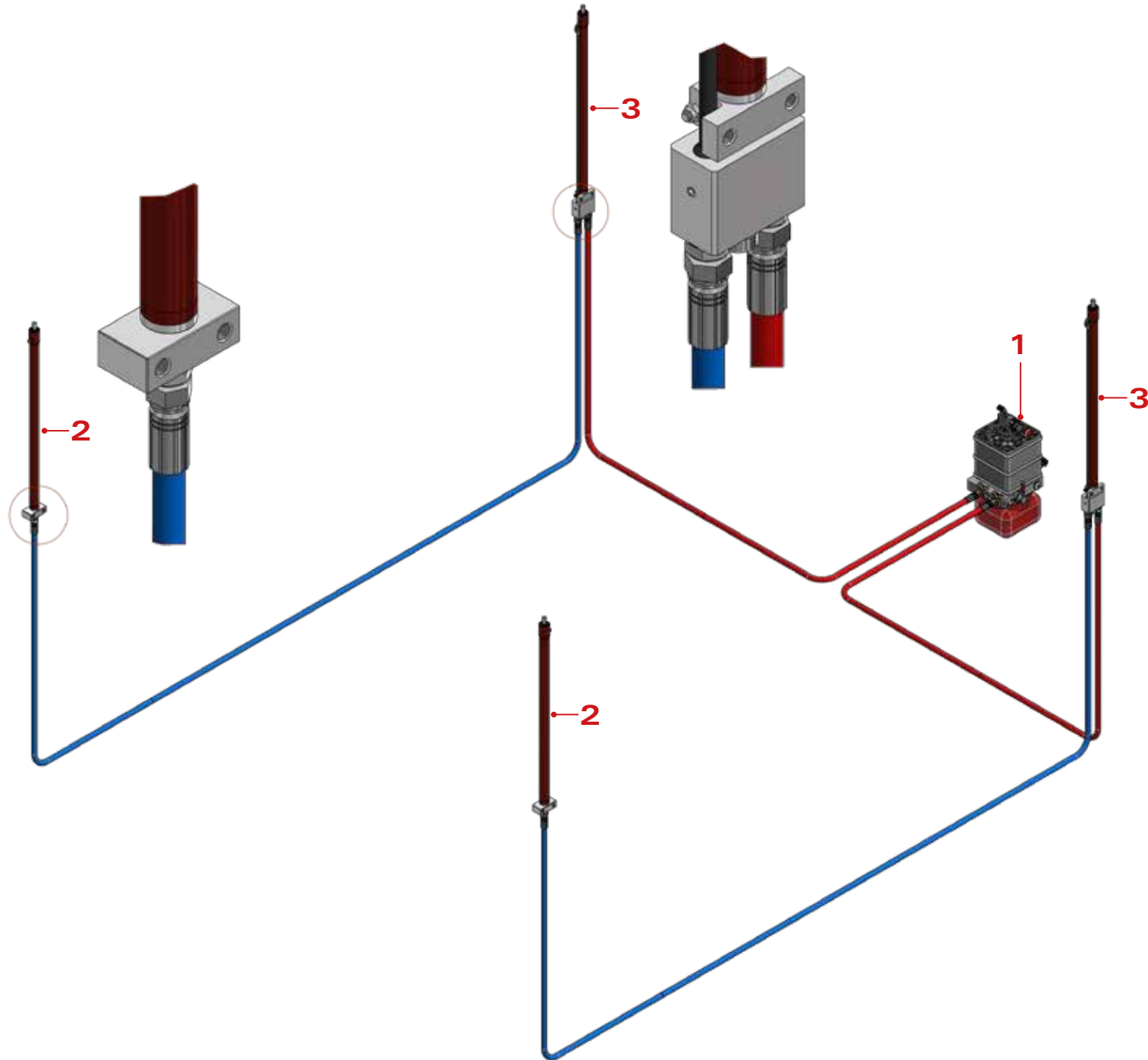
\*\* Each cylinder must be combined with a set connect Hydraman or set lift & drive Hydraman. These are not shown in the images.



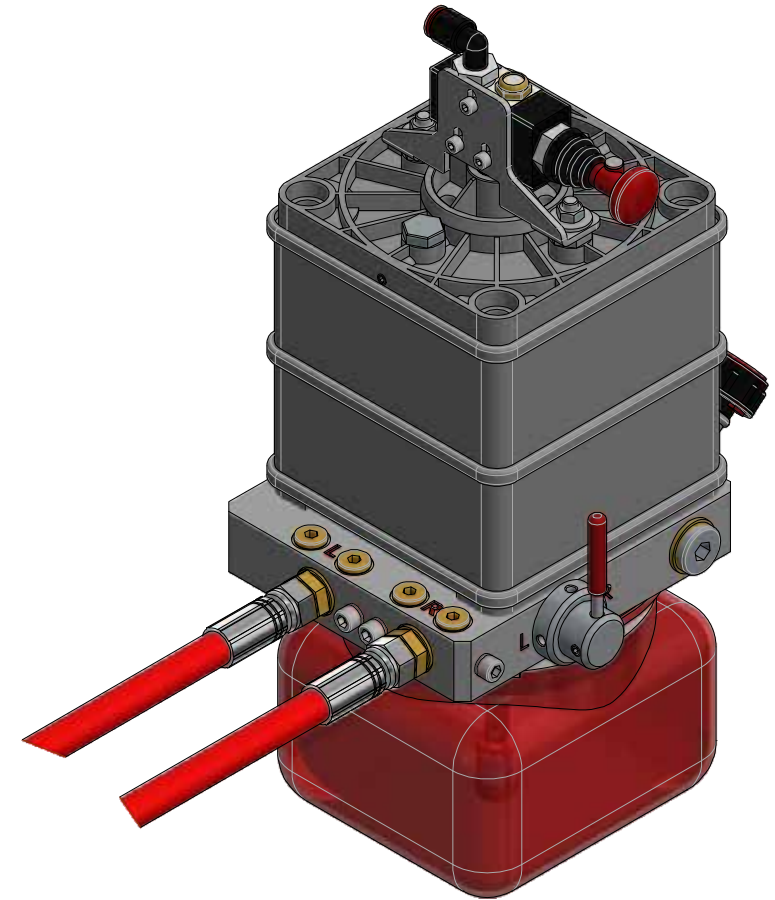
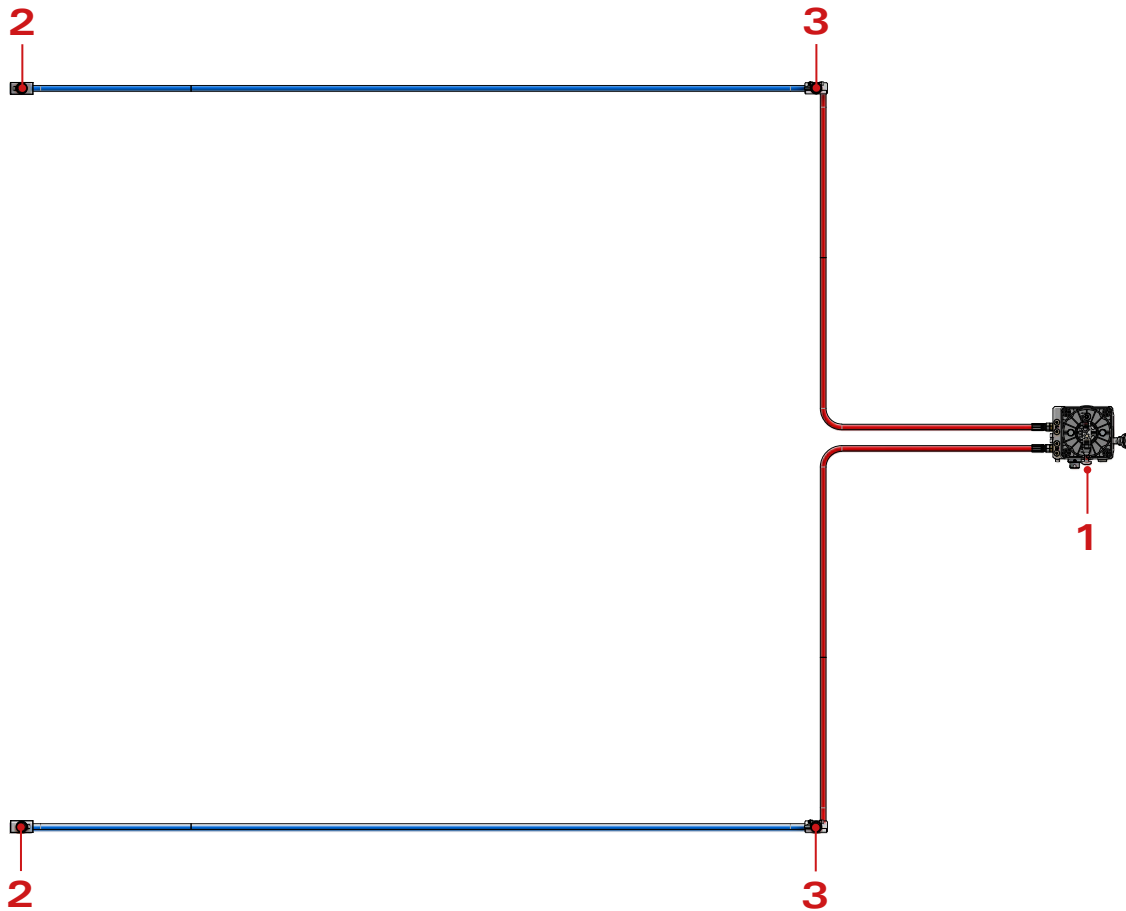
**PART NR.**

**Connector Hydramatic S1**

**802-06001**



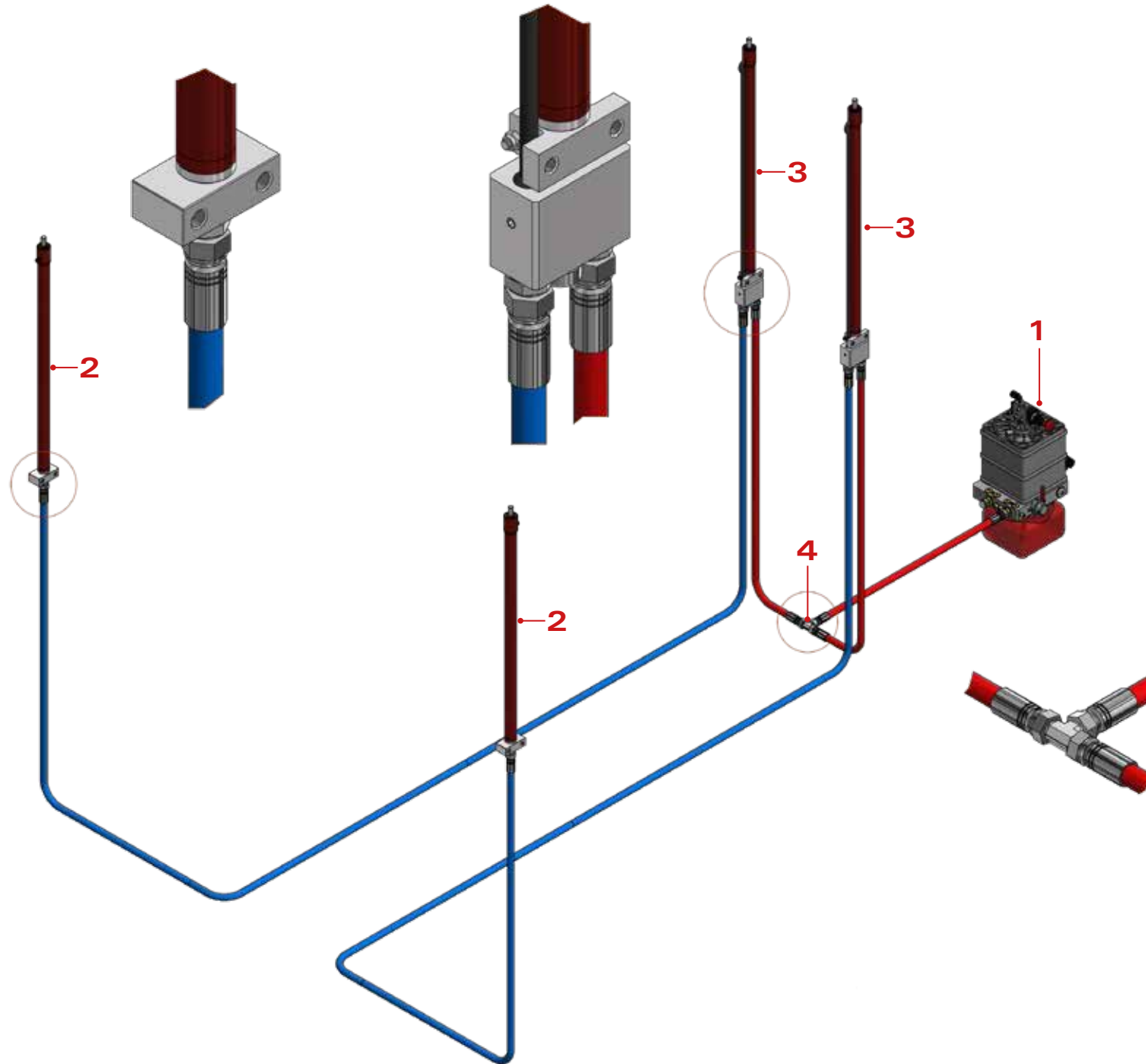


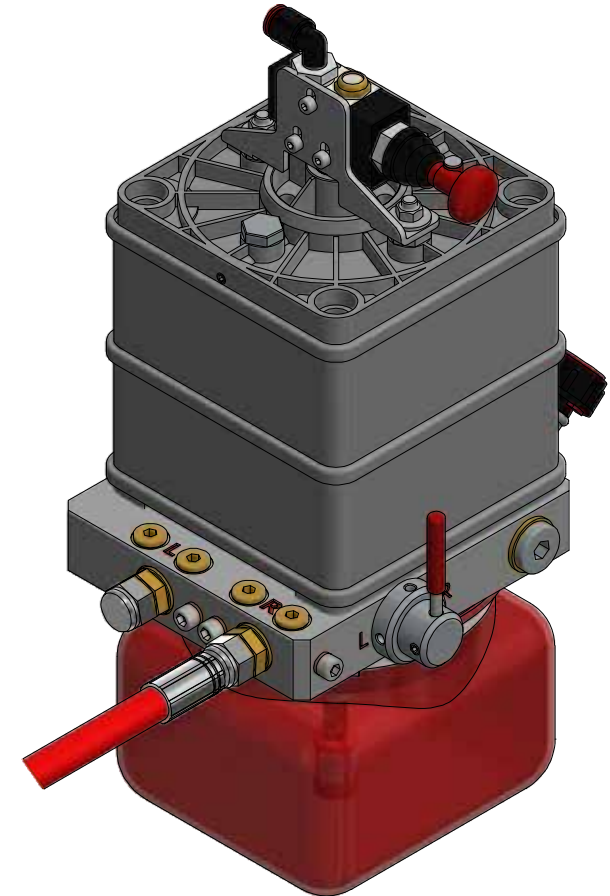
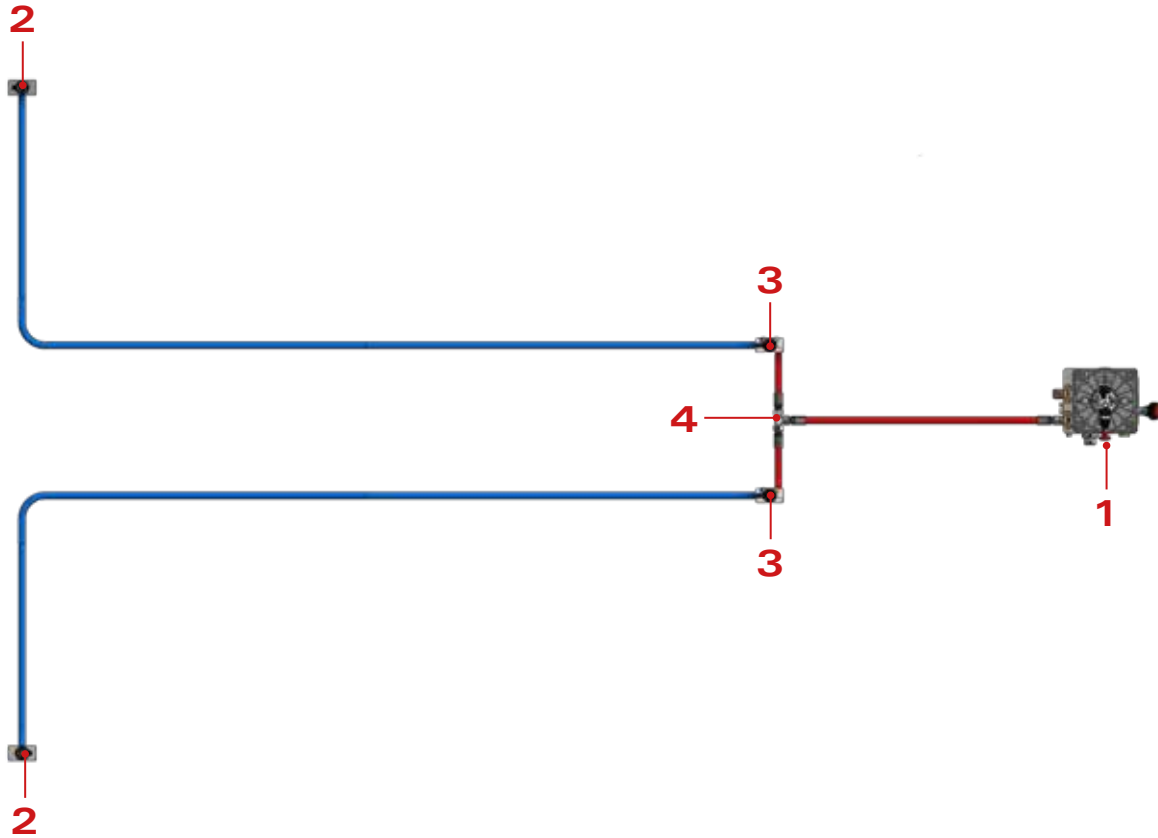


| Nr. | Part Nr.  | Qty | Description                |
|-----|-----------|-----|----------------------------|
| 1   | 802-01011 | 1   | Pump-unit Hydramatic 1,5L  |
| 2   | 802-05004 | 2   | Cylinder Hydramatic 500 SE |
| 3   | 802-05005 | 2   | Cylinder Hydramatic 500 DE |
| **  | 144-10095 | (4) | Set connect Hydraman       |
| **  | 144-10109 | (4) | Set lift & drive Hydraman  |

\* The oil and air ducts are not supplied by Versus-Omega

\*\* Each cylinder must be combined with a set connect Hydraman or set lift & drive Hydraman. These are not shown in the images.





| Nr. | Part Nr.  | Qty | Description                |
|-----|-----------|-----|----------------------------|
| 1   | 802-01011 | 1   | Pump-unit Hydramatic 1,5L  |
| 2   | 802-05004 | 2   | Cylinder Hydramatic 500 SE |
| 3   | 802-05005 | 2   | Cylinder Hydramatic 500 DE |
| 4   | 802-06001 | 1   | Connector Hydramatic S3    |
| **  | 144-10095 | (4) | Set connect Hydraman       |
| **  | 144-10109 | (4) | Set lift & drive Hydraman  |

\* The oil and air ducts are not supplied by Versus-Omega

\*\* Each cylinder must be combined with a set connect Hydraman or set lift & drive Hydraman. These are not shown in the images.



**PART NR.**  
**Connector Hydramatic S3 802-06001**

◆ : SET CONNECT



**Hydraman  
+ set connect Hydraman**



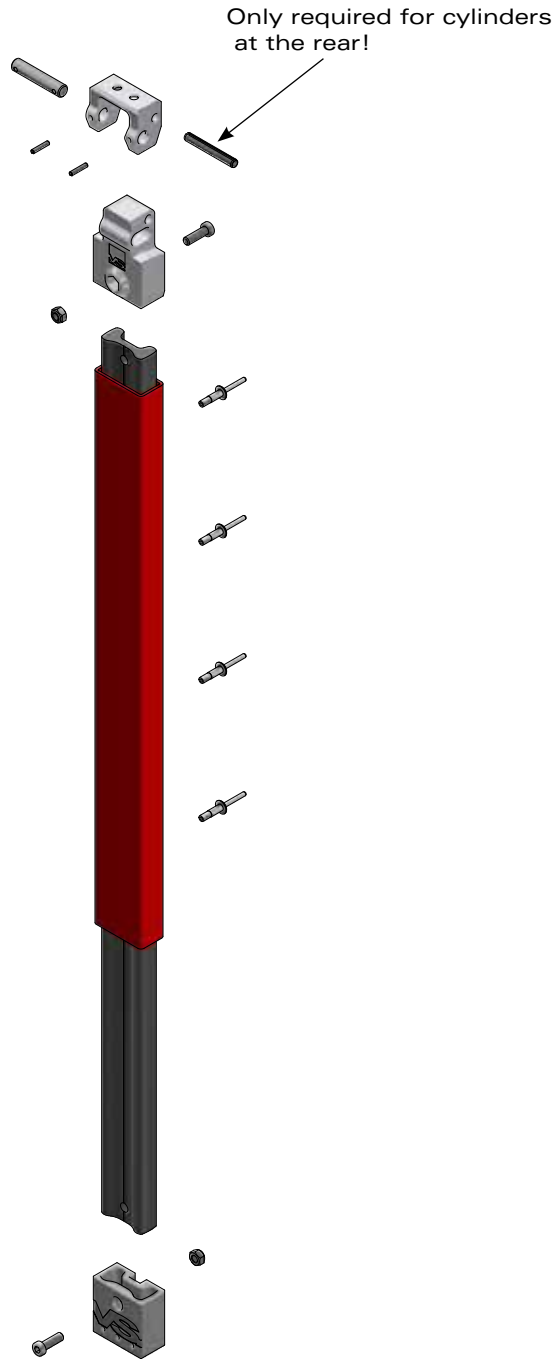
**Hydratwin  
+ set connect Hydratwin**



**Hydrumatic cylinder 500SE  
+ set connect Hydraman**



**Hydrumatic cylinder 500DE  
+ set connect Hydraman**

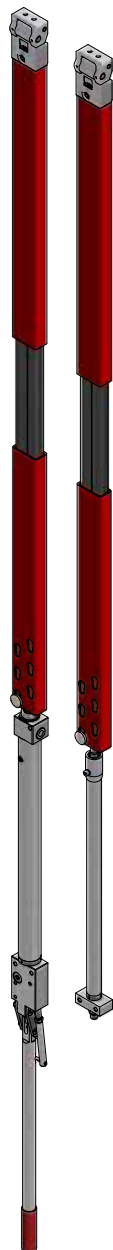


\* The mounting parts for Hydraman (pump), Hydratwin (pump + cylinder) and Hydramatic (cylinders SE + DE) are not visible in the pictures.

# ◆ : SET LIFT & DRIVE



**Hydraman**  
+ set lift & drive Hydraman



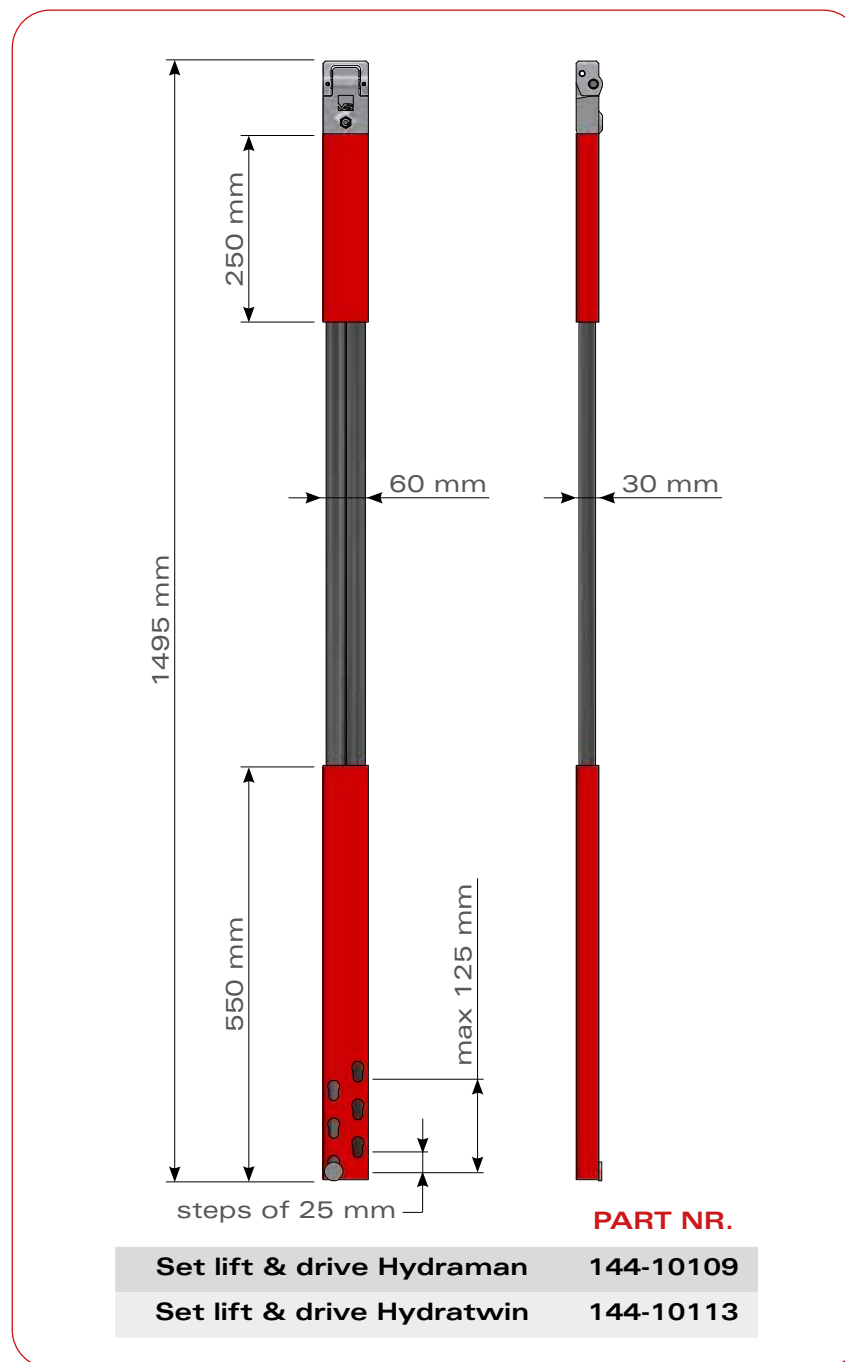
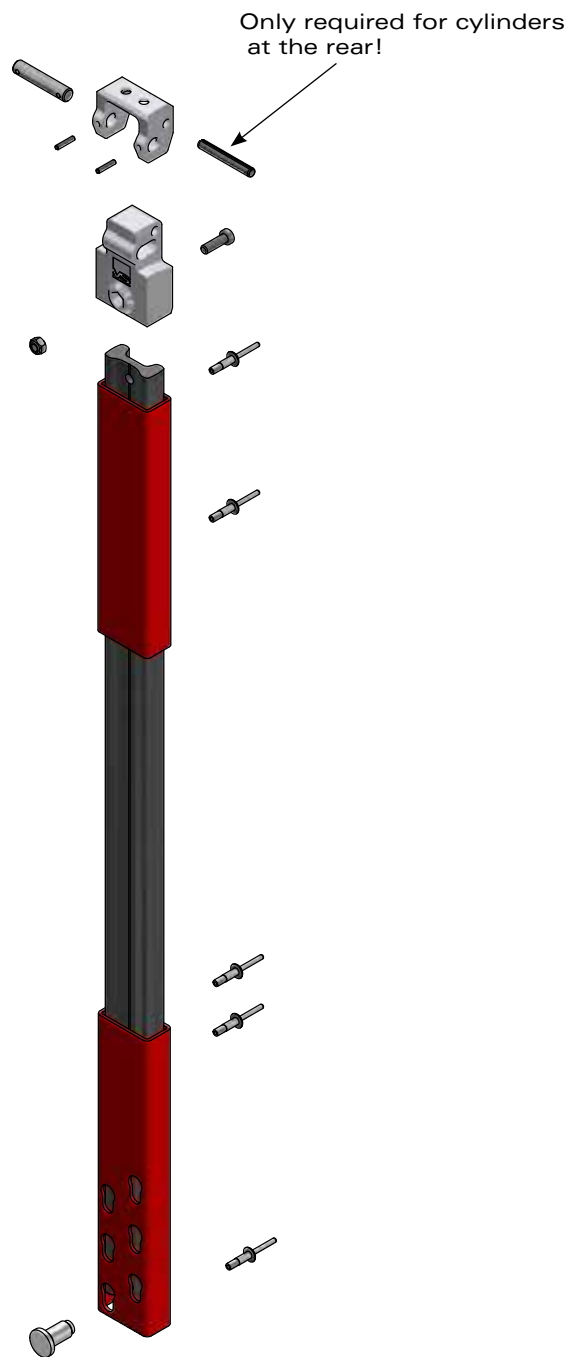
**Hydratwin**  
+ set lift & drive Hydratwin



**Hydramatic cylinder 500SE**  
+ set lift & drive Hydraman



**Hydramatic cylinder 500DE**  
+ set lift & drive Hydraman



\* The mounting parts for Hydraman (pump), Hydratwin (pump + cylinder) and Hydramatic (cylinders SE + DE) are not visible in the pictures.

VS



**Versus-Omega**

Nijverheidslaan 1527a  
B-3660 Oudsbergen  
Belgium

t. +32 89 320 190  
f. +32 89 320 199  
e. [info@versus-omega.com](mailto:info@versus-omega.com)  
w. [www.versus-omega.com](http://www.versus-omega.com)

