



DRIVERS KNOW WHY



side curtain system by versus





Content ■ Inhalt

- P02 TRIKE SYSTEM ■ TRIKE SYSTEM
- P04 TRIKE SIDE CURTAIN ROLLER
TRIKE SEITLICHER SCHIEBEPLANENROLLER
- P06 TRIKE TRACKS ■ TRIKE SCHIENEN
- P08 KUBUS TRIKE ■ KUBUS TRIKE
- P16 DUO TRIKE ■ DUO TRIKE
- P24 ALTO TRIKE ■ ALTO TRIKE
- P32 OPTIONS ■ OPTIONEN
- P36 SPARE PARTS ■ ERSATZTEILE
- P42 TRIKE ROOF CONSTRUCTION
TRIKE VERDECK-KONSTRUKTION



The Trike system

- P04 TRIKE SIDE CURTAIN ROLLER
TRIKE SEITLICHER SCHIEBEPLANENROLLER
- P06 TRIKE TRACKS ■ TRIKE SCHIENEN

Trike side curtain rollers



Trike eases your job every day: The Trike side curtain rollers have an extra horizontal steel roller on top. Therefore the side curtains will *slide* open easily, so they don't need to be *dragged*.

Trike erleichtert Ihre Arbeit jeden Tag: Die seitlichen Trike Schiebepflanenrollen haben an der Spitze eine zusätzliche horizontale Stahlrollenführung, welche ein leichtes Aufziehen der seitlichen Planen ermöglicht.

Trike seitlicher Schiebepflanenrollen



Whichever movement the side curtains will make while opening or closing, the extra horizontal roller will constantly roll against the inside or outside of the track.

This keeps the vertical rollers upright and keeps them free from any lateral forces or friction.

Welche Bewegung die seitlichen Planen beim Öffnen oder Schließen auch machen, die zusätzliche horizontale Walze rollt gegen die Innen- oder Außenseite der Schiene. Hierdurch werden die vertikalen Rollen stets aufrecht gehalten, sodass sie keine seitlichen Kräfte oder Reibungen auffangen müssen.



With tensioned side curtains, the horizontal steel roller will be pulled against the outside of the rail, so that the pvc rollers remain tension-free. Without this third steel roller, the pvc rollers would be pulled against the rail, making them bend, wear out or even break.

Bei angespannten seitlichen Planen wird die horizontale Rolle gegen die Außenseite der Schiene gezogen, sodass die Kunststoffrollen spannungsfrei bleiben. Ohne diese dritte Stahlrolle würden die Kunststoffrollen gegen die Schiene gezogen werden, sich verbiegen, verschleßen oder sogar brechen.



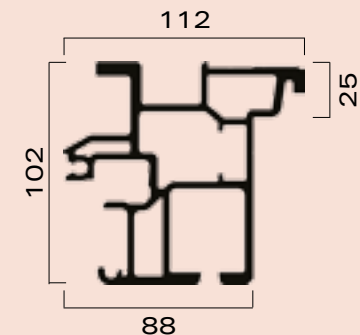
For each type of vehicle and for each length we offer you the appropriate TRIKE rail.

Trike, drivers know why.

Für jeden Fahrzeugtyp und für jede Länge bieten wir Ihnen die passende TRIKE Schiene an.

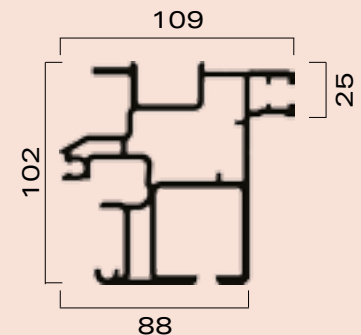
Trike, Fahrer wissen warum.

kubus **Trike**



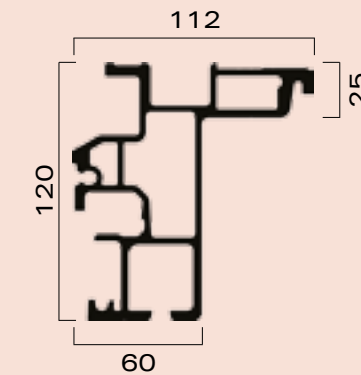
Ix: 232,8 cm⁴
Iy: 173,8 cm⁴
± 5,7 Kg/m
> 8500mm

kubus **Trike** light



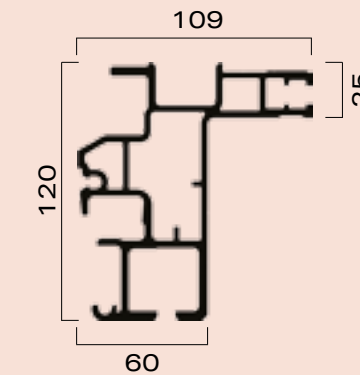
Ix: 188,5 cm⁴
Iy: 145 cm⁴
± 4,8 Kg/m
≤ 8500mm

duo **Trike** 120



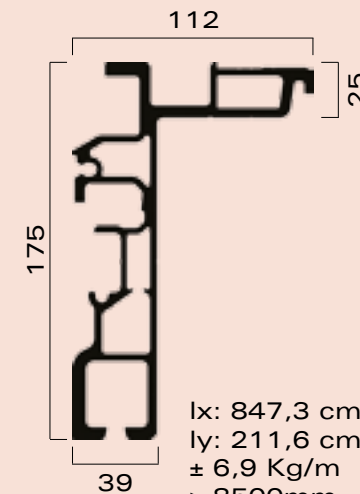
Ix: 316,6 cm⁴
Iy: 183,4 cm⁴
± 5,7 Kg/m
> 8500mm

duo **Trike** light



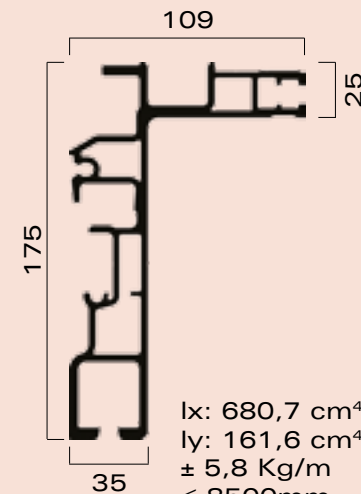
Ix: 262,4 cm⁴
Iy: 139,2 cm⁴
± 4,9 Kg/m
≤ 8500mm

alto **Trike** 175



Ix: 847,3 cm⁴
Iy: 211,6 cm⁴
± 6,9 Kg/m
> 8500mm

alto **Trike** light

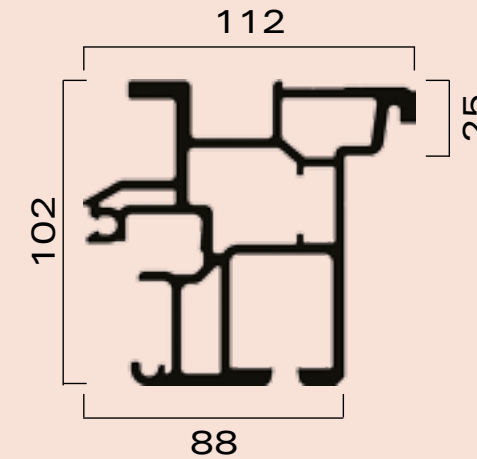
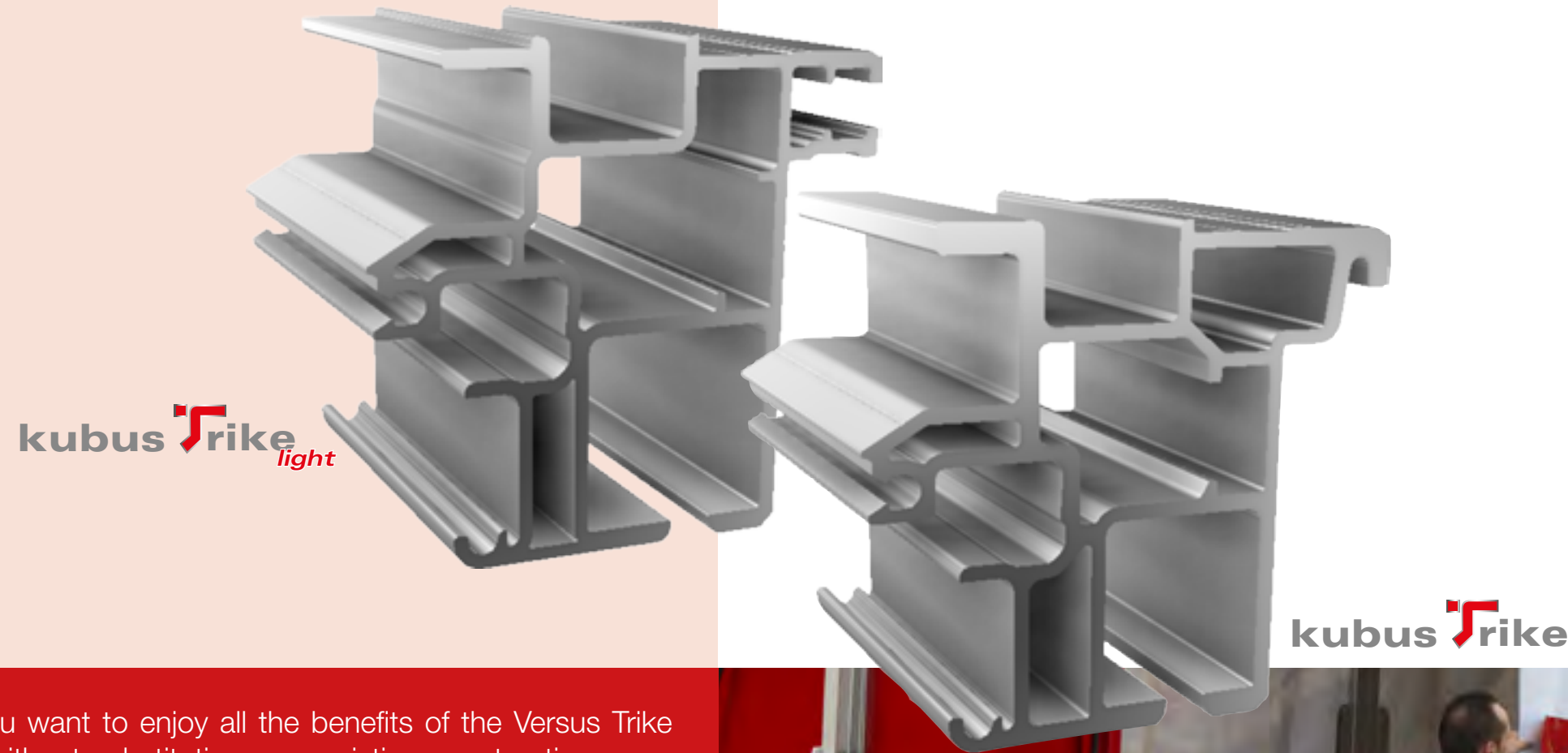


Ix: 680,7 cm⁴
Iy: 161,6 cm⁴
± 5,8 Kg/m
≤ 8500mm



kubus **Trike** & kubus **Trike**
light

- P10 TRACKS ■ SCHIENEN
- P12 SLIDING ROOFS ■ SCHIEBEVERDECKE
- P14 FIXED ROOFS ■ FEST VERDECKE

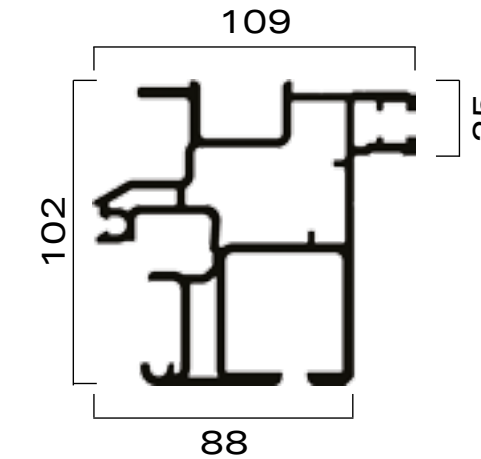


kubus trike

Ix: 232,8 cm⁴
 Iy: 173,8 cm⁴
 ± 5,7 Kg/m
 > 8500mm

162-24980 - 9,8m*
 162-24136 - 13,6m*

* pre-bended
 * vorgebogen



kubus trike light

Ix: 188,5 cm⁴
 Iy: 145 cm⁴
 ± 4,8 Kg/m
 ≤ 8500mm

162-25780 - 7,8m
 162-25850 - 8,5m

When you want to enjoy all the benefits of the Versus Trike system without substituting your existing construction completely, Kubus Trike offers you the ideal solution.

Wenn Sie von allen Vorteilen des Versus Trike Systems genießen möchten, ohne Ihren jetzigen Aufbau vollständig zu verändern, bietet Ihnen Kubus Trike die ideale Lösung.

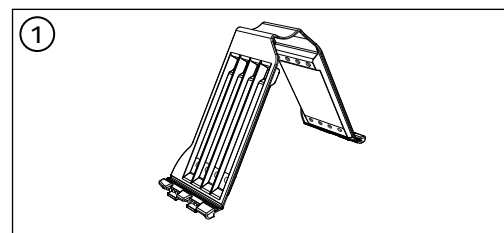
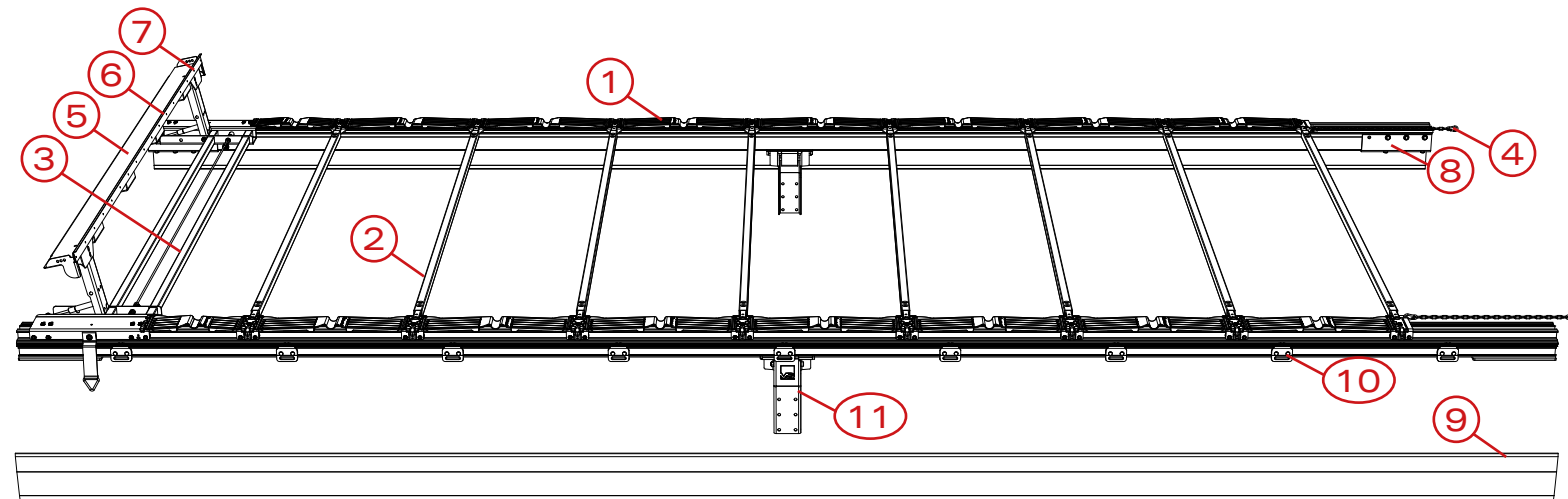


kubus Trike ■ Sliding roof

All codes for SW 2550mm

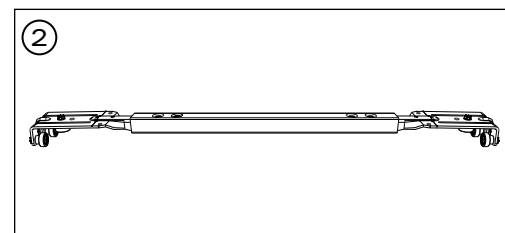


Omega sliding roof
Omega Schiebeverdeck

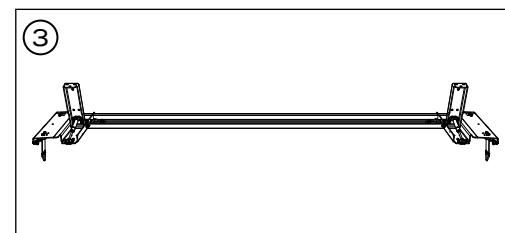


Omega folding plate

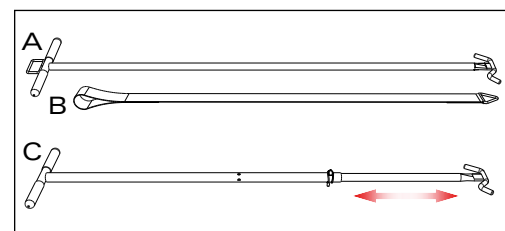
- 242-01004:** length 400mm
- 242-01005:** length 500mm
- 242-01057:** length 570mm
- 242-01006:** length 600mm
- 242-01065:** length 650mm
- 242-01007:** length 700mm



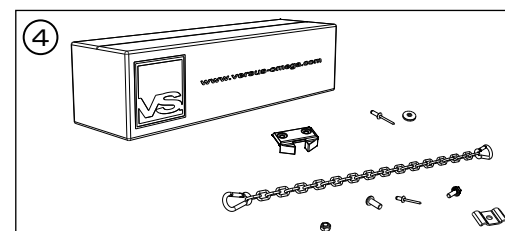
224-01001
Standard roof stick SP



214-47201
Collapsible backside L52



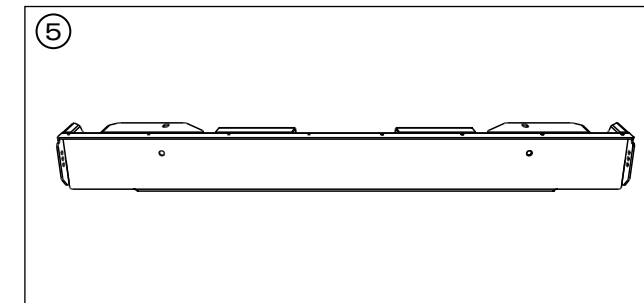
A: **144-01003:** Standard pullbar
B: **144-01500:** Webbing pullbar
C: **144-01006:** Telescopic pullbar



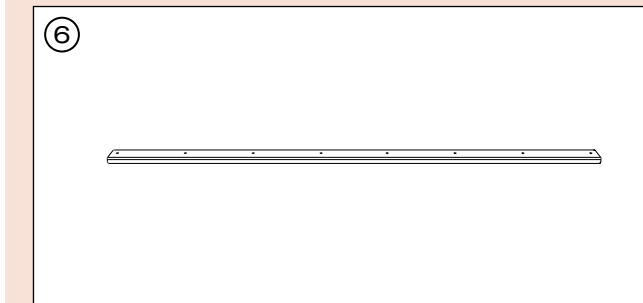
144-10067
Set accessories

kubus Trike ■ Schiebeverdeck

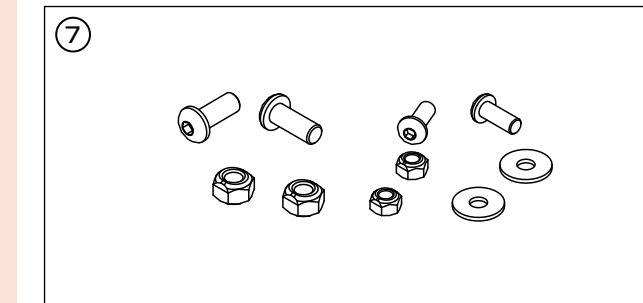
Alle Codes für SB 2550mm



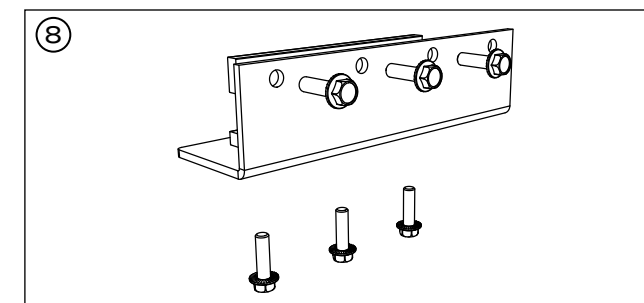
193-11001
Back beam - 125Z



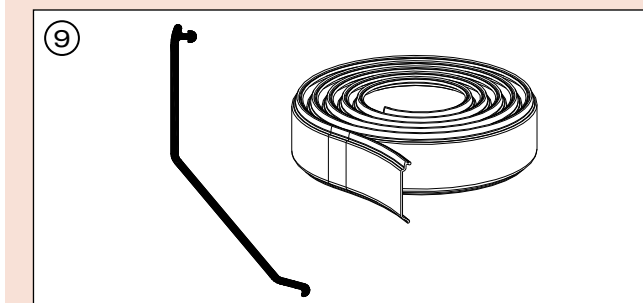
192-01601
Rainstrips for back beam



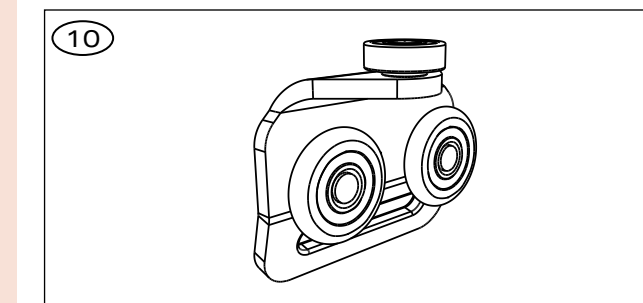
144-10022
Bolts for back beam



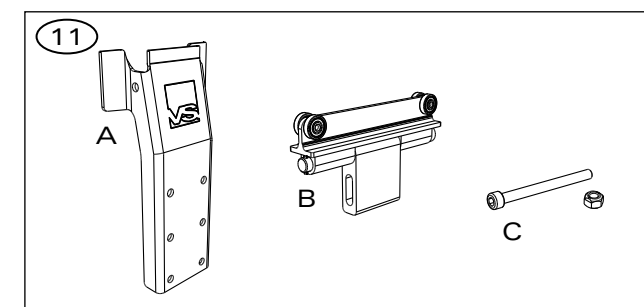
154-03018
Mounting set



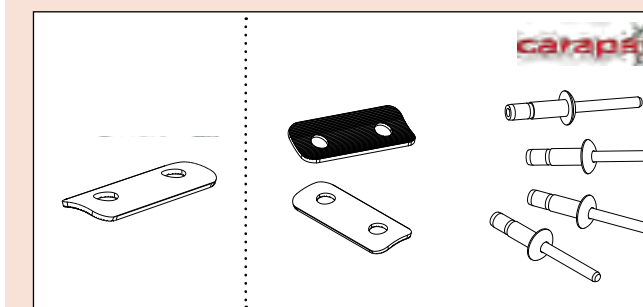
242-12109: PVC pelmet, black, 9m
242-12114: PVC pelmet, black, 14m
242-12128: PVC pelmet, black, 28m



284-10024
Trike side curtain roller



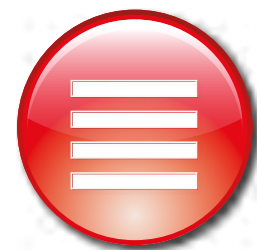
A: **262-05007:** Support plate, bended
B: **264-01001:** Pillar bracket
C: **144-10015:** Set



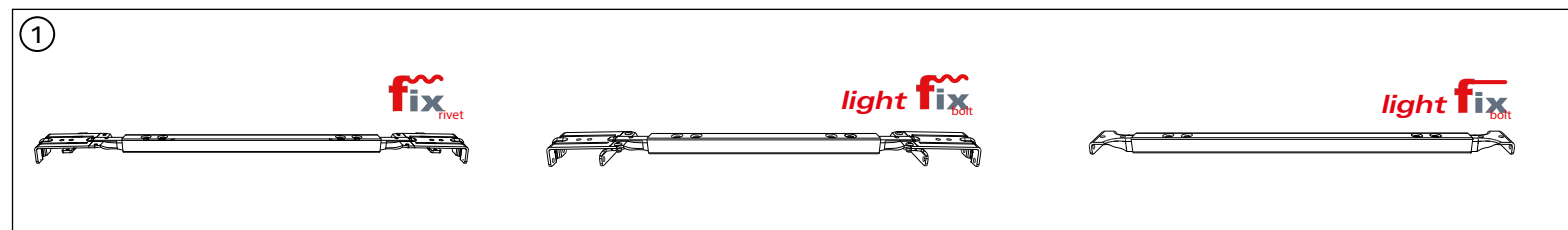
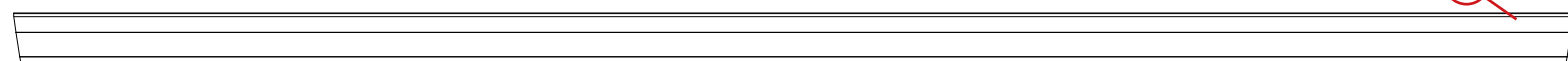
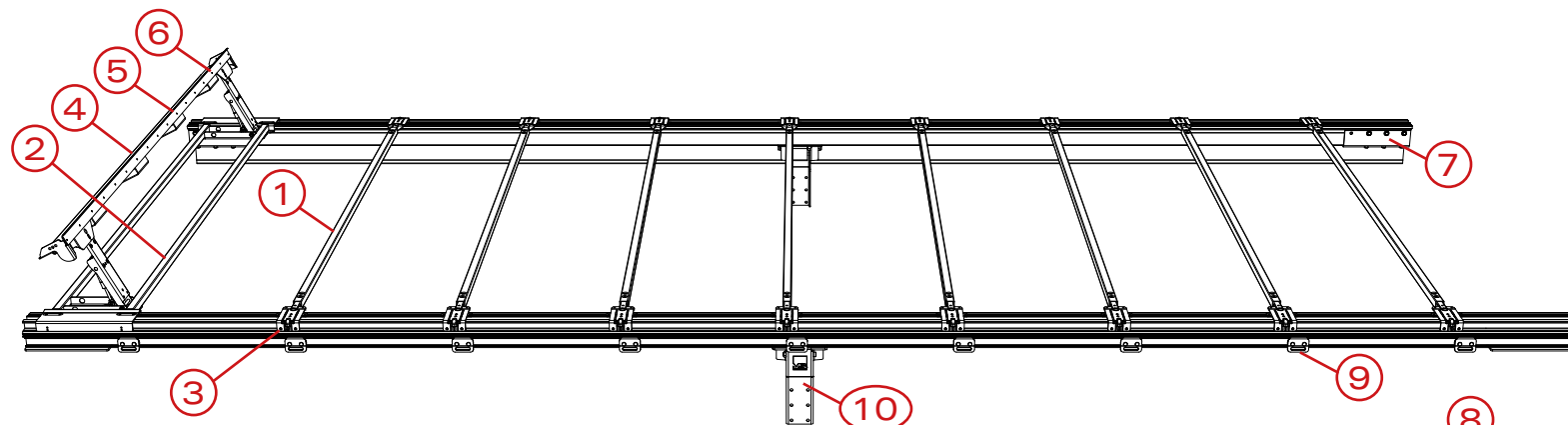
291-03004: Carapax plate
144-10091: Carapax set / roof stick

kubus Trike ■ Fixed roof

All codes for SW 2550mm



Versus fixed roof
Versus Festdach



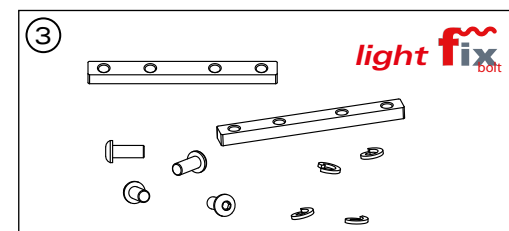
224-41201
Roof stick SP - canopy cover
Only for Kubus Trike

224-41211
Roof stick SP - canopy cover
Only for Kubus Trike Light

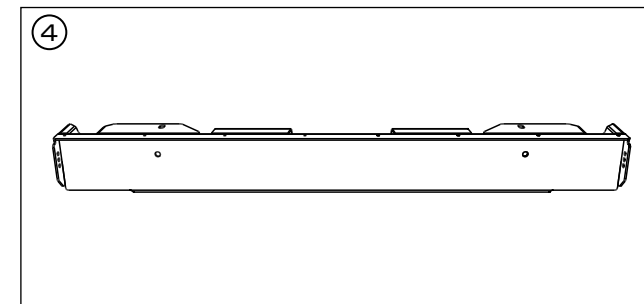
224-41101
Roof stick SP polyester/alu cover
Only for Kubus Trike Light



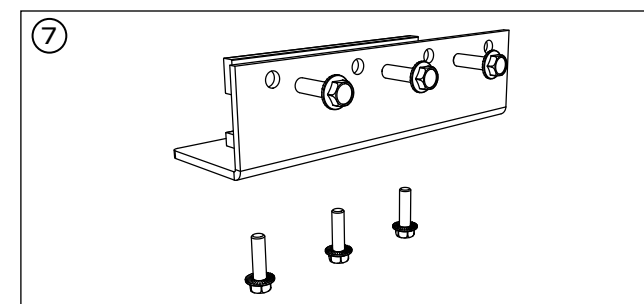
IN DEVELOPMENT:
Collapsible backside
Trike and Trike Light: Only for
canopy cover



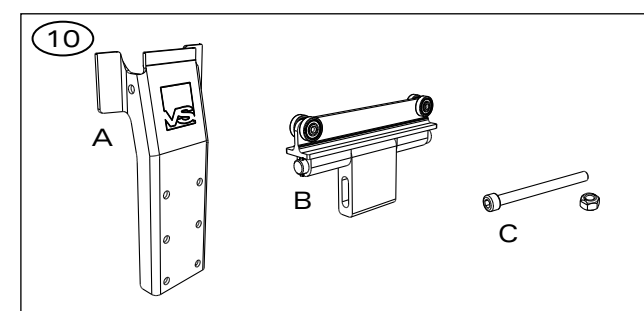
144-10048
Mounting set roof stick
Only for Kubus Trike Light



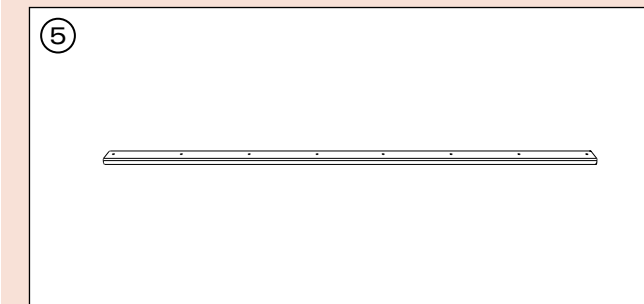
193-11001
Back beam - 125Z



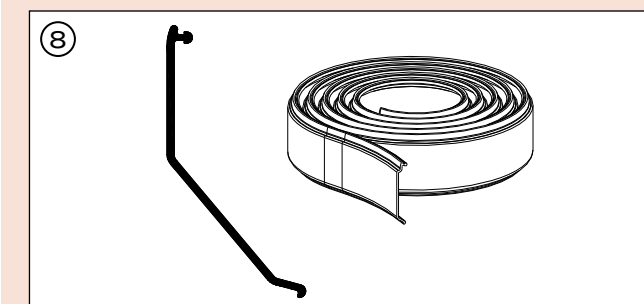
154-03018
Mounting set



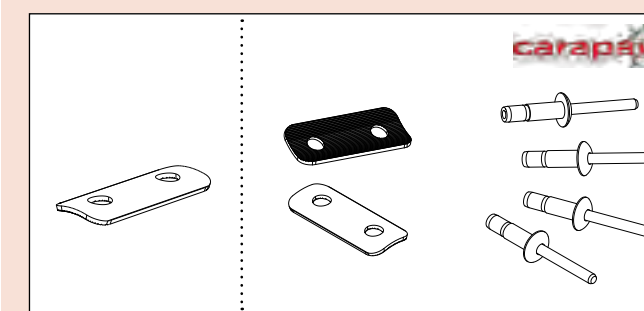
A: **262-05007**: Support plate, bended
B: **264-01001**: Pillar bracket
C: **144-10015**: Set



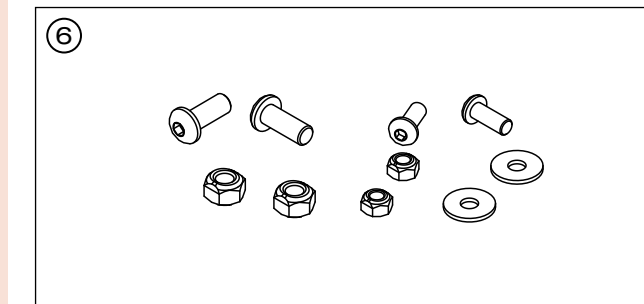
192-01601
Rainstrips for back beam



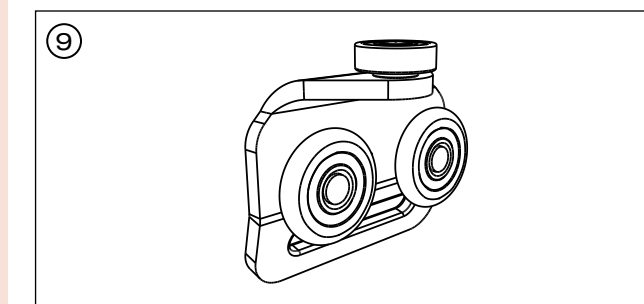
242-12109: PVC pelmet, black, 9m
242-12114: PVC pelmet, black, 14m
242-12128: PVC pelmet, black, 28m



291-03004: Carapax plate
144-10091: Carapax set / roof stick



144-10022
Bolts for back beam

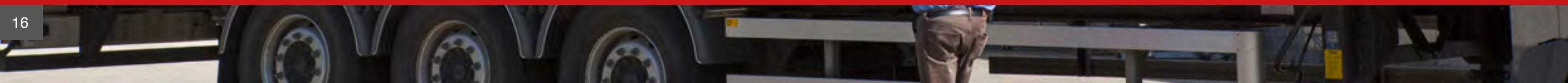


284-10024
Trike side curtain roller

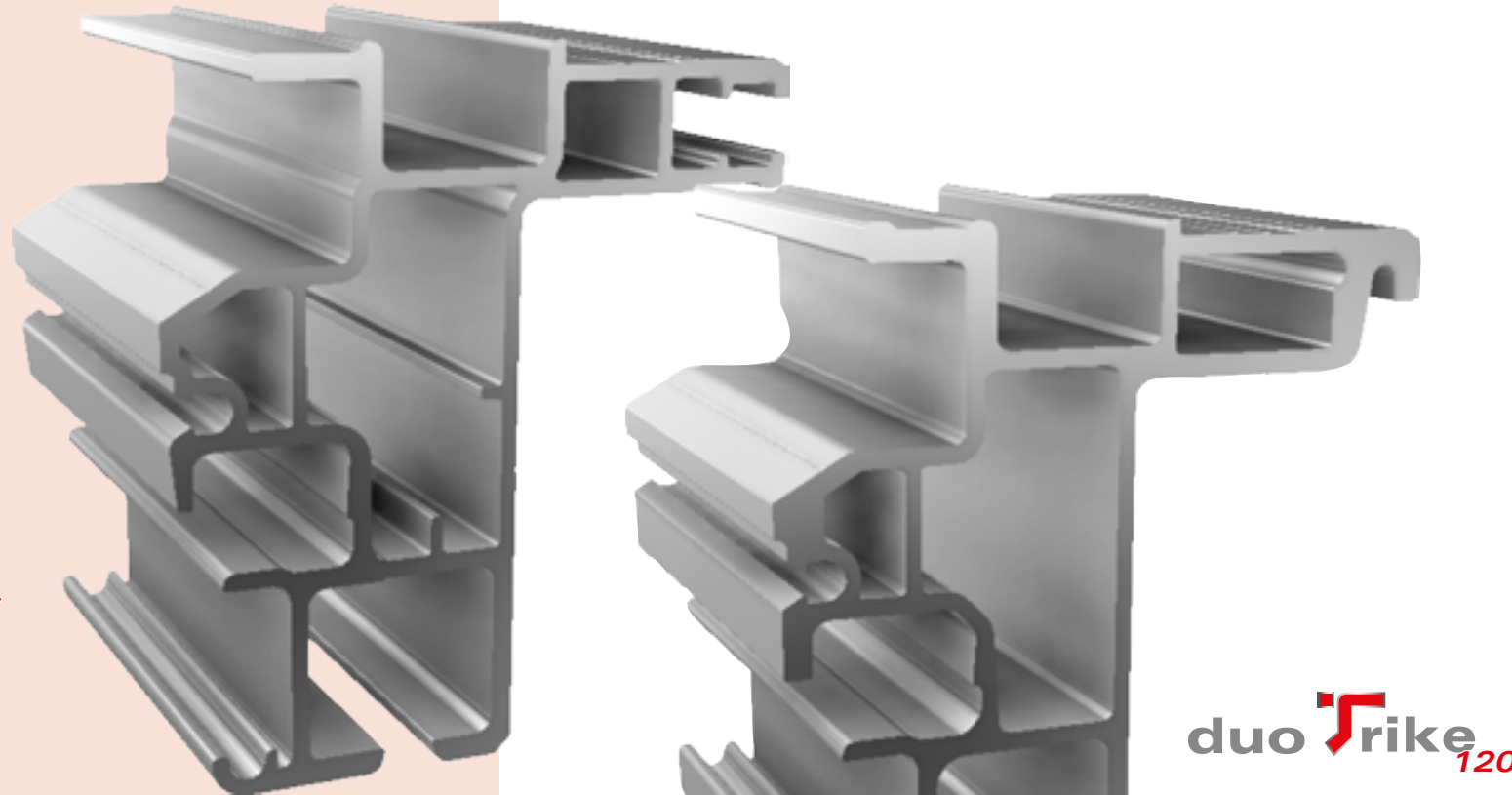


duo trike ¹²⁰ & duo trike *light*

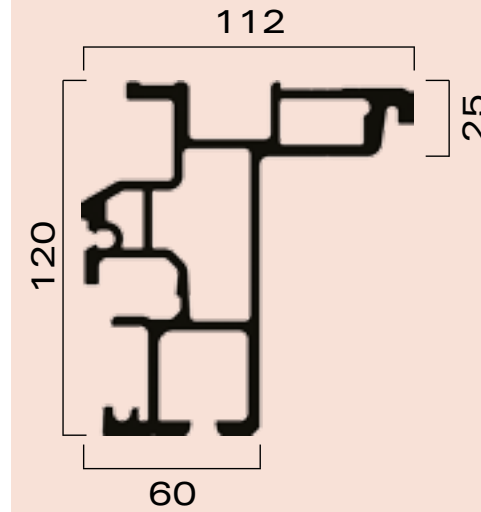
- P18 TRACKS ■ SCHIENEN
- P20 SLIDING ROOFS ■ SCHIEBEVERDECKE
- P22 FIXED ROOFS ■ FEST VERDECKE



duo **Trike**
light



duo **Trike**
120

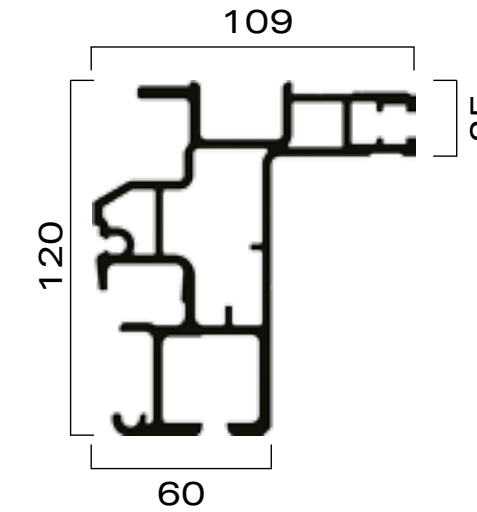


duo **Trike**
120

Ix: 316,6 cm⁴
Iy: 183,4 cm⁴
± 5,7 Kg/m
> 8500mm

162-17102 - 10,2m*
162-17136 - 13,6m*

* pre-bended
* vorgebogen



duo **Trike**
light

Ix: 262,4 cm⁴
Iy: 139,2 cm⁴
± 4,9 Kg/m
≤ 8500mm

162-23780 - 7,8m
162-23850 - 8,5m

Provide your new trailers with the latest new developments in the field of sliding roofs and choose for the optimized volume Duo Trike track.

Rüsten Sie Ihren neuen Anhänger aus mit der neuesten Entwicklung auf dem Gebiet von Schiebeerdecken und entscheiden Sie sich für die im Volumen optimierte Duo Trike Schiene.

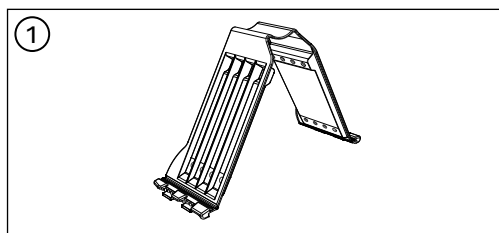
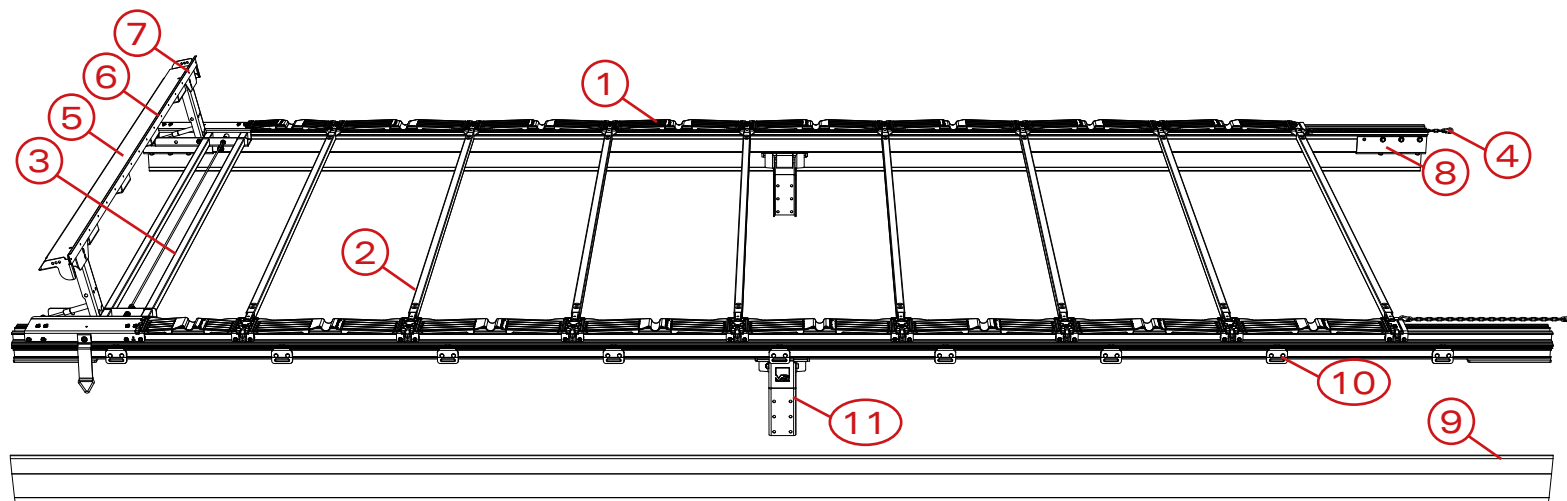


duo Trike ■ Sliding roof

All codes for SW 2550mm

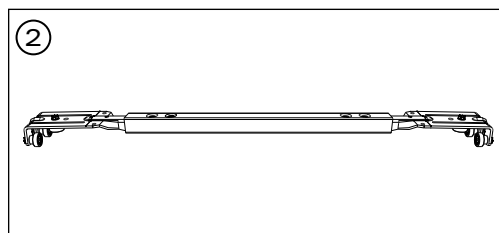


Omega sliding roof
Omega Schiebeverdeck

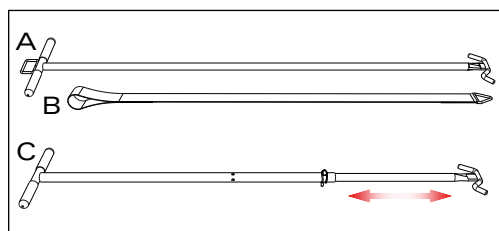


Omega folding plate

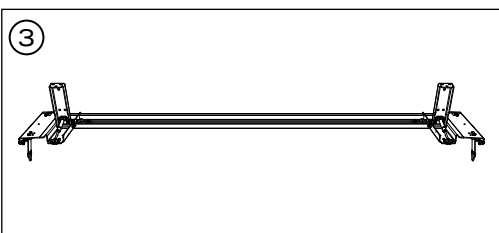
242-01004: length 400mm
242-01005: length 500mm
242-01057: length 570mm
242-01006: length 600mm
242-01065: length 650mm
242-01007: length 700mm



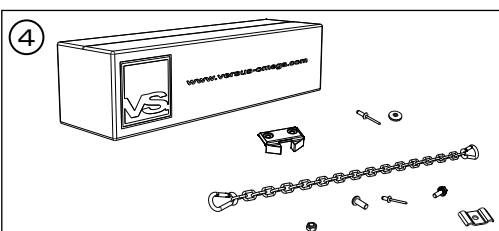
224-01001
Standard roof stick SP



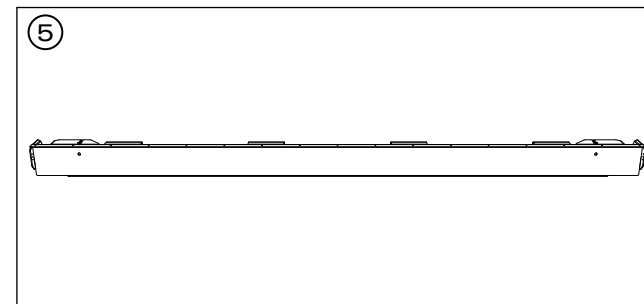
A: **144-01003:** Standard pullbar
B: **144-01500:** Webbing pullbar
C: **144-01006:** Telescopic pullbar



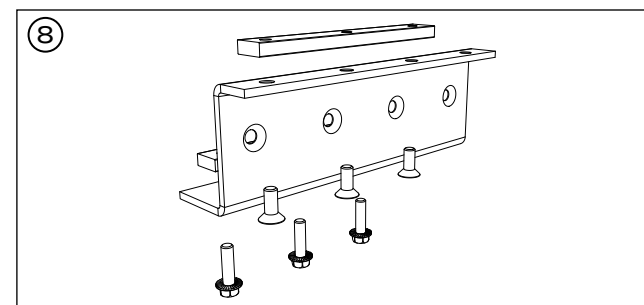
214-47201
Collapsible backside L:52



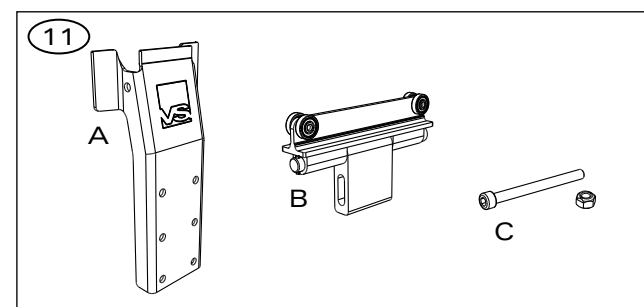
144-10067
Set accessories



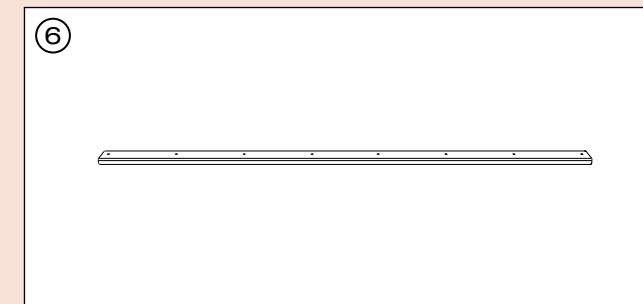
193-14001
Back beam - 145Z



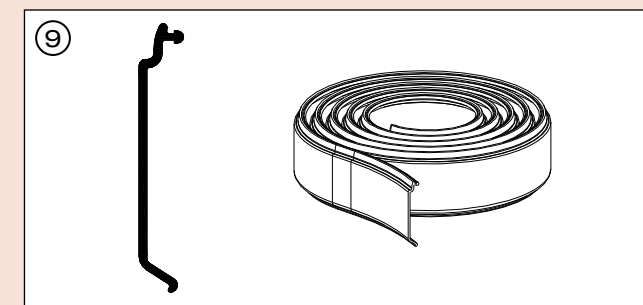
154-03013
Mounting set



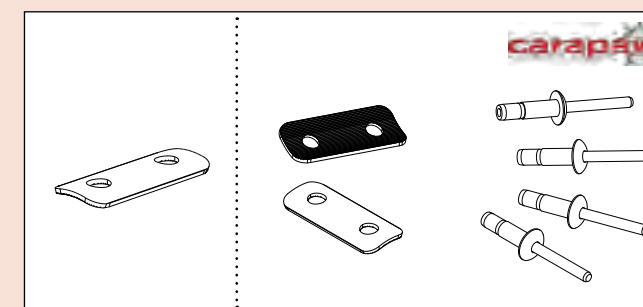
A: **262-05007:** Support plate, bended
B: **264-01001:** Pillar bracket
C: **144-10015:** Set



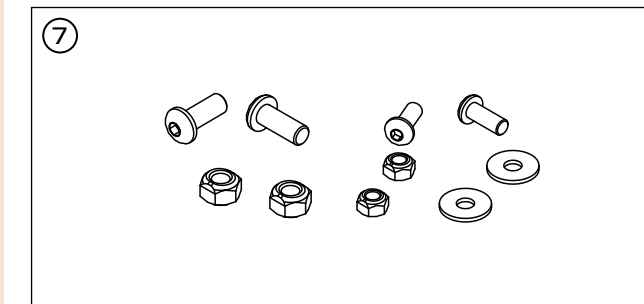
192-01601
Rainstrips for back beam



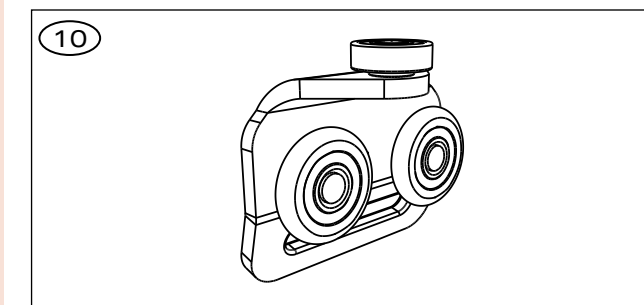
242-14109: PVC pelmet, black, 9m
242-14114: PVC pelmet, black, 14m
242-14128: PVC pelmet, black, 28m



291-03004: Carapax plate
144-10091: Carapax set / roof stick



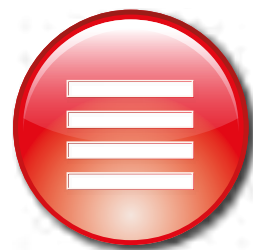
144-10022
Bolts for back beam



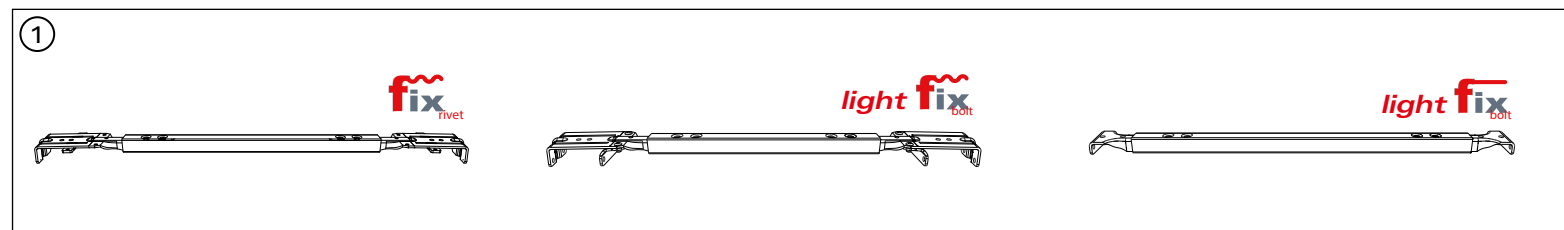
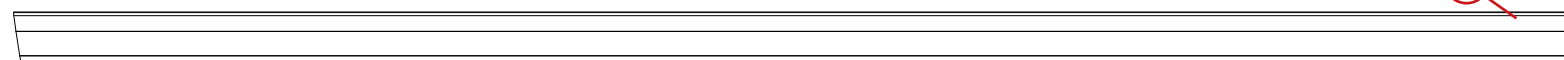
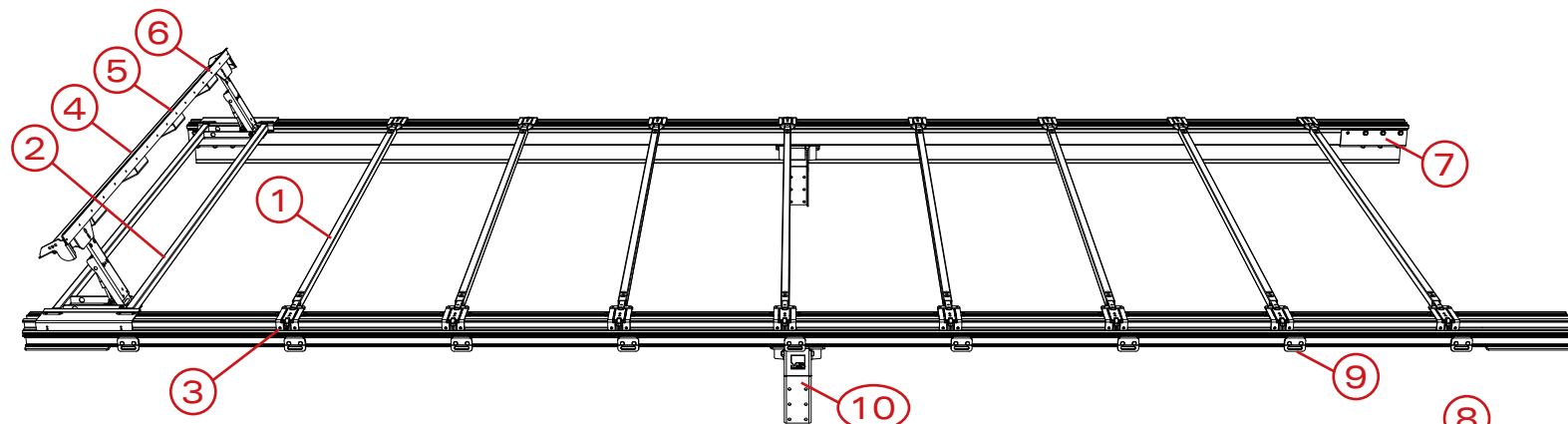
284-10024
Trike side curtain roller

duo Trike ■ Fixed roof

All codes for SW 2550mm



Versus fixed roof
Versus Festdach



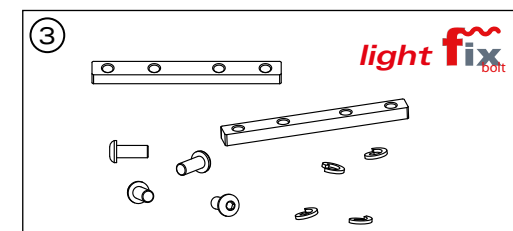
224-41201
Roof stick SP - canopy cover
Only for Duo Trike

224-41211
Roof stick SP - canopy cover
Only for Duo Trike Light

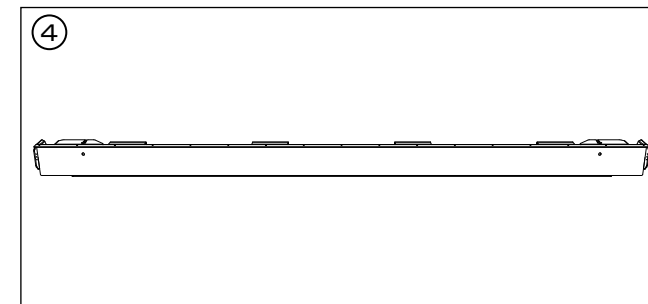
224-41101
Roof stick SP polyester/alu cover
Only for Duo Trike Light



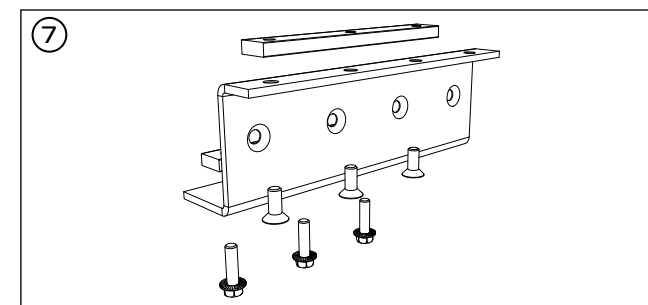
IN DEVELOPMENT:
Collapsible backside
Trike and Trike Light: Only for
canopy cover



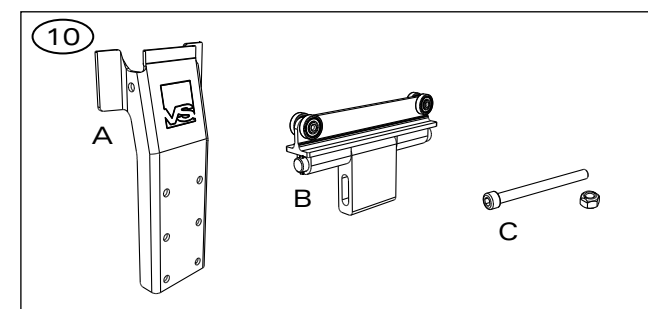
144-10048
Mounting set roof stick
Only for Duo Trike Light



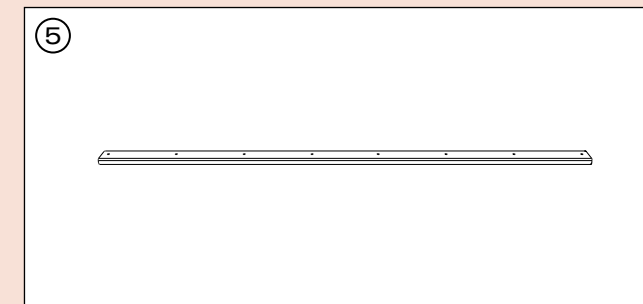
193-14001
Back beam - 145Z



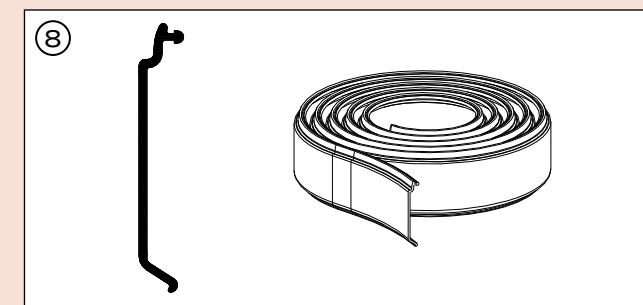
154-03013
Mounting set



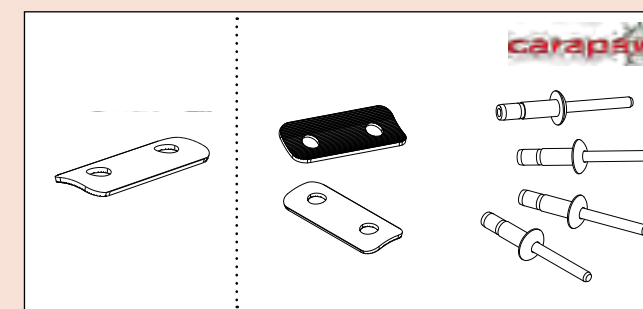
A: **262-05007**: plate with angle
B: **264-01001**: bracket
C: **144-10015**: set



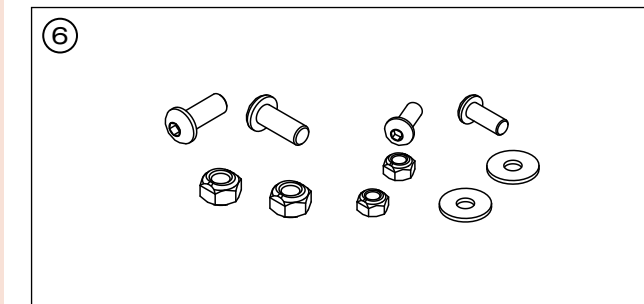
192-01601
Rainstrips for back beam



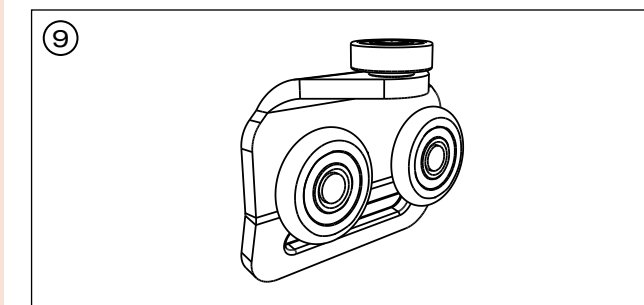
242-14109: PVC pelmet, black, 9m
242-14114: PVC pelmet, black, 14m
242-14128: PVC pelmet, black, 28m



291-03004: Carapax plate
144-10091: Carapax set / roof stick



144-10022
Bolts for back beam



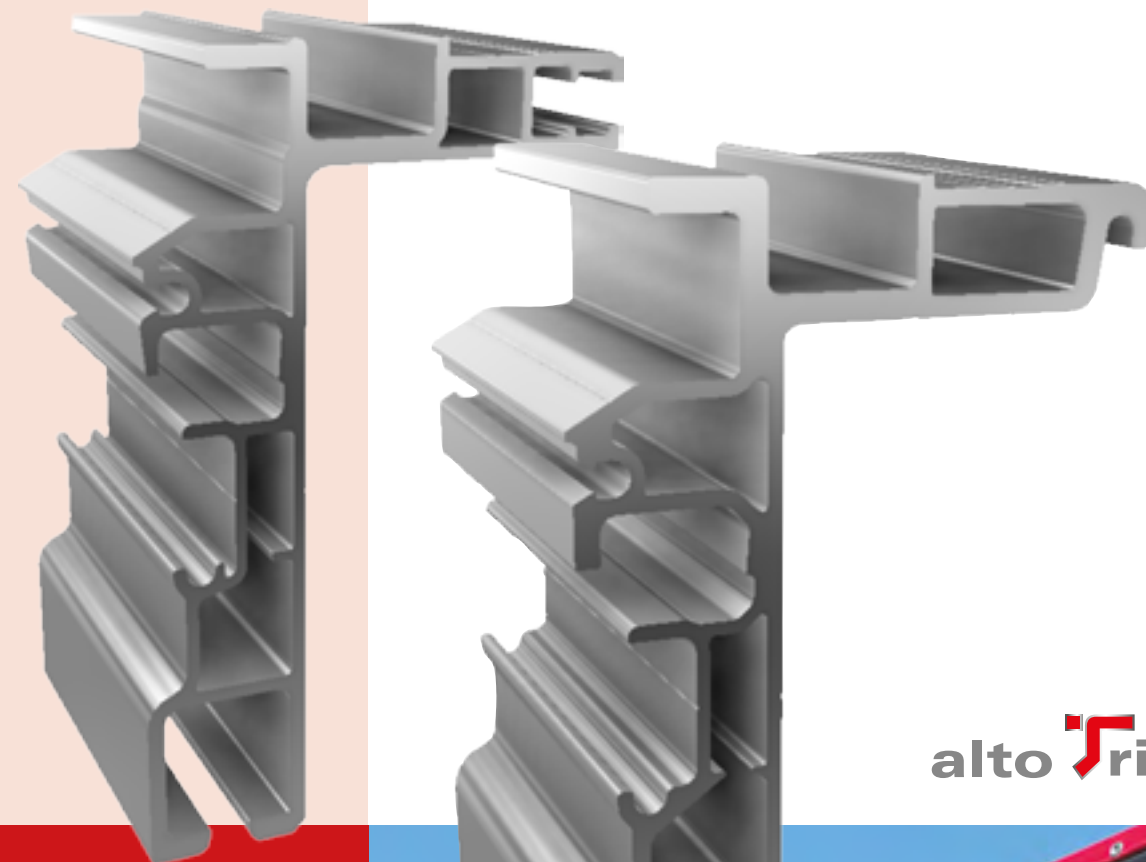
284-10024
Trike side curtain roller



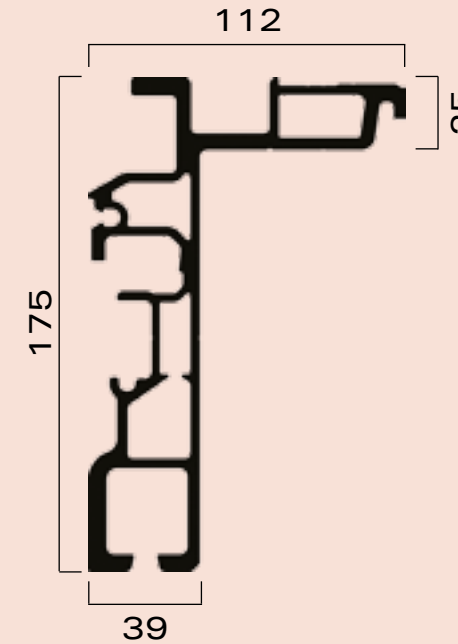
alto **Trike**₁₇₅ & alto **Trike**_{light}

P26 TRACKS ■ SCHIENEN
P28 SLIDING ROOFS ■ SCHIEBEVERDECKE
P30 FIXED ROOFS ■ FESTDÄCHER

alto **Trike**
light



alto **Trike**
175



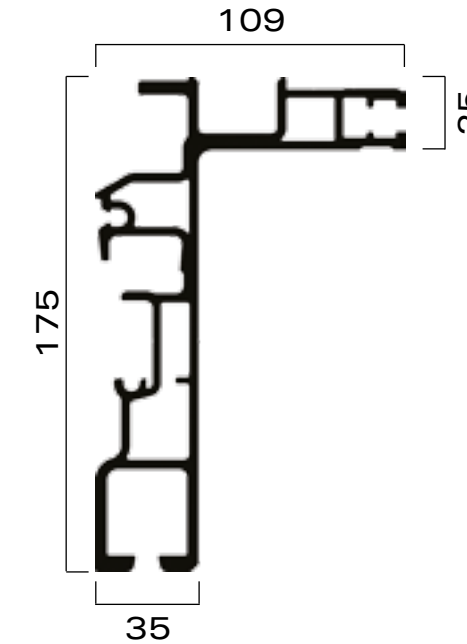
alto **Trike**
175

Ix: 847,3 cm⁴
Iy: 211,6 cm⁴
± 6,9 Kg/m
> 8500mm

162-16102 - 10,2m*
162-16136 - 13,6m*

* pre-bended
* vorgebogen

alto **Trike**
light



Ix: 680,7 cm⁴
Iy: 161,6 cm⁴
± 5,8 Kg/m
≤ 8500mm

162-22780 - 7,8m
162-22850 - 8,5m

For lifting systems we can offer the taller Alto Trike track. Just like the Duo Trike, the Alto Trike is also optimized in volume. Both Alto and Alto Trike Light are available in TIR format.

Für Hubsysteme bieten wir die hohen Alto Trike Schienen. Ebenso wie der Duo Trike ist auch der Alto Trike V o l u m e optimiert. Alto Trike und Alto Trike light sind mit der Option TIR erhältlich.

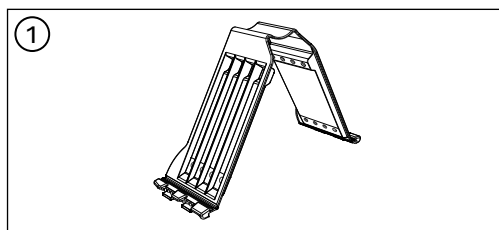
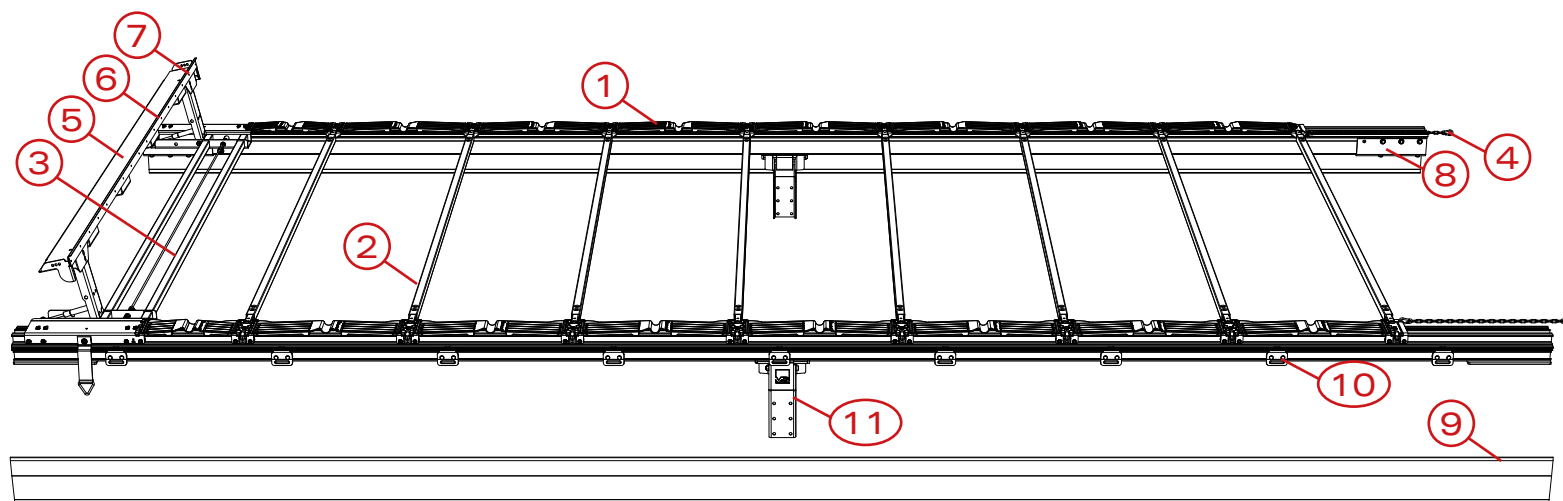


alto Trike ■ Sliding roof

All codes for SW 2550mm

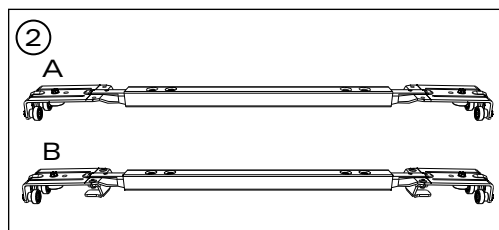


Omega sliding roof
Omega Schiebeverdeck

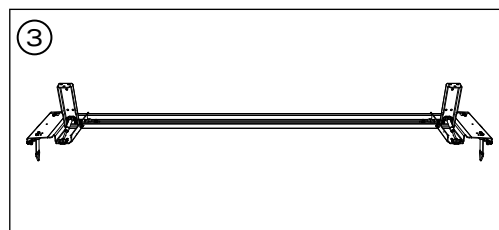


Omega folding plate

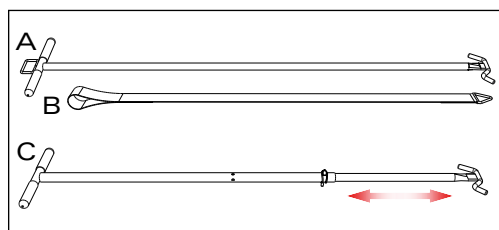
- 242-01004:** length 400mm
- 242-01005:** length 500mm
- 242-01057:** length 570mm
- 242-01006:** length 600mm
- 242-01065:** length 650mm
- 242-01007:** length 700mm



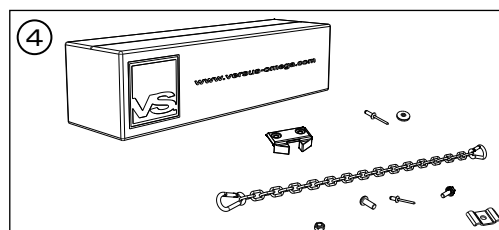
A: **224-01001** Standard roof stick
B: **224-91001** Roof stick Anti Fly



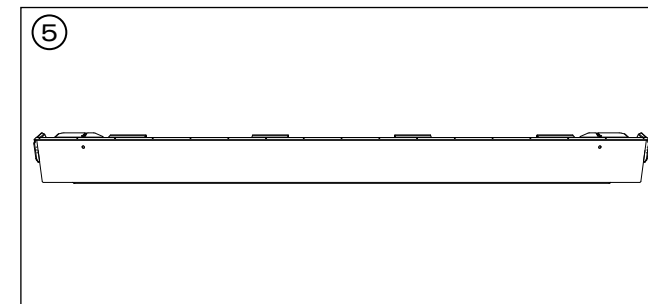
214-47201
Collapsible backside L:52



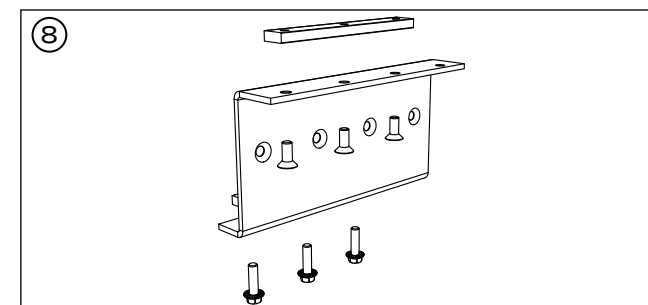
A: **144-01003:** Standard pullbar
B: **144-01500:** Webbing pullbar
C: **144-01006:** Telescopic pullbar



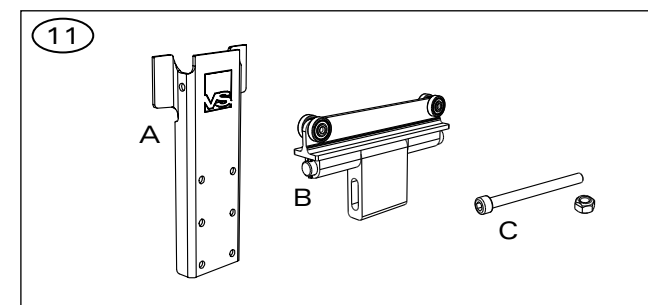
144-10067
Set accessories



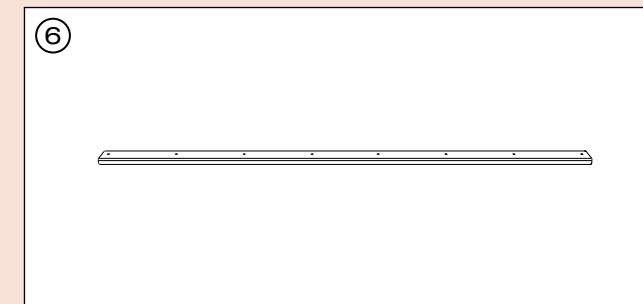
193-18001
Back beam - 208Z



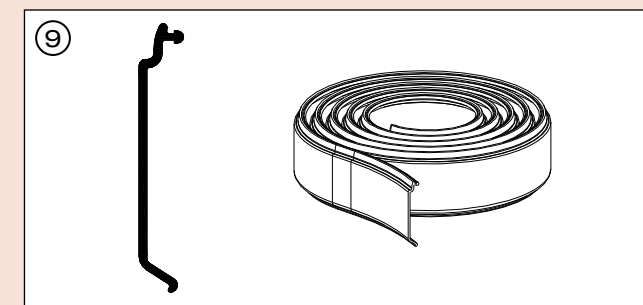
154-03012
Mounting set



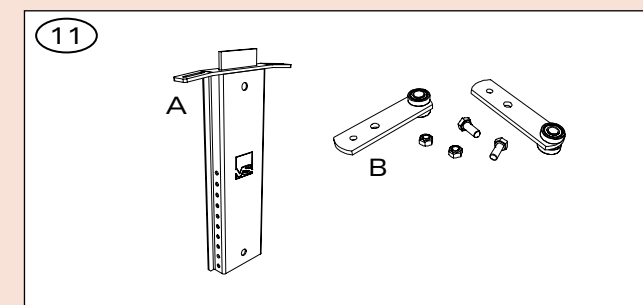
A: **262-05006:** plate straight
B: **264-01001:** bracket
C: **144-10015:** set



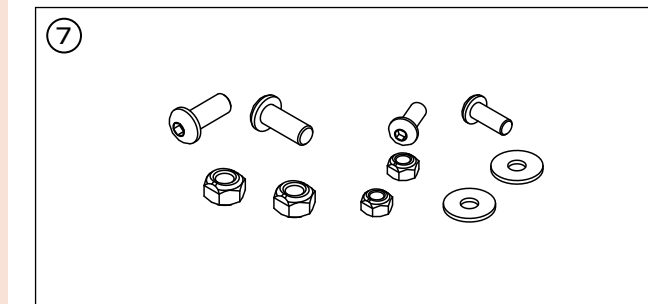
192-01601
Rain strip for back beam



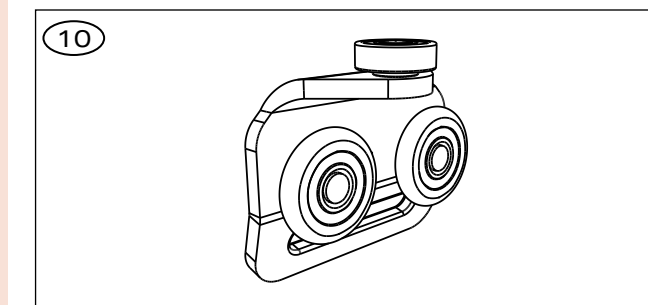
242-14109: PVC pelmet, black, 9m
242-14114: PVC pelmet, black, 14m
242-14128: PVC pelmet, black, 28m



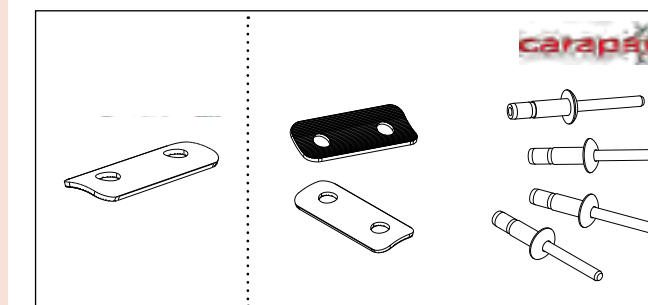
A: **263-02006:** bracket steel
B: **144-10010:** set rollers



144-10022
Bolts for back beam



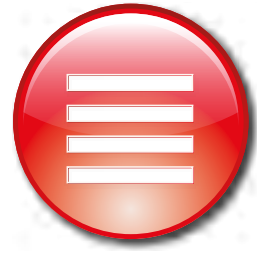
284-10024
Trike side curtain roller



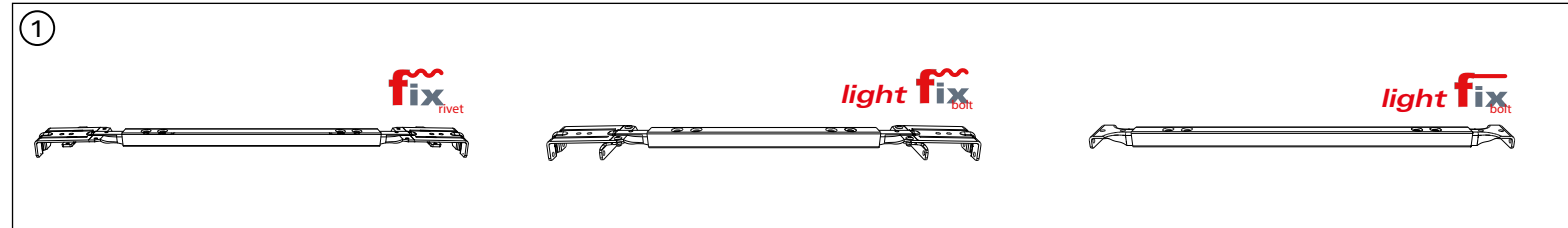
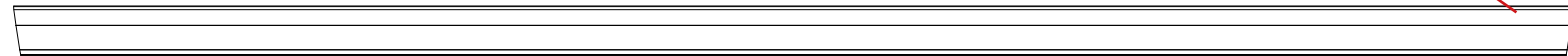
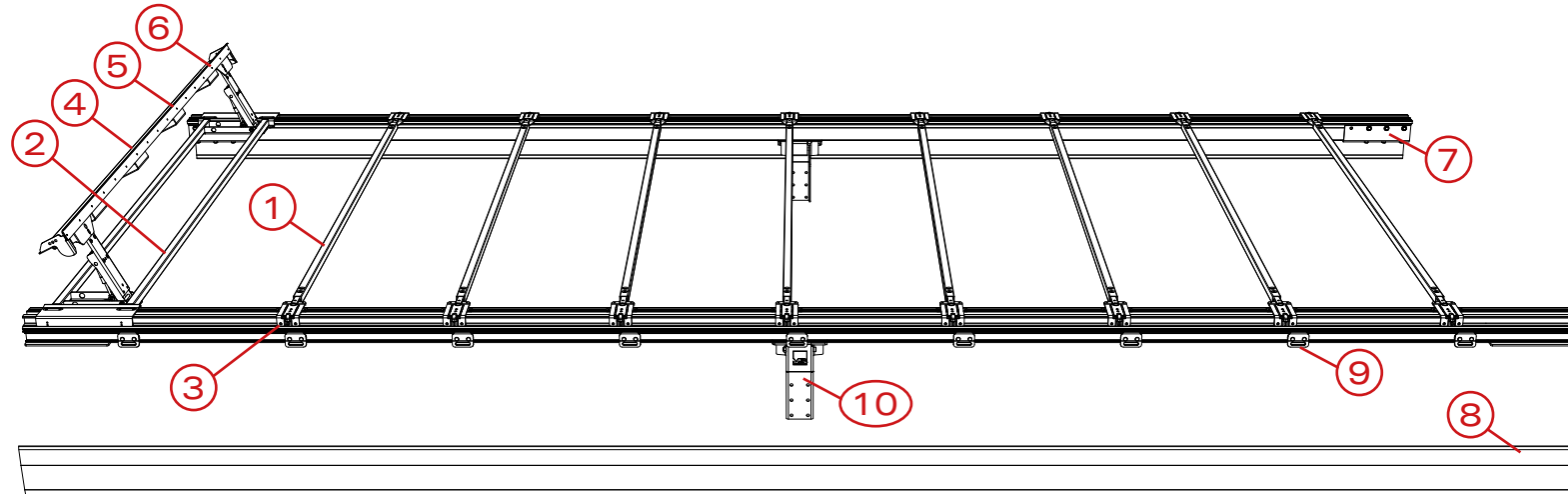
291-03004: Carapax plate
144-10091: Carapax set / roof stick

alto Trike ■ Fixed roof

All codes for SW 2550mm



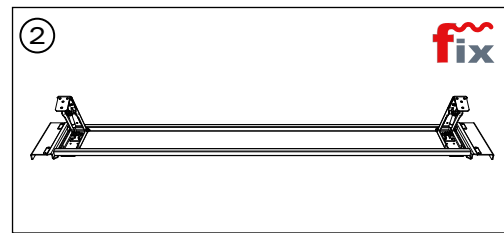
Versus fixed roof
Versus Festdach



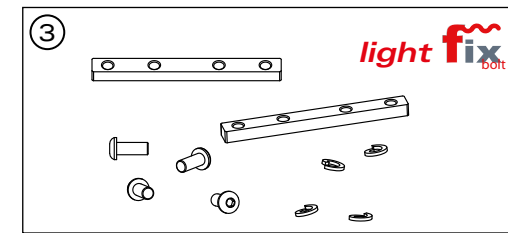
224-41201
Roof stick SP - canopy cover
Only for Alto Trike

224-41211
Roof stick SP - canopy cover
Only for Alto Trike Light

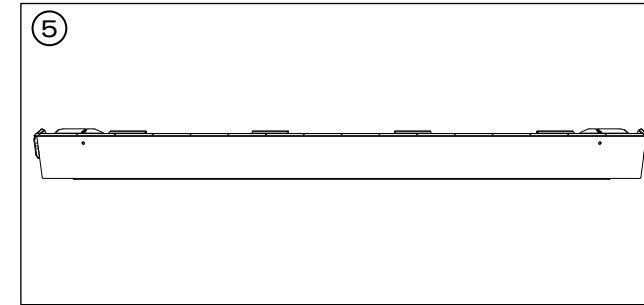
224-41101
Roof stick SP polyester/alu cover
Only for Alto Trike Light



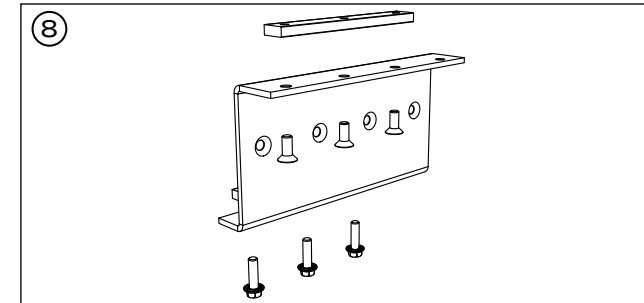
IN DEVELOPMENT:
Collapsible backside
Trike and Trike Light: Only for
canopy cover



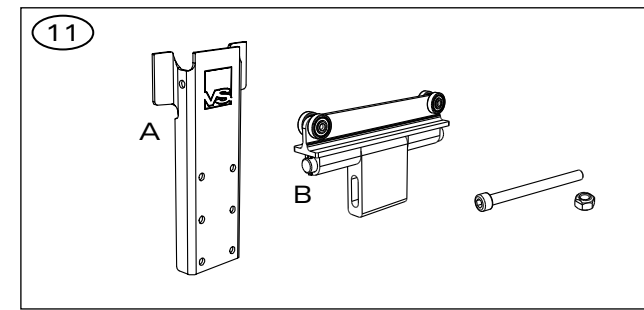
144-10048
Mounting set roof stick
Only for Alto Trike Light



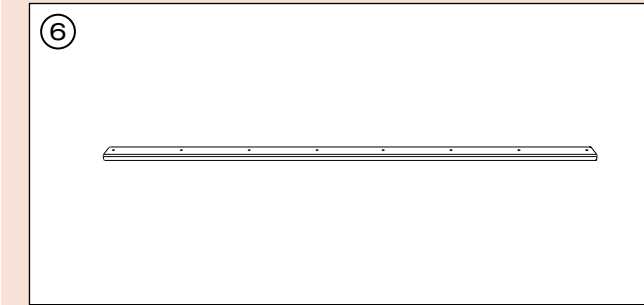
193-18001
Back beam - 208Z



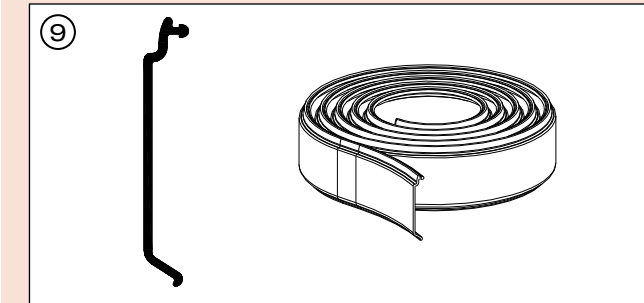
154-03012
Mounting set



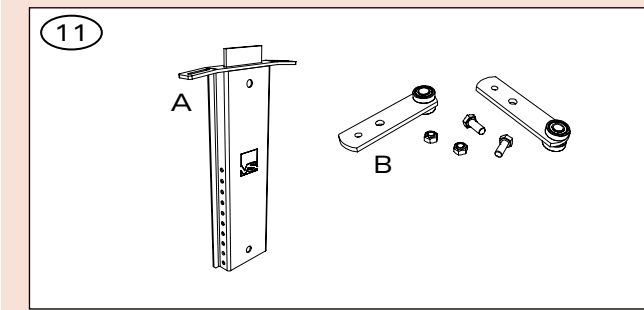
A: **262-05006**: plate straight
B: **264-01001**: bracket
C: **144-10015**: set



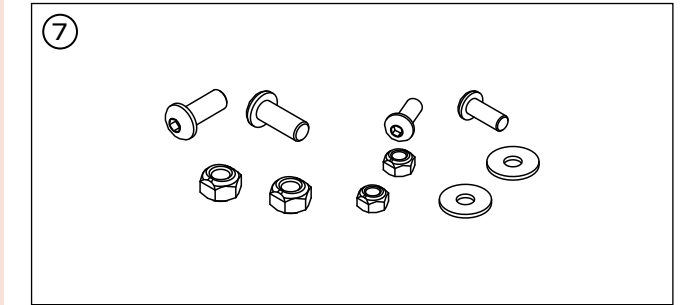
192-01601
Rain strip for back beam



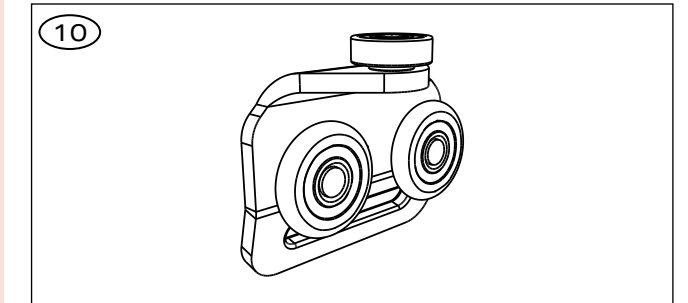
242-14109: PVC pelmet, black, 9m
242-14114: PVC pelmet, black, 14m
242-14128: PVC pelmet, black, 28m



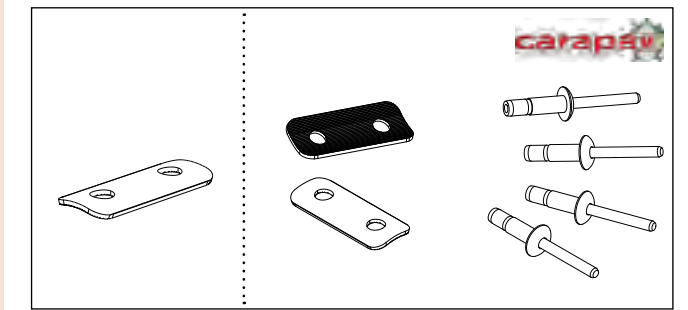
A: **263-02006**: bracket steel
B: **144-10010**: set rollers



144-10022
Bolts for back beam



284-10024
Trike side curtain roller



291-03004: Carapax plate
144-10091: Carapax set / roof stick

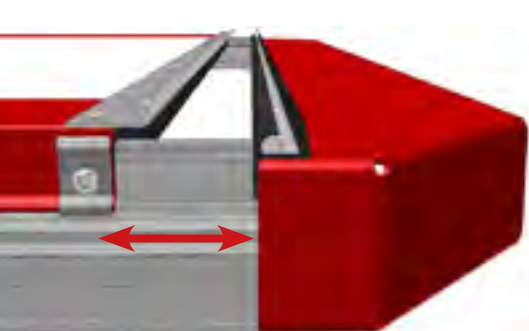


Options for rike roofs

P34 TWIN ROOFS ■ TWIN VERDECKE
P35 TIR ROOFS ■ TIR VERDECKE

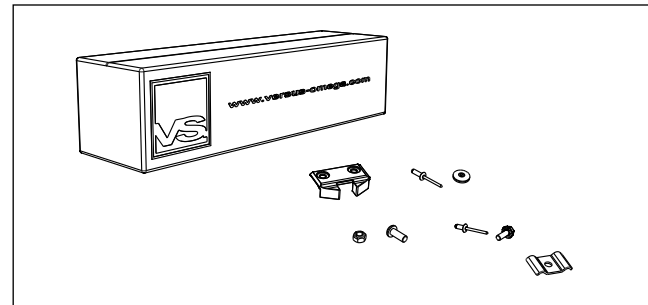
Option ■ Twin

All codes for SW 2550mm

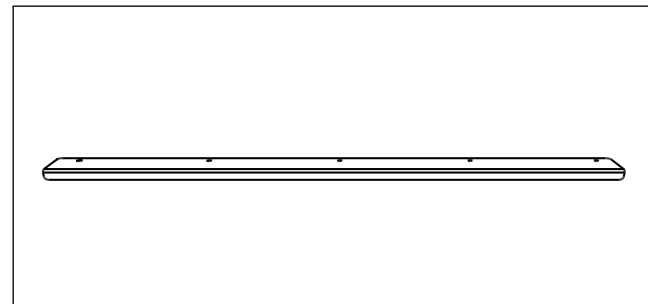


Twin opens from both ends of the vehicle.

Twin öffnet sich von hinten nach vorne und umgekehrt.



144-10082
Set accessories Twin**

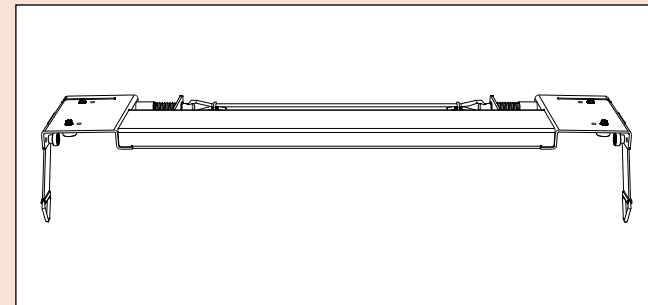


192-01606
Rainstrip for front header

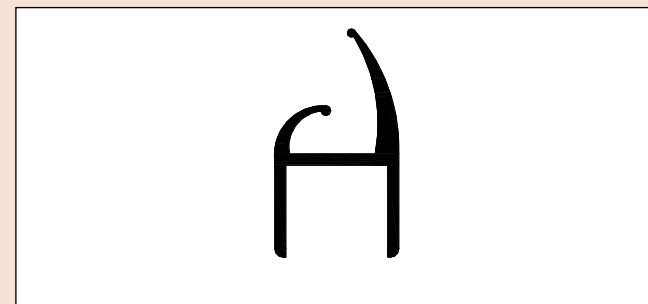
** This set replaces the standard set accessories
The option Twin is available for all types of Trike tracks

ttwin

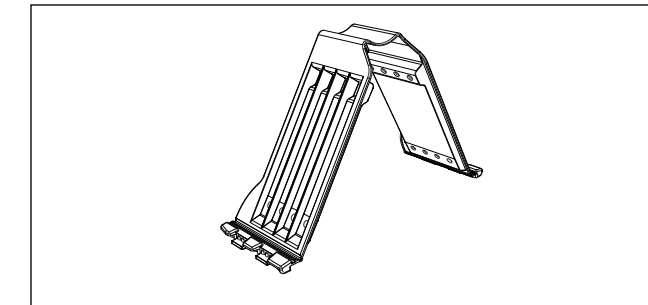
TIR



234-21001
Front header



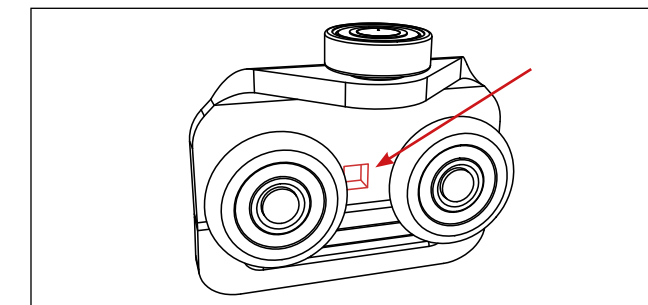
242-20001
PVC



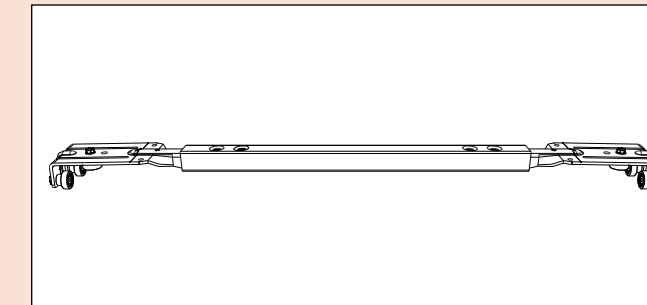
242-01004: Omega folding plate 400mm
242-01005: Omega folding plate 500mm
242-01057: Omega folding plate 570mm



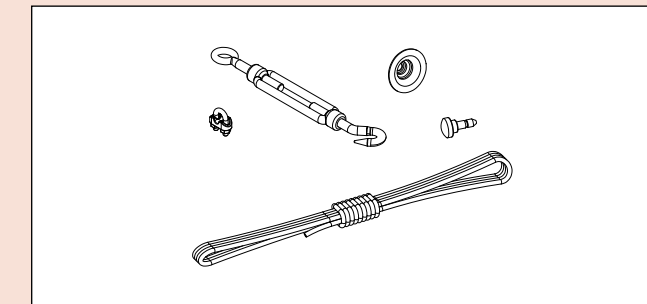
214-77201
Collapsible backside TIR



284-10070
Trike side curtain roller TIR



224-70001
Roof stick TIR, type SP



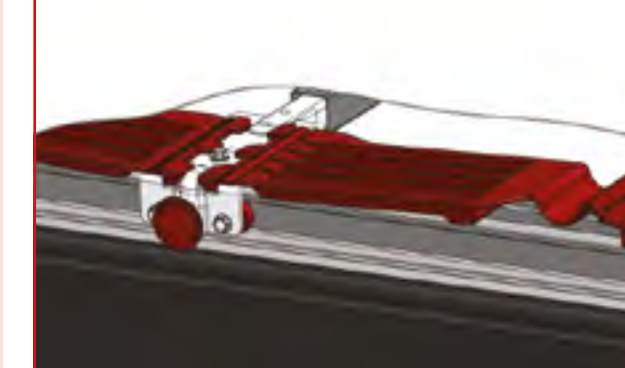
144-10099
Set accessories TIR



The option TIR is available for all types of Trike tracks, but the alto Trike aluminium track is strongly recommended in combination with TIR.

Option ■ TIR

Alle Codes für SB 2550 mm



Easy transit through customs with a completely sealed Cargo.

Einfacher Transit durch den Zoll mit einem komplett geschlossenem Frachtraum.

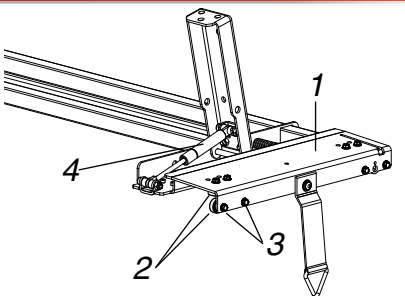


Spare parts

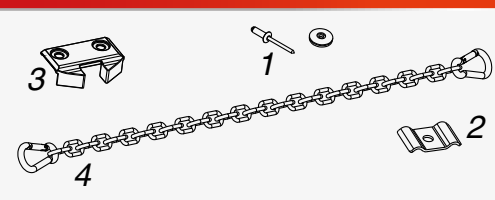
- P38 ROOF STICK | COLLAPSIBLE BACKSIDE
DACHSPRIEGEL | ENDLAUFTEIL
- P39 SET ACCESSORIES | SET ACCESSORIES TIR
ZUBEHÖRSATZ | ZUBEHÖRSATZ TIR
- P40 MOUNTING SETS
MONTAGESATZ

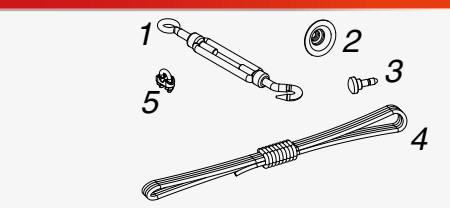
Trike spare parts in bulk packaging

SPARE PARTS ROOF STICK SLIDING ROOF		PART NUMBER	PACK
	1 - assembled bracket	174-02001	
	assembled bracket Anti Fly	174-10001	
	2 - roller bearing plastic	132-01001	
	3 - bolt tensilock M6x16	091-23001	
	4 - tube 30x30x1,5mm L=2185mm	112-01003	

SPARE PARTS COLLAPSIBLE BACKSIDE		PART NUMBER	PACK
	1 - assembled carrier left	204-47201	
	assembled carrier right	204-47202	
	2 - roller bearing steel	132-03001	
	3 - bolt tensilock M6x16	091-23001	
	4 - gas spring 700N	302-01001	

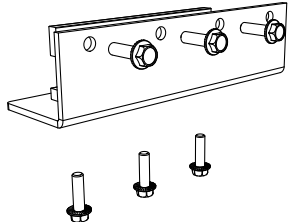
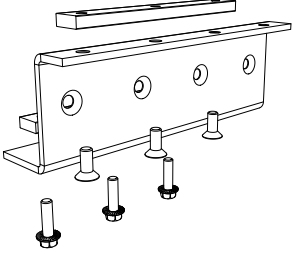
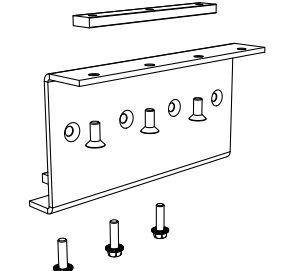
Trike Ersatzteile in Grosspackung

SPARE PARTS SET ACCESSORIES		PART NUMBER	PACK
	1 - package: 50x rivet and washer	144-10003	
	2 - rope clamp	292-01001	
	3 - locking nose	142-05017	
	4 - chain with 2 hooks	142-07001	

SPARE PARTS SET ACCESSORIES TIR		PART NUMBER	PACK
	1 - hook for TIR cable	091-05001	
	2 - TIR shell	292-70007	
	3 - TIR pin	292-70002	
	4 - red TIR cable L=36m	142-03002	
	5 - cable clamp	091-35002	



Trike spare parts in bulk packaging

	SPARE PARTS MOUNTING SET	PART NUMBER	PACK
	kubus Trike & kubus Trike light This set contains: 4x mounting plate 8x mounting block 3xM10 24x bolt M10x35	154-03018 152-01047 152-02001 091-23002	
	duo Trike 120 & duo Trike light This set contains: 4x mounting plate 8x mounting block 3xM10 12x bolt M10x35 12x bolt M10x25	154-03013 152-01033 152-02001 091-23002 091-26002	
	alto Trike 175 & alto Trike light This set contains: 4x mounting plate *** 8x mounting block 3xM10 12x bolt M10x35 12x bolt M10x25	154-03012 152-01032 152-02001 091-23002 091-26002	

Trike Ersatzteile in Grosspackung



Roof construction

sliding roof with 650mm folding plates

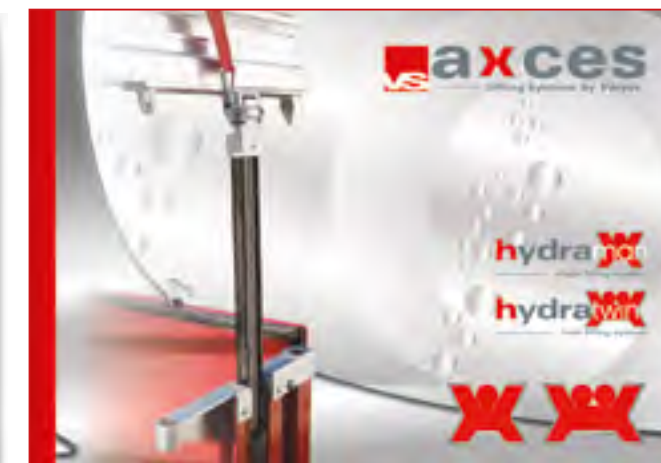
Dachkonstruktion

Schiebeverdeck mit 650mm Faltplatten

PART NUMBER ARTIKELNUMMER	PART UMSCHREIBUNG	LENGTH ALU PROFILE (mm) LÄNGE ALU PROFIL (mm)													PACK PACKUNG
		5370	6020	6670	7320	7970	8620	9270	9920	10570	11220	11800	12125	13170	
		5950	6600	7250	7900	8550	9200	9850	10500	11150	11800	12380	12705	13705	
224-01001	Roof stick standard SP Standard Dachspriegel	8	9	10	11	12	13	14	15	16	17	18	19	20	250
214-47201	Moving part Endlaufteil	1	1	1	1	1	1	1	1	1	1	1	1	1	10
242-01004	Folding plate 400mm Faltplatte 400mm	2	2	2	2	2	2	2	2	2	2	2	2	2	20
242-01065	Folding plate 650mm Faltplatte 650mm	14	16	18	20	22	24	26	28	30	32	34	36	38	500
193-11001 (Kubus) 193-14001 (Duo) 193-18001 (Alto)	Back beam Abschlussholm	1	1	1	1	1	1	1	1	1	1	1	1	1	10
144-10022	Bolts back beam Bolzen Abschlussholm	1	1	1	1	1	1	1	1	1	1	1	1	1	10
192-01061	Galva strip back beam Galva-strip Abschlussholm	1	1	1	1	1	1	1	1	1	1	1	1	1	10
144-01003	Pull bar Zugstange	1	1	1	1	1	1	1	1	1	1	1	1	1	10
144-01500	Webbing pull bar Zugstange mit Band und Ring	1	1	1	1	1	1	1	1	1	1	1	1	1	10
144-10067	Set accessories Zubehörsatz	1	1	1	1	1	1	1	1	1	1	1	1	1	10
WEIGHT - GEWICHT (KG):		78	82	87	91	96	100	105	110	114	119	124	128	132	

Also have a look at our roof system catalogue
and our lifting roof catalogue

Werfen Sie auch einmal einen Blick in unseren Katalog für
Dachsysteme und Hubdächer.





© All rights belong to VERSUS OMEGA NV, including rights of disposal such as copying and transfer rights and patent rights applied for.
Please note copyright statement according to DIN 34!
We reserve the right to modify at any time in the interest of technical advancement.

© Alle Rechte gehören Versus Omega nv, einschließlich der Rechte für beantragte Patente.
Alle Verfügungsbefugnisse, wie Kopie- und Transferrechte gehören zu uns.
Bitte beachten Sie die urheberrechtliche Erklärung nach DIN 34!
Änderungen, die dem technischen Fortschritt dienen, behalten wir uns vor.



Versus Omega
Nijverheidslaan 1527a
3660 Opglabbeek
BELGIUM

Tel. +32 (0)89 320 190 Fax +32 (0)89 320 199
info@versus-omega.com www.versus-omega.com